

NAPOLEON



ELECTRIC BUILT-IN FIREPLACES
napoleonfireplaces.com



Interior space has never been more flexible.

Ascent [™] Electric 33 - BEF33H	4 - 5
Ascent [™] Electric 40 - BEF40H	6 - 7
Cinema [™] 24 - NEFB24H-3A	8 - 9
Cinema [™] 27 - NEFB27H-3A	10 - 11
Cinema [™] 29 - NEFB29H-3A	12 - 13
Woodland [™] Log Inserts - NEFI24H & NEFI27H	14 - 15
Outstanding Features	16
Detailed Specifications	17 - 19



Cinema[™] 29 shown with NIGHT LIGHT[™] set on orange



FIND YOUR HAPPY (fire)PLACE.

Throughout the ages, people have gathered around fires to share in life's greatest joys.

There's just something about the glow of flickering flames that makes special moments feel even warmer.

A Napoleon fireplace is uniquely designed to brighten the vibe of any room in your house. Napoleon has an incredible range of designer options to fit any vision.

A fire not only raises the warmth and ambiance of a room, it can raise the value of your home. A fireplace offers some of the highest returns of any remodeling project. And that should make you feel good all over.

And so you can keep enjoying that positive glow for years and years and years to come, every Napoleon fireplace is backed by a solid warranty.



We are proud to be recognized as one of Canada's Best Managed Companies and are dedicated to providing quality, home comfort products for over 40 years and counting.

Ascent™ Electric 33

Built-In Electric Fireplace

The Napoleon Ascent™ 33 electric fireplace imitates the look of a traditional masonry fireplace but with all the convenience of simply plugging it in, sitting back and enjoying the heat and glowing log set! Napoleon's flame technology randomly adjusts the flame effect, color, height & speed creating the illusion of a true wood burning fire with a modulating ember bed for the realistic glow of burning wood. The ULTRA BRIGHT™ LED lights and convenient remote control enhance the allure of the Ascent™ 33 electric fireplace. Perfect for any room in a house, condo, apartment or office.

BEF33H

5,000 BTU's

1,500 Watts

25½"h x 34"w x 9½"d

For more detailed specifications, see page 17

LOW ENERGY
LED
HIGH INTENSITY

Features & Accessories



Remote Control



Side Brick Panel Detail



Self Trimming Flange



Non-Reflective Backing



Ascent™ 33 shown with NIGHT LIGHT™ set on orange





Ascent[™] 33 shown with NIGHT LIGHT[™] set on blue



NIGHT LIGHT[™]
Blue, Clear, Orange and Purple



Ascent™ Electric 40

Built-In Electric Fireplace

The Ascent™ 40 electric fireplace offers all the same great features as the Ascent™ Electric 33 with a larger, more impressive viewing area. The randomly adjusting flame, ULTRA BRIGHT™ LED lights and realistic glow make it a perfect choice for a larger room.

BEF40H

5,000 BTU's

1,500 Watts

31¾" h x 40¾" w x 14" d

For more detailed specifications, see page 17

LOW ENERGY
LED
HIGH INTENSITY

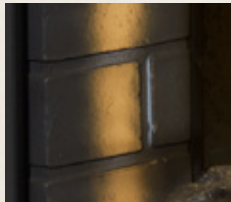


Ascent™ 40 shown with NIGHT LIGHT™ set on orange

Features & Accessories



Remote Control



Side Brick Panel Detail



Self Trimming Flange



Non-Reflective Backing



Ascent™ 40 shown with NIGHT LIGHT™ set on purple



NIGHT LIGHT™
Blue, Clear, Orange and Purple



Cinema™ 24

Built-In Electric Fireplace

The Cinema™ 24 creates an inviting space with 5,100 BTU's of warmth and no need for venting. Plug in and enjoy this fireplace right away and create a rich focal point in your space. The realistic log bed glows just like real burning logs, and when turned off, fades just like a real dying fire. Fully customize your electric fireplace with adjustable flame brightness and heat intensity to perfectly set the mood, no matter where you put it.

NEFB24H-3A

5,100 BTU's

1,500 Watts

17½"h x 24"w x 8½"d

For more detailed specifications, see page 17

LOW ENERGY
LED
HIGH INTENSITY

Features & Accessories



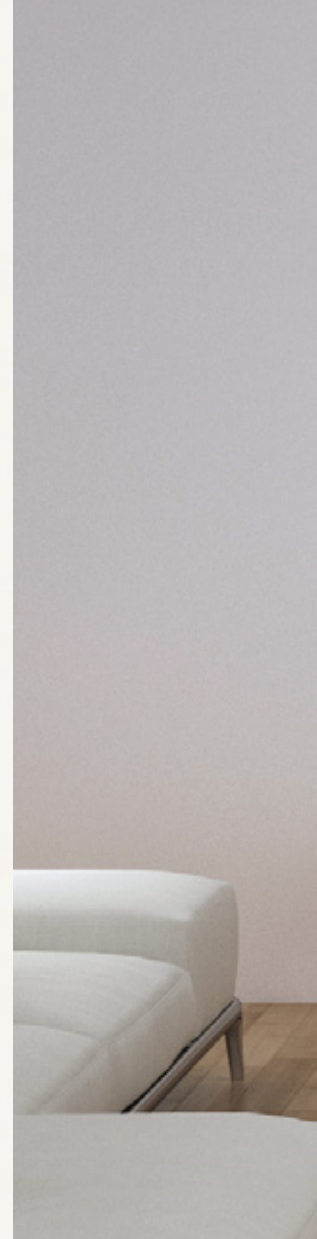
Remote Control



Realistic Logs and
Ember Bed



Self Trimming Flange





The Cinema™ 24 shown



Cinema™ 27

Built-In Electric Fireplace

Make your living space inviting with the warm glow from the Napoleon Cinema™ 27 electric fireplace. This fireplace doesn't need venting and will still fill your room with 5,100 BTU's of warmth. For a modern feel, inset your electric fireplace into the wall. The realistic log bed glows just like real burning logs, and when turned off, fades just like a real dying fire. Adjustable flame brightness and heat intensity let you control the mood. Perfect your space with a Cinema™ 27 built-in electric fireplace.

NEFB27H-3A

5,100 BTU's

1,500 Watts

18¾"h x 27"w x 9½"d

For more detailed specifications, see page 18

LOW ENERGY
LED
HIGH INTENSITY

Features & Accessories



Remote Control



Realistic Logs and
Ember Bed

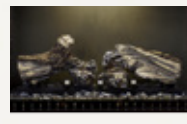


Self Trimming Flange





Cinema™ 27 shown



NIGHT LIGHT™
Blue, Clear, Orange and Multi-Color Circulating Mode

NIGHT LIGHT™
Can be used independently



Cinema™ 29

Built-In Electric Fireplace

Imagine completely transforming your living space just by plugging an appliance in. With the Napoleon Cinema™ 29 electric fireplace you can do just that. The realistic log bed glows just like real burning logs, and when turned off, fades just like a real dying fire. Set the mood instantly with complete control over flame and ember lights, heat intensity and even set the NIGHT LIGHT™ for added ambiance. Napoleon's Cinema™ 29 built-in electric fireplace adds class to your décor, no matter where you put it.

NEFB29H-3A

5,100 BTU's

1,500 Watts

20½"h x 29"w x 9½"d

For more detailed specifications, see page 18

LOW ENERGY
LED
HIGH INTENSITY

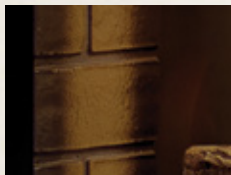


Cinema™ 29 shown with NIGHT LIGHT™ set on orange

Features & Accessories



Remote Control



Brick Side Panel Detail



Realistic Logs and
Ember Bed



Self Trimming Flange



Cinema™ 29 shown with NIGHT LIGHT™ set circulating multi-color



NIGHT LIGHT™
Blue, Clear, Orange and Cirulating Multi-Color

NIGHT LIGHT™
Can be used independently



Woodland™ Series

Electric Log Sets

The Woodland™ Series are electric log sets used in an insert style installation, just plug in and place in a pre-existing masonry fireplace. Backed by over 40 years of experience working with real flames, Napoleon is applying that knowledge to their rapidly growing electric fireplace line. These beautifully designed electric log sets offer authentic glowing logs and realistic flames. The Woodland™ series electric log sets come in two sizes and allows you to enjoy the look and ambiance of a gas or wood fireplace without any mess, fuss or costly installation fees.

NEFI24H

5,000 BTU's

1,500 Watts

14 $\frac{1}{16}$ "h x 24"w x 14 $\frac{1}{16}$ "d

NEFI27H

5,000 BTU's

1,500 Watts

15 $\frac{9}{16}$ "h x 26 $\frac{3}{8}$ "w x 14 $\frac{1}{16}$ "d

For more detailed specifications, see pages 18 - 19

LOW ENERGY
LED
HIGH INTENSITY

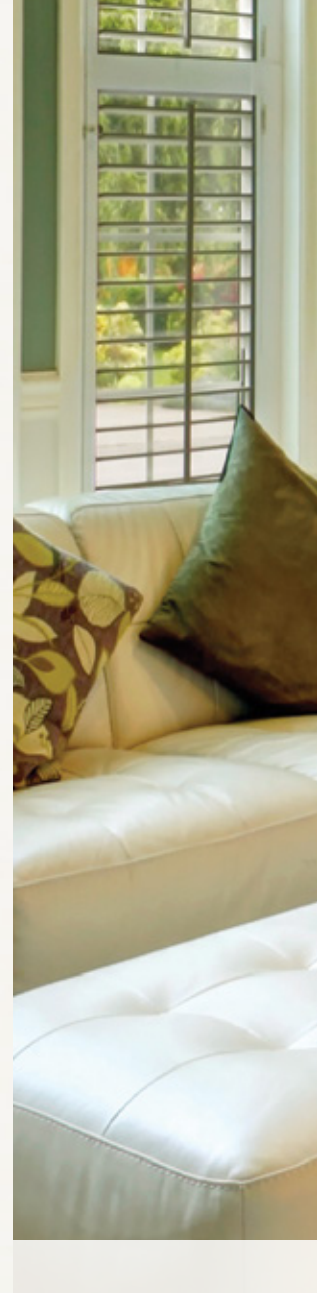
Features & Accessories



Remote Control



Woodland™ 27 shown



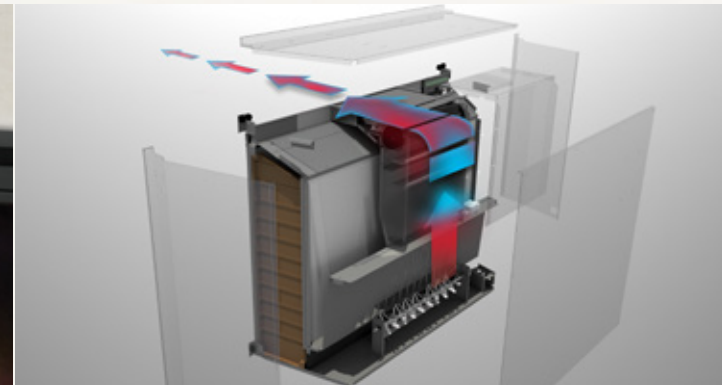


Woodland[®] 24 shown



Outstanding Features

of Napoleon's Advanced Technology



Reliable LED Technology

Napoleon's electric fireplaces offer reliable LED technology for added convenience. LED lights are extremely energy efficient and long-lasting saving you the hassle of having to change out light bulbs. Plus LED lights are high intensity providing a product you can enjoy during both day and night time.

Self Trimming

A self trimming flange on all of Napoleon's electric built-in fireplaces guarantees an easy installation and removes the difficulty of needing a perfect cut on your surrounding material. The self trimming flange provides a perfect clean finish every time.

Small Details - Big Impact

Napoleon's non-reflective backing allows the fireplace flames to stand out while minimizing distracting reflections from the surrounding room. With flames, logs and ember beds this realistic, you're sure to fully enjoy them.

Front Heat

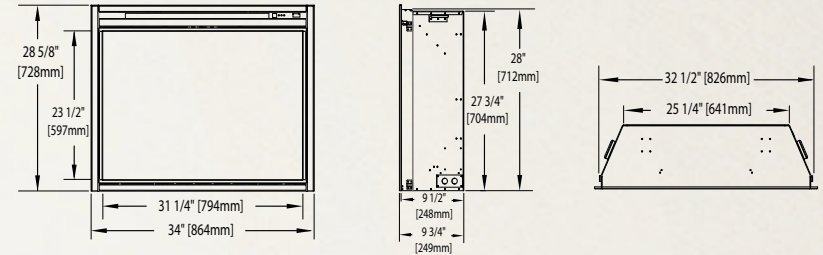
Napoleon's built-in electric fireplaces are designed to blow heat out the front of the unit allowing a more efficient and direct route to zone heating your room.

Transformation

All Napoleon's built-in products, including the Ascent™ series, Cinema™ series and Woodland™ log sets series, allow an affordable and quick transformation of an old masonry opening into a beautiful new fireplace and eliminates the chore of cleaning dirt and ashes of a traditional wood fireplace.

Ascent™ 33
BEF33H

Shown on pages 4 & 5

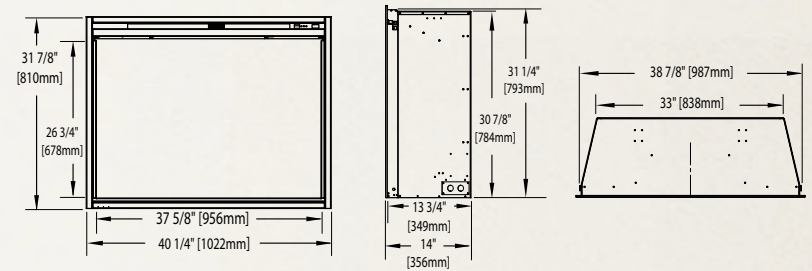


Model	BTU's	Watts	Height		Front Width		Depth		Installation	Mobile Home Certified	Blower	Remote Control	Ember Bed	
			Actual	Framing	Actual	Framing	Actual	Framing					Logs	Glass
BEF33H	5,000	1,500	28 5/8"	28 1/2"	34"	33 1/4"	9.5"	10"	Insert	Yes	Standard	Standard	Standard	N/A

Certified under Canadian and American National Standards.

Ascent™ 40
BEF40H

Shown on pages 6 & 7

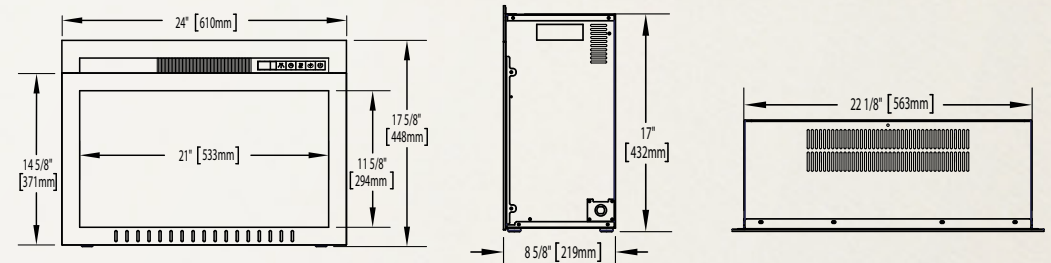


Model	BTU's	Watts	Height		Front Width		Depth		Installation	Mobile Home Certified	Blower	Remote Control	Ember Bed	
			Actual	Framing	Actual	Framing	Actual	Framing					Logs	Glass
BEF40H	5,000	1,500	31 7/8"	31 3/8"	40 1/4"	39 1/2"	14"	14 1/2"	Insert	Yes	Standard	Standard	Standard	N/A

Certified under Canadian and American National Standards.

Cinema™ 24
NEFB24H-3A

Shown on pages 8 & 9



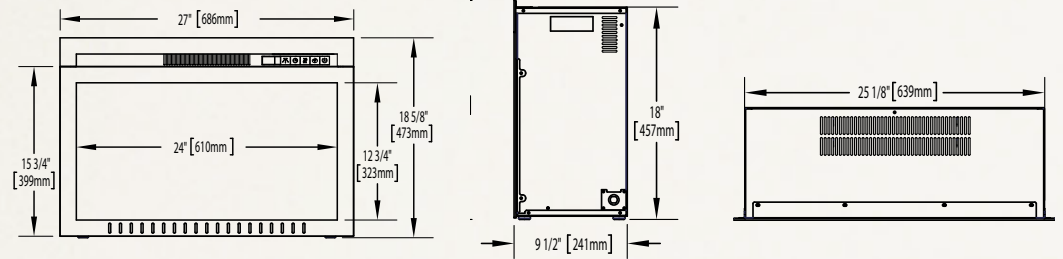
Model	BTU's	Watts	Height		Front Width		Depth		Installation	Mobile Home Certified	Blower	Remote Control	Ember Bed	
			Actual	Framing	Actual	Framing	Actual	Framing					Logs	Glass
NEFB24H-3A	5,100	1,500	17 5/8"	17 1/4"	24"	23"	8 5/8"	9"	Insert	Yes	Standard	Standard	Standard	N/A

Certified under Canadian and American National Standards.

Figures may vary with individual conditions such as floor plan layout, insulation value/heat loss of the house and geographical location. Measurements to be used as a guide only. Consult your owner's manual for complete and up-to-date installation instructions and proper clearances to combustible materials.

Cinema™ 27
NEFB27H-3A

Shown on pages 10 & 11

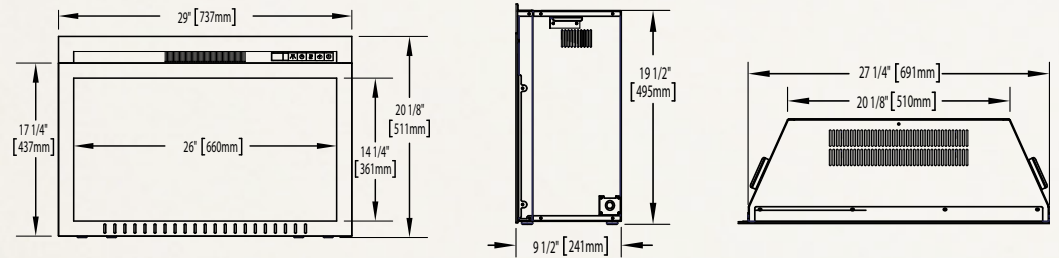


Model	BTU's	Watts	Height		Front Width		Depth		Installation	Mobile Home Certified	Blower	Remote Control	Ember Bed	
			Actual	Framing	Actual	Framing	Actual	Framing					Logs	Glass
NEFB27H-3A	5,100	1,500	18 1/16"	18 1/4"	27"	26"	9 1/2"	10"	Insert	Yes	Standard	Standard	Standard	N/A

Certified under Canadian and American National Standards.

Cinema™ 29
NEFB29H-3A

Shown on pages 12 & 13

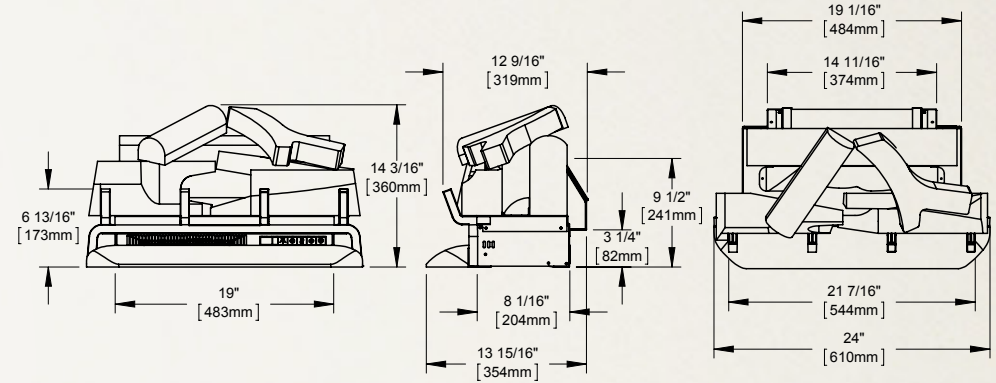


Model	BTU's	Watts	Height		Front Width		Depth		Installation	Mobile Home Certified	Blower	Remote Control	Ember Bed	
			Actual	Framing	Actual	Framing	Actual	Framing					Logs	Glass
NEFB29H-3A	5,100	1,500	20 1/8"	19 3/4"	29"	28"	9 1/2"	10"	Insert	Yes	Standard	Standard	Standard	N/A

Certified under Canadian and American National Standards.

Figures may vary with individual conditions such as floor plan layout, insulation value/heat loss of the house and geographical location. Measurements to be used as a guide only. Consult your owner's manual for complete and up-to-date installation instructions and proper clearances to combustible materials.

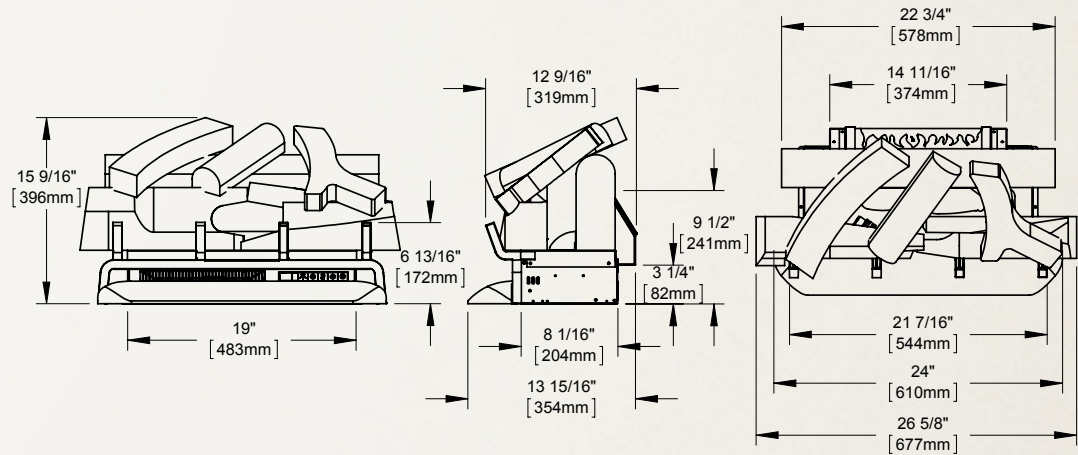
Woodland™ 24
NEFI24H
 Shown on pages 14 & 15



Model	BTU's	Watts	Height	Front Width	Depth	Installation	Mobile Home Certified	Blower	Remote Control
NEFI24H	5,000	1,500	14 3/16"	24"	14 1/16"	Insert	Yes	Standard	Standard

Certified under Canadian and American National Standards.

Woodland™ 27
NEFI27H
 Shown on pages 14 & 15



Model	BTU's	Watts	Height	Front Width	Depth	Installation	Mobile Home Certified	Blower	Remote Control
NEFI27H	5,000	1,500	15 9/16"	26 5/8"	14 1/16"	Insert	Yes	Standard	Standard

Certified under Canadian and American National Standards.

Figures may vary with individual conditions such as floor plan layout, insulation value/heat loss of the house and geographical location. Measurements to be used as a guide only. Consult your owner's manual for complete and up-to-date installation instructions and proper clearances to combustible materials.



NAPOLEON - CELEBRATING OVER 40 YEARS OF HOME COMFORT PRODUCTS



24 Napoleon Road, Barrie, Ontario, Canada L4M 0G8
103 Miller Drive, Crittenden, Kentucky, USA 41030
7200 Trans Canada Highway, Montreal, Quebec, Canada H4T 1A3

Tell: 705-721-1212 Fax: 705-722-6031
napoleonfireplaces.com

Authorized Dealer



Consult your owner's manual for complete installation instructions, accurate framing dimensions and proper clearances to combustible material. Check all local and national building codes. All specifications are subject to change without prior notice due to on-going product improvements. Products may not be exactly as shown. Napoleon is a registered trademark of Wolf Steel Ltd. © Wolf Steel inc.