

**INSTALLER: LEAVE THIS MANUAL WITH THE APPLIANCE.
 CONSUMER: RETAIN THIS MANUAL FOR FUTURE REFERENCE.
 NEVER LEAVE CHILDREN OR OTHER AT RISK INDIVIDUALS ALONE WITH THE APPLIANCE**



INSTALLATION AND OPERATING INSTRUCTIONS

CONFORMS TO AMERICAN NATIONAL STANDARDS: ANSI Z21.50, CERTIFIED TO CANADIAN CSA 2.22 FOR VENTED GAS FIREPLACES.

EN

FR
PG
65

CERTIFIED FOR CANADA AND UNITED STATES USING ANSI/CSA METHODS.

SAFETY INFORMATION

! WARNING

If the information in these instructions are not followed exactly, a fire or explosion may result causing property damage, personal injury or loss of life.

- Do not store or use gasoline or other flammable vapors and liquids in the vicinity of this or any other appliance.
- **WHAT TO DO IF YOU SMELL GAS:**
 - Do not try to light any appliance.
 - Do not touch any electrical switch; do not use any phone in your building.
 - Immediately call your gas supplier from a neighbour's phone. Follow the gas supplier's instructions.
 - If you cannot reach your gas supplier, call the fire department.
- Installation and service must be performed by a qualified installer, service agency or the supplier.

This appliance may be installed in an aftermarket, permanently located, manufactured home (USA only) or mobile home, where not prohibited by local codes.

This appliance is only for use with the type of gas indicated on the rating plate. This appliance is not convertible for use with other gases, unless a certified kit is used.

Decorative Product: Not for use as a heating appliance.



BARRIER

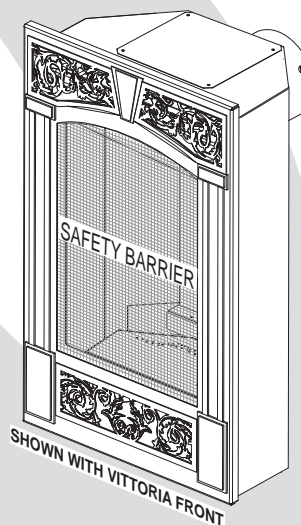


GD19-1N

NATURAL GAS

GD19-1P

PROPANE



! WARNING



HOT GLASS WILL CAUSE BURNS.

DO NOT TOUCH GLASS UNTIL COOLED.

NEVER ALLOW CHILDREN TO TOUCH GLASS.

A barrier designed to reduce the risk of burns from the hot viewing glass is provided with the appliance and shall be installed.

Wolf Steel Ltd., 24 Napoleon Rd., Barrie, ON, L4M 0G8 Canada /
 103 Miller Drive, Crittenden, Kentucky, USA, 41030

Phone (705)721-1212 • Fax (705)722-6031 • www.napoleonfireplaces.com • ask@napoleonproducts.com

\$10.00

1.28E

W415-1351 / 08.29.14

TABLE OF CONTENTS

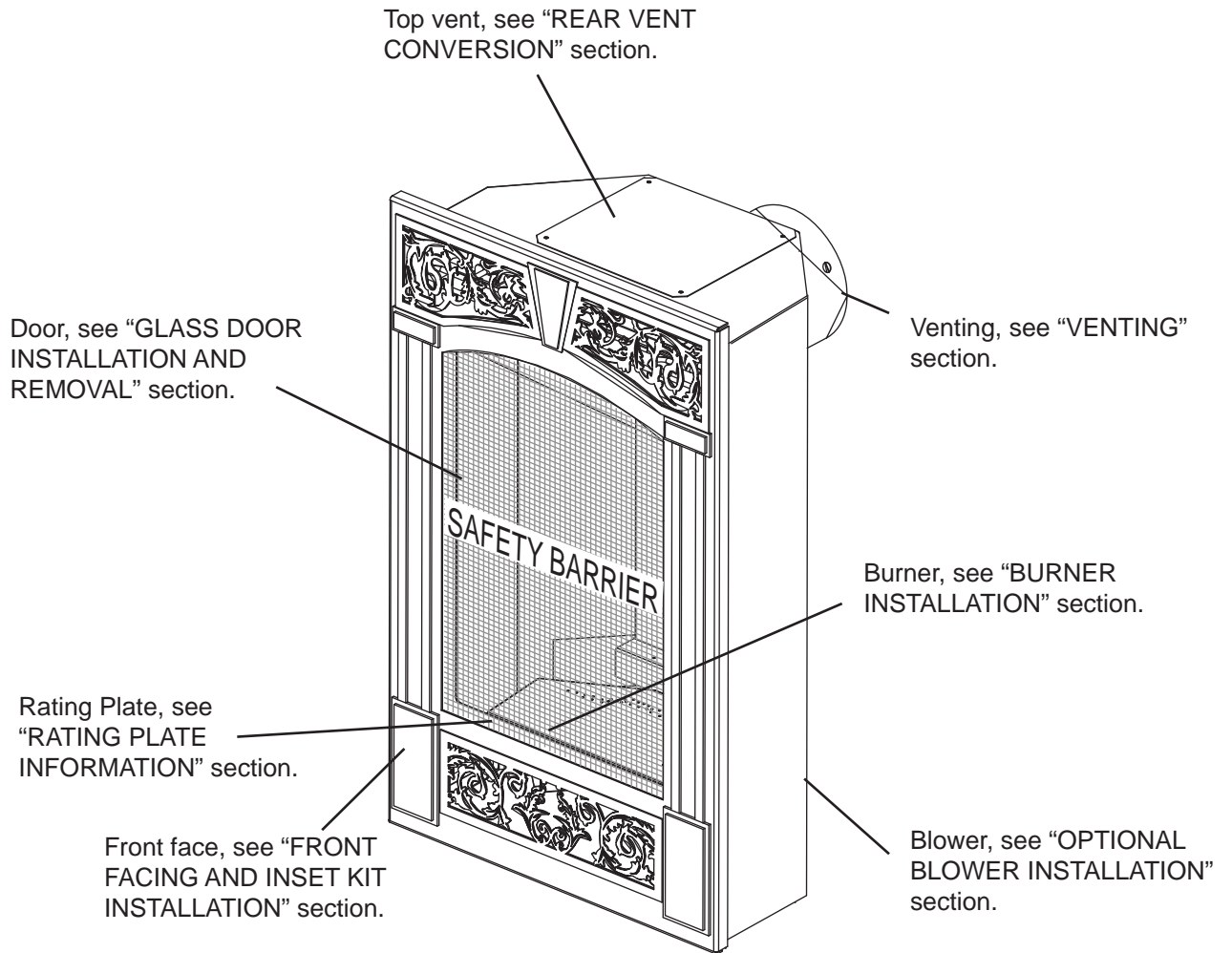


NOTE: The camera icon indicates video tutorials are available as additional reference, visit <http://www.napoleonfireplaces.com/category/product-support/support-centre/>

1.0	INSTALLATION OVERVIEW	3
2.0	INTRODUCTION	4
2.1	DIMENSIONS	5
2.2	GENERAL INSTRUCTIONS	6
2.3	GENERAL INFORMATION	7
2.4	RATING PLATE INFORMATION	7
3.0	VENTING	8
3.1	VENTING LENGTHS AND COMPONENTS	8
3.2	TYPICAL VENT INSTALLATION	9
3.3	SPECIAL VENT INSTALLATIONS	11
3.3.1	PERISCOPE TERMINATION	11
3.3.2	CORNER TERMINATION	11
3.4	VENT TERMINAL CLEARANCES	12
3.5	VENTING APPLICATION FLOW CHART	13
3.6	DEFINITIONS	13
3.7	ELBOW VENT LENGTH VALUES	14
3.8	TOP EXIT HORIZONTAL TERMINATION	14
3.9	REAR EXIT HORIZONTAL TERMINATION	16
3.10	TOP OR REAR EXIT VERTICAL TERMINATION	18
3.11	REAR VENT CONVERSION	21
4.0	INSTALLATION	22
4.1	WALL AND CEILING PROTECTION	22
4.1.1	HORIZONTAL INSTALLATION	23
4.1.2	VERTICAL INSTALLATION	23
4.2	USING FLEXIBLE VENT COMPONENTS	24
4.2.1	HORIZONTAL AIR TERMINAL INSTALLATION	24
4.2.2	VERTICAL AIR TERMINAL INSTALLATION	25
4.2.3	APPLIANCE VENT CONNECTION	26
4.3	USING RIGID VENT COMPONENTS	26
4.3.1	HORIZONTAL AIR TERMINAL INSTALLATION	27
4.3.2	EXTENDED HORIZONTAL AND CORNER AIR TERMINAL INSTALLATION	27
4.3.3	VERTICAL AIR TERMINAL INSTALLATION	28
4.4	VERTICAL THROUGH EXISTING CHIMNEY	29
4.5	MOBILE HOME INSTALLATION	30
4.6	GAS INSTALLATION	31
4.7	OPTIONAL WALL SWITCH	31
5.0	FRAMING	32
5.1	MINIMUM CLEARANCE TO COMBUSTIBLES	33
5.1.1	REAR VENT	34
5.1.2	TOP VENT	34
5.2	MINIMUM CLEARANCE TO COMBUSTIBLE ENCLOSURES	35
5.3	MINIMUM MANTEL CLEARANCES	36
5.4	NON-COMBUSTIBLE FACING MATERIAL	36
6.0	ELECTRICAL CONNECTION	37
7.0	WIRING DIAGRAM	38
8.0	FINISHING	39
8.1	FRONT FACING KIT INSTALLATION	39
8.2	CONTEMPORARY FRONT FACING KIT INSTALLATION	41
8.3	SAFETY SCREEN & GLASS DOOR	42
8.4	LOGO PLACEMENT	43
8.5	BURNER INSTALLATION	43
8.6	REMOTE RECEIVER PLACEMENT	43
9.0	OPTIONAL BLOWER INSTALLATION	44
10.0	OPERATION	45
10.1	CONTROL FUNCTIONS	46
11.0	ADJUSTMENTS	46
11.1	PILOT INJECTOR AND ORIFICE REPLACEMENT	46
11.2	PRESSURE CHECK	47
11.3	RESTRICTING VERTICAL VENTS	47
12.0	MAINTENANCE	48
12.1	ANNUAL MAINTENANCE	48
12.2	DOOR GLASS REPLACEMENT	49
12.3	CARE OF GLASS	49
12.4	NIGHT LIGHT™ REPLACEMENT	50
12.4.1	BULB REPLACEMENT	50
12.4.2	LENS ASSEMBLY INSTALLATION	50
12.4.3	LENS ASSEMBLY REPLACEMENT	50
13.0	REPLACEMENTS	51
14.0	OVERVIEW	52
15.0	ACCESSORIES	53
16.0	VALVE TRAIN ASSEMBLY	54
17.0	B19NL LOG BURNER	55
18.0	B19NL ROCK BURNER	56
19.0	VENTING	57
20.0	TROUBLESHOOTING	58
21.0	WARRANTY	61
22.0	SERVICE HISTORY	62
23.0	NOTES	63

NOTE: Changes, other than editorial, are denoted by a vertical line in the margin.

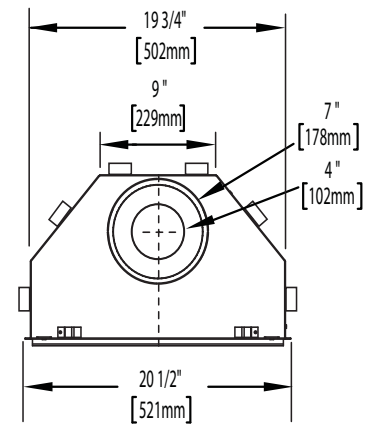
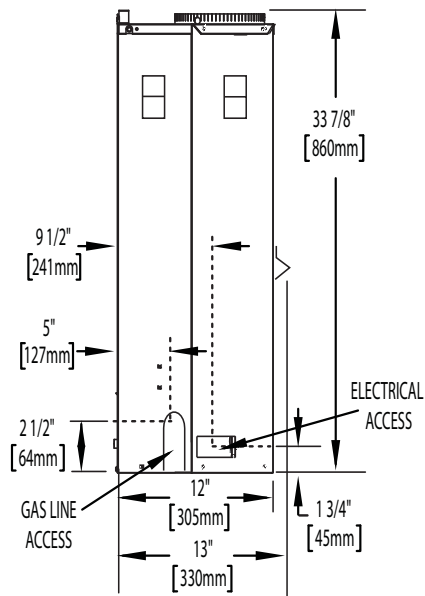
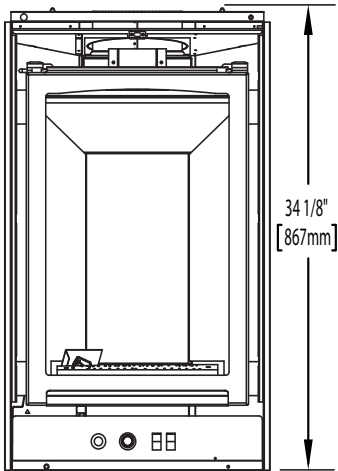
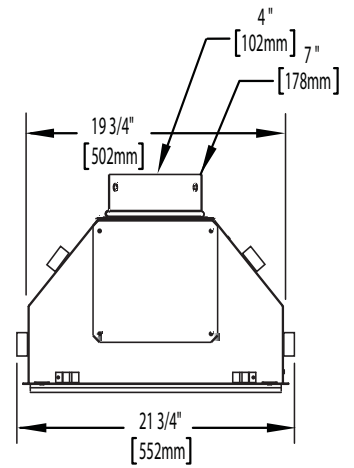
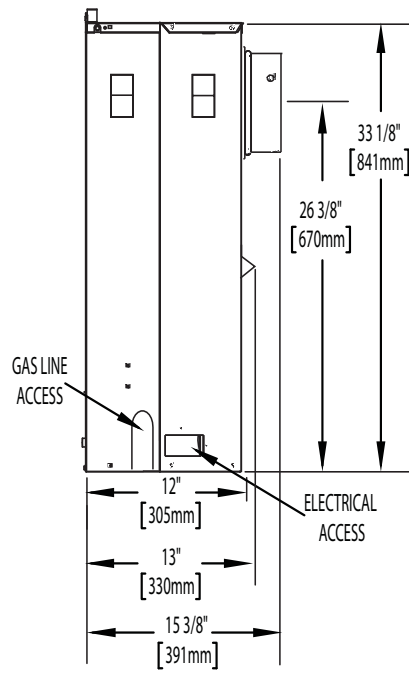
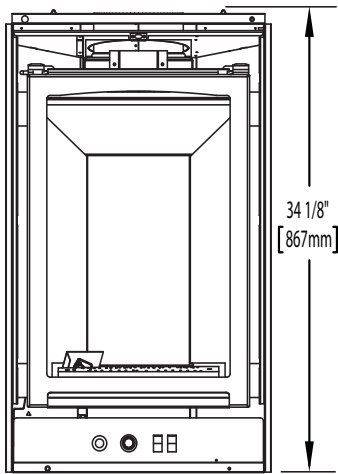
1.0 INSTALLATION OVERVIEW




WARNING

- **THIS APPLIANCE IS HOT WHEN OPERATED AND CAN CAUSE SEVERE BURNS IF CONTACTED.**
- **ANY CHANGES OR ALTERATIONS TO THIS APPLIANCE OR ITS CONTROLS CAN BE DANGEROUS AND IS PROHIBITED.**
- Do not operate appliance before reading and understanding operating instructions. Failure to operate appliance according to operating instructions could cause fire or injury.
- Risk of fire or asphyxiation do not operate appliance with fixed glass removed.
- Do not connect 110 volts to the control valve.
- Risk of burns. The appliance should be turned off and cooled before servicing.
- Do not install damaged, incomplete or substitute components.
- Risk of cuts and abrasions. Wear protective gloves and safety glasses during installation. Sheet metal edges may be sharp.
- Do not burn wood or other materials in this appliance.
- **Children and adults should be alerted to the hazards of high surface temperature and should stay away to avoid burns or clothing ignition.**
- **Young children should be carefully supervised when they are in the same room as the appliance. Toddlers, young children and others may be susceptible to accidental contact burns. A physical barrier is recommended if there are at risk individuals in the house. To restrict access to an appliance, install an adjustable safety gate to keep toddlers, young children and other at risk individuals out of the room and away from hot surfaces.**
- **Clothing or other flammable material should not be placed on or near the appliance.**
- **Due to high temperatures, the appliance should be located out of traffic and away from furniture and draperies.**
- Ensure you have incorporated adequate safety measure to protect infants/toddlers from touching hot surfaces.
- Even after the appliance is out, the glass and/or screen will remain hot for an extended period of time.
- Check with your local hearth specialty dealer for safety screens and hearth guards to protect children from hot surfaces. These screens and guards must be fastened to the floor.
- **Any safety screen, guard or barrier removed for servicing the appliance, must be replaced prior to operating the appliance.**
- The appliance is a vented gas-fired appliance. Do not burn wood or other materials in the appliance
- It is imperative that the control compartments, burners and circulating blower and its passageway in the appliance and venting system are kept clean. The appliance and its venting system should be inspected before use and at least annually by a qualified service person. More frequent cleaning may be required due to excessive lint from carpeting, bedding material, etc. The appliance area must be kept clear and free from combustible materials, gasoline and other flammable vapors and liquids.
- Under no circumstances should this appliance be modified.
- This appliance must not be connected to a chimney flue pipe serving a separate solid fuel burning appliance.
- Do not use this appliance if any part has been under water. Immediately call a qualified service technician to inspect the appliance and to replace any part of the control system and any gas control which has been under water.
- Do not operate the appliance with the glass door removed, cracked or broken. Replacement of the glass should be done by a licensed or qualified service person.
- Do not strike or slam shut the appliance glass door.
- When equipped with pressure relief doors, they must be kept closed while the appliance is operating to prevent exhaust fumes containing carbon monoxide, from entering into the home. Temperatures of the exhaust escaping through these openings can also cause the surrounding combustible materials to overheat and catch fire.
- **Only doors / optional fronts certified with the appliance are to be installed on the appliance.**
- Keep the packaging material out of reach of children and dispose of the material in a safe manner. As with all plastic bags, these are not toys and should be kept away from children and infants.
- As with any combustion appliance, we recommend having your appliance regularly inspected and serviced as well as having a Carbon Monoxide Detector installed in the same area to defend you and your family against Carbon Monoxide.
- Ensure clearances to combustibles are maintained when building a mantel or shelves above the appliance. Elevated temperatures on the wall or in the air above the appliance can cause melting, discolouration or damage of decorations, a T.V. or other electronic components.
- **A barrier designed to reduce the risk of burns from the hot viewing glass is provided with this appliance and shall be installed.**
- **If the barrier becomes damaged, the barrier shall be replaced with the manufacturer's barrier for this appliance.**
- **Installation and repair should be done by a qualified service person. The appliance should be inspected before use and at least annually by a professional service person. More frequent cleaning may be required due to excessive lint from carpeting, bedding material, etc. It is imperative that control compartments, burners and circulating air passageways of the appliance be kept clean.**

2.1 DIMENSIONS



2.2 GENERAL INSTRUCTIONS

EN

! WARNING
ALWAYS LIGHT THE PILOT WHETHER FOR THE FIRST TIME OR IF THE GAS SUPPLY HAS RUN OUT, WITH THE GLASS DOOR OPENED OR REMOVED.
PROVIDE ADEQUATE CLEARANCE FOR SERVICING AND OPERATING THE APPLIANCE.
PROVIDE ADEQUATE VENTILATION.
NEVER OBSTRUCT THE FRONT OPENING OF THE APPLIANCE.
OBJECTS PLACED IN FRONT OF THE APPLIANCE MUST BE KEPT A MINIMUM OF 48" (1219mm) FROM THE FRONT FACE OF THE APPLIANCE.
SURFACES AROUND AND ESPECIALLY ABOVE THE APPLIANCE CAN BECOME HOT. AVOID CONTACT WHEN THE APPLIANCE IS OPERATING.
FIRE RISK. EXPLOSION HAZARD.
HIGH PRESSURE WILL DAMAGE VALVE. DISCONNECT GAS SUPPLY PIPING BEFORE PRESSURE TESTING GAS LINE AT TEST PRESSURES ABOVE 1/2 PSIG. CLOSE THE MANUAL SHUT-OFF VALVE BEFORE PRESSURE TESTING GAS LINE AT TEST PRESSURES EQUAL TO OR LESS THAN 1/2 PSIG (35 mb).
USE ONLY WOLF STEEL APPROVED OPTIONAL ACCESSORIES AND REPLACEMENT PARTS WITH THIS APPLIANCE. USING NON-LISTED ACCESSORIES (BLOWERS, DOORS, LOUVRES, TRIMS, GAS COMPONENTS, VENTING COMPONENTS, ETC.) COULD RESULT IN A SAFETY HAZARD AND WILL VOID THE WARRANTY AND CERTIFICATION.

THIS GAS APPLIANCE SHOULD BE INSTALLED AND SERVICED BY A QUALIFIED INSTALLER to conform with local codes. Installation practices vary from region to region and it is important to know the specifics that apply to your area, for example in Massachusetts State:

- This product must be installed by a licensed plumber or gas fitter when installed within the commonwealth of Massachusetts.
- The appliance damper must be removed or welded in the open position prior to installation of an appliance insert or gas log.
- The appliance off valve must be a "T" handle gas cock.
- The flexible connector must not be longer than 36 inches (914mm).
- A Carbon Monoxide detector is required in all rooms containing gas fired appliances.
- The appliance is not approved for installation in a bedroom or bathroom unless the unit is a direct vent sealed combustion product.

The installation must conform with local codes or, in absence of local codes, the National Gas and Propane Installation Code CSA B149.1 in Canada, or the National Fuel Gas Code, ANSI Z223.1 / NFPA 54 in the United States. Suitable for mobile home installation if installed in accordance with the current standard CAN/CSA Z240MH Series, for gas equipped mobile homes, in Canada or ANSI Z223.1 and NFPA 54 in the United States.

As long as the required clearance to combustibles is maintained, the most desirable and beneficial location for an appliance is in the center of a building, thereby allowing the most efficient use of the heat created.

The location of windows, doors and the traffic flow in the room where the appliance is to be located should be considered. If possible, you should choose a location where the vent will pass through the house without cutting a floor or roof joist.

If the appliance is installed directly on carpeting, vinyl tile or other combustible material other than wood flooring, the appliance shall be installed on a metal or wood panel extending the full width and depth.

Some appliances have optional fans or blowers. If an optional fan or blower is installed, the junction box must be electrically connected and grounded in accordance with local codes, use the current CSA C22.1 Canadian Electrical Code in Canada or the ANSI/NFPA 70 National Electrical code in the United States.

**NATIONAL
FIREPLACE
INSTITUTE**



CERTIFIED

www.nficerified.org

We suggest that our gas hearth products be installed and serviced by professionals who are certified in the U.S. by the National Fireplace Institute® (NFI) as NFI Gas Specialists

2.3 GENERAL INFORMATION

FOR YOUR SATISFACTION, THIS APPLIANCE HAS BEEN TEST-FIRED TO ASSURE ITS OPERATION AND QUALITY!

RATES AND EFFICIENCIES		
	NATURAL GAS	PROPANE GAS
Altitude	0 - 4,500*	0 - 4,500*
Maximum Input	11,500	11,000
Maximum Output	8,600	8,250
Efficiency	75%	75%
Minimum Inlet Gas Supply Pressure	4.5" (11mb) Water Column	11" (27mb) Water Column
Maximum Inlet Gas Supply Pressure	7" (17mb) Water Column	13" (32mb) Water Column
Manifold Pressure Under Flow Conditions	3.5" (9mb) Water Column	10" (25mb) Water Column

* When the appliance is installed at elevations above 4,500ft (1372m), and in the absence of specific recommendations from the local authority having jurisdiction, the certified high altitude input rating shall be reduced at the rate of 4% for each additional 1,000ft (305m).

Expansion / contraction noises during heating up and cooling down cycles are normal and to be expected.

This appliance is only for use with the type of gas indicated on the rating plate. This appliance is not convertible for use with other gases, unless a certified kit is used.

Provide adequate accessibility clearance for servicing and operating the appliance.

Never obstruct the front opening of the appliance.

A barrier designed to reduce the risk of burns from the hot viewing glass is provided with the appliance and shall be installed.

2.4 RATING PLATE INFORMATION

CONFORMS TO / CONFORME AUX: ANSI Z21.50-2014, CERTIFIED TO / CERTIFIE CSA 2.22-2014 VENTED GAS FIREPLACE / FOYER A GAZ VENTILE.

DIRECT VENT VENTED GAS FIREPLACE APPROVED FOR BEDROOM, BATHROOM & BEDSITTING ROOM INSTALLATION. SUITABLE FOR MOBILE HOME INSTALLATION IF INSTALLED IN ACCORDANCE WITH THE CURRENT STANDARD CAN/CSA Z240MH SERIES GAS EQUIPPED MOBILE HOMES. IN CANADA OR IN THE UNITED STATES THE MANUFACTURED HOME CONSTRUCTION AND SAFETY STANDARD, TITLE 24 CFR, PART 3280. WHEN THIS US STANDARD IS NOT APPLICABLE USE THE STANDARD FOR FIRE SAFETY CRITERIA FOR MANUFACTURED HOME INSTALLATIONS, SITES AND COMMUNITIES, ANSI / NFPA 501A.

MANIFOLD PRESSURE: 3.5 INCHES W.C. (NG)
PRESSION AU COLLECTEUR: 3.5" D'UNE COLONNE D'EAU (GN)

MIN SUPPLY PRESSURE: 4.5" W.C. (NG)
PRESSION D'ALIMENTATION MIN: 4.5" D'UNE COLONNE D'EAU (GN)

MAX. SUPPLY PRESSURE: 7" W.C. (NG)
PRESSION D'ALIMENTATION MAX: 7" D'UNE COLONNE D'EAU (GN)

NOT FOR USE WITH SOLID FUEL 55.9%


FOR USE WITH GLASS DOORS CERTIFIED WITH THIS UNIT ONLY. FOR USE ONLY WITH BARRIER W565-0170. FOLLOW THE INSTALLATION INSTRUCTIONS LOCATED IN THE INSTALLATION MANUAL.

WARNING: DO NOT ADD ANY MATERIAL TO THE APPLIANCE, WHICH WILL COME IN CONTACT WITH THE FLAMES, OTHER THAN THAT SUPPLIED BY THE MANUFACTURER WITH THE APPLIANCE. THIS VENTED GAS FIREPLACE IS NOT FOR USE WITH AIR FILTERS.

ELECTRICAL RATING: BLOWER KIT CS66, 115V 0.5AMP 60HZ THE APPLIANCE MUST BE VENTED USING THE APPROPRIATE WOLF STEEL VENT KITS. SEE OWNERS INSTALLATION MANUAL FOR VENTING SPECIFICS. MINIMUM AND MAXIMUM VERTICAL VENT LENGTHS ARE 3 FEET AND 35FEET RESPECTIVELY.

* MAXIMUM HORIZONTAL EXTENSION 2". SEE INSTRUCTION MANUAL FOR GREATER EXTENSIONS.

WOLF STEEL LTD.
24 NAPOLEON ROAD, BARRIE, ON, L4M 0G8 CANADA



9700539 (WSL)
4001658 (NAC)

NATURAL GAS MODEL

GD19N CDV19N

0-4500ft
11,500 BTU/h
8,000 BTU/h

ALTITUDE / ELEVATION
INPUT / ALIMENTATION
REDUCED INPUT /
ALIMENTATION REDUITE

55.9%

MINIMUM AND MAXIMUM HORIZONTAL VENT LENGTHS ARE 8 INCHES AND 20 FEET RESPECTIVELY. PROPER REINSTALLATION AND RESEALING IS NECESSARY AFTER SERVICING THE VENT-AIR INTAKE SYSTEM.

DECORATIVE PRODUCT: NOT FOR USE AS A HEATING APPLIANCE

MINIMUM CLEARANCE TO COMBUSTIBLE MATERIAL:

TOP	0"	MANTEAU	2"
FLOOR	0"	RECESSED DEPTH	13"
SIDES	0"	VENT	1"
BACK	0"		

TOP, SIDES & BACK: PER STAND OFF SPACERS FOR FRAMING MATERIALS. FOR FINISHING MATERIALS SEE OWNERS MANUAL.

UTILISER AVEC LES PORTES VITREES HOMOCOLISEES SEULEMENT AVEC CETTE UNITE. POUR UNE UTILISER SEULEMENT AVEC BARRIERE W565-0170. SUIVEZ LES INSTRUCTIONS D'INSTALLATION SE TROUVENT DANS LE MANUEL D'INSTALLATION.

AVERTISSEMENT: N'AJOUTEZ PAS A CET APPAREIL AUCUN MATERIAU DEVANT ENTRER EN CONTACT AVEC LES FLAMMES AUTRE QUE CELUI QUI EST FOURNI AVEC CET APPAREIL PAR LE FABRICANT. CE FOYER A GAZ VENTILES NE DOIT PAS ETRE UTILISE CONJOINTEMENT AVEC DES FILTRES A AIR. L'APPAREIL DOIT EVACUER SES GAZ EN UTILISANT L'ENSEMBLE D'EVACUATION PROPRE A WOLF STEEL. REFERER AU MANUEL D'INSTALLATION DE PROPRIETAIRE POUR L'EVACUATION PRECISE. LES LONGUEURS VERTICALES MINIMALES ET MAXIMALES SONT 3 PIEDS ET 35 PIEDS RESPECTIVEMENT.

* L'EXTENSION HORIZONTALE MAXIMALE 2". REFERER AU MANUEL D'INSTRUCTION POUR DES EXTENSIONS PLUS GRANDES.

SERIAL NUMBER / NO. DESERIE **GD19**

4001657 (NGZ)
4001659 (WUSA)

PROPANE MODEL

GD19P CDV19P

0-4500ft
11,000 BTU/h

55.9%

UN COMBUSTIBLE SOLIDE NE DOIT PAS ETRE UTILISE AVEC CET APPAREIL

LES LONGUEURS HORIZONTALES MINIMALES ET MAXIMALES SONT 8 POUCES ET 20 PIEDS RESPECTIVEMENT.


IL EST IMPORTANT DE BIEN REINSTALLER ET RESCELLER L'EVENT APRES AVOIR ASSURE LE MAINTIEN DU SYSTEME DE PRISE D'AIR.

PRODUIT DECORATIF: NE PAS UTILISER COMME APPAREIL DE CHAUFFAGE.

DEGAGEMENTS MINIMAUX DES MATERIAUX COMBUSTIBLES:

DESSUS	0"	MANTEAU	2"
PLANCHER	0"	PROFONDEUR DE L'ENCLAVE	13"
COTES	0"	EVENT	1"
ARRIERE	0"		

DESSUS, COTES & ARRIERE: SELON LES ESPACEURS DE DEGAGEMENT POUR LES MATERIAUX D'OSSATURE SELON LE MANUEL DE PROPRIETAIRE POUR LES MATERIAUX DE FINITION.



MANIFOLD PRESSURE: 10 INCHES W.C. (LP)
PRESSION AU COLLECTEUR: 10" D'UNE COLONNE D'EAU (P)

MIN SUPPLY PRESSURE: 11" W.C. (LP)
PRESSION D'ALIMENTATION MIN: 11" D'UNE COLONNE D'EAU (P)

MAX. SUPPLY PRESSURE: 13" W.C. (LP)
PRESSION D'ALIMENTATION MAX: 13" D'UNE COLONNE D'EAU (P)

W385-1976

RATING PLATE LOCATION: The rating label is located behind the control panel and is chained to the appliance. DO NOT REMOVE.

This illustration is for reference only. Refer to the rating plate on the appliance for accurate information.

NOTE: The rating plate must remain with the appliance at all times. It must not be removed.

3.0 VENTING

WARNING

RISK OF FIRE, MAINTAIN SPECIFIED AIR SPACE CLEARANCES TO VENT PIPE AND APPLIANCE.

IF VENTING IS INCLUDED WITH SPACERS THE VENT SYSTEM MUST BE SUPPORTED EVERY 3FT (0.9m) FOR BOTH VERTICAL AND HORIZONTAL RUNS. USE SUPPORTS OR EQUIVALENT NON-COMBUSTIBLE STRAPPING TO MAINTAIN THE REQUIRED CLEARANCE FROM COMBUSTIBLES. USE WOLF STEEL LTD. SUPPORT RING ASSEMBLY W010-0370 OR EQUIVALENT NON-COMBUSTIBLE STRAPPING TO MAINTAIN THE MINIMUM CLEARANCE TO COMBUSTIBLES FOR BOTH VERTICAL AND HORIZONTAL RUNS. SPACERS ARE ATTACHED TO THE INNER PIPE AT PREDETERMINED INTERVALS TO MAINTAIN AN EVEN AIR GAP TO THE OUTER PIPE. THIS GAP IS REQUIRED FOR SAFE OPERATION. A SPACER IS REQUIRED AT THE START, MIDDLE AND END OF EACH ELBOW TO ENSURE THIS GAP IS MAINTAINED. THESE SPACERS MUST NOT BE REMOVED.

**THIS APPLIANCE USES A 4" (102mm) EXHAUST / 7" (178mm) AIR INTAKE VENT PIPE SYSTEM.
Refer to the section applicable to your installation.**

For safe and proper operation of the appliance follow the venting instruction exactly. Deviation from the minimum vertical vent length can create difficulty in burner start-up and/or carboning. Under extreme vent configurations, allow several minutes (5-15) for the flame to stabilize after ignition. Although not a requirement, it is recommended for vent lengths that pass through unheated spaces (attics, garages, crawl spaces) be insulated with the insulation wrapped in a protective sleeve to minimize condensation. Provide a means for visually checking the vent connection to the appliance after the appliance is installed. Use a firestop, vent pipe shield or attic insulation shield when penetrating interior walls, floor or ceiling.

NOTE: If for any reason the vent air intake system is disassembled; reinstall per the instructions provided for the initial installation.

7.1C

3.1 VENTING LENGTHS AND COMPONENTS

Use only Wolf Steel, Simpson Dura-Vent, Selkirk Direct Temp, American Metal Amerivent or Metal-Fab venting components. Minimum and maximum vent lengths, for both horizontal and vertical installations, and air terminal locations for either system are set out in this manual and must be adhered to. For Simpson Dura-Vent, Selkirk Direct Temp, American Metal Amerivent and Metal-Fab follow the installation procedure provided with the venting components.

A starter adaptor must be used with the following vent systems and may be purchased from the corresponding supplier:

PART	4"/7"	SUPPLIER	WEBSITE
Duravent	W175-0053	Wolf Steel	www.duravent.com
Amerivent	4DSC-N2	American Metal	www.americanmetalproducts.com
Direct Temp	4DT-AAN	Selkirk	www.selkirkcorp.com
SuperSeal	4DNA	Metal-Fab	www.mtlfab.com

For Simpson Dura-Vent, Selkirk Direct Temp, American Metal Amerivent and Metal-Fab follow the installation procedure found on the website for your venting supplier.

For vent systems that provide seals on the inner exhaust flue, only the outer air intake joints must be sealed using a red high temperature silicone (RTV). This same sealant may be used on both the inner exhaust and outer intake vent pipe joints of all other approved vent systems except for the exhaust vent pipe connection to the appliance flue collar which must be sealed using the black high temperature sealant Mill Pac. High temperature sealant must be ordered separately.

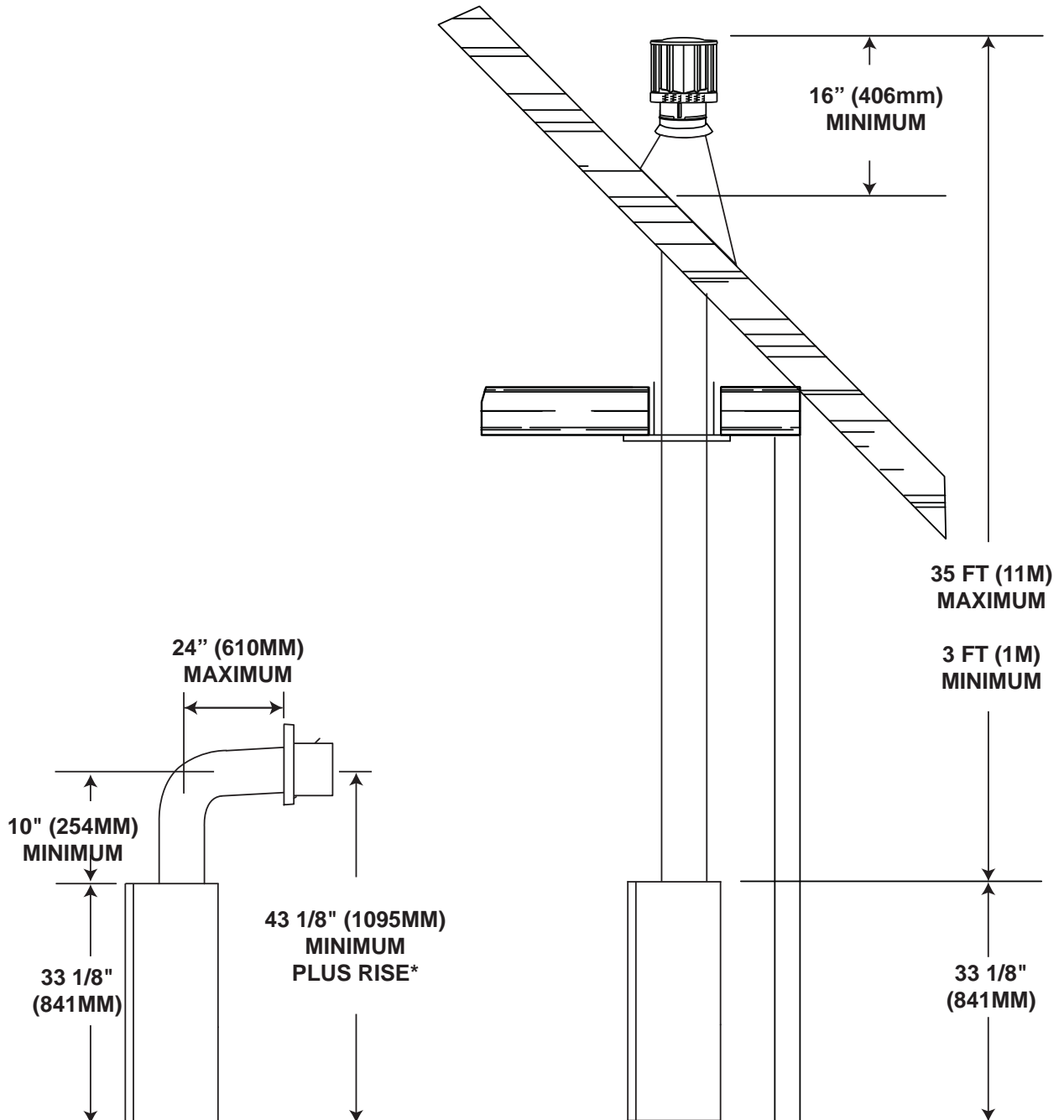
When using Wolf Steel venting components, use only approved Wolf Steel rigid / flexible components with the following termination kits: wall terminal kit **GD222**, **GD222R**, or 1/12 to 7/12 pitch roof terminal kit **GD110**, 8/12 to 12/12 roof terminal kit **GD111**, flat roof terminal kit **GD112** or periscope kit **GD201** (for wall penetration below grade). With flexible venting, in conjunction with the various terminations, use either the 5 foot (1.5m) vent kit **GD220** or the 10 foot (3.1m) vent kit **GD330**.

For optimum flame appearance and appliance performance, keep the vent length and number of elbows to a minimum. The air terminal must remain unobstructed at all times. Examine the air terminal at least once a year to verify that it is unobstructed and undamaged. Rigid and flexible venting systems must not be combined. Different venting manufacturer components must not be combined.

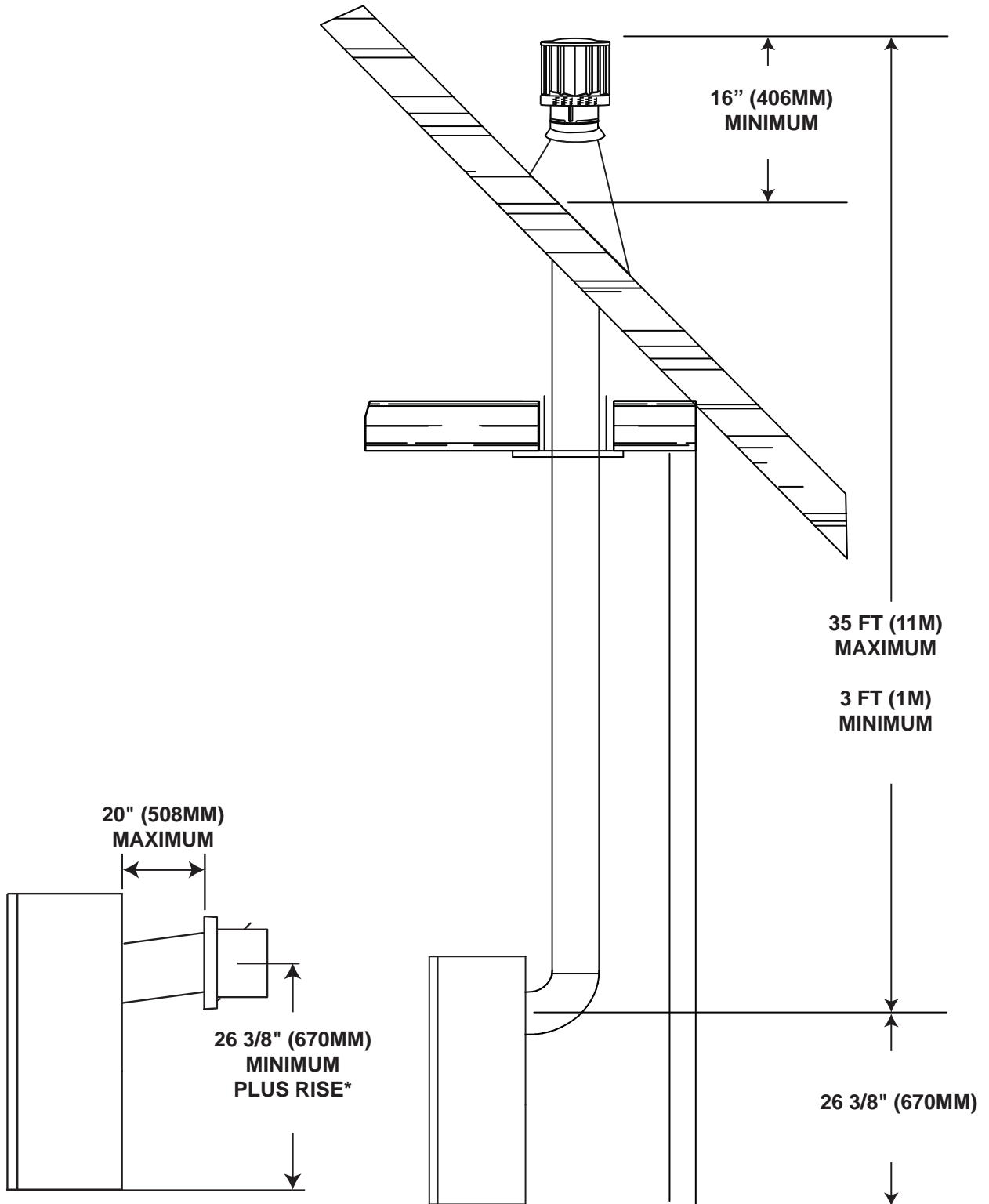
These vent kits allow for either horizontal or vertical venting of the appliance. The maximum allowable horizontal run is 20 feet (6.1m). The maximum allowable vertical vent length is 40 feet (12.2m). The maximum number of vent connections is two horizontally or three vertically (excluding the appliance and the air terminal connections) when using flexible venting.

8.1A

3.2 TYPICAL VENT INSTALLATION



* See "VENTING" section

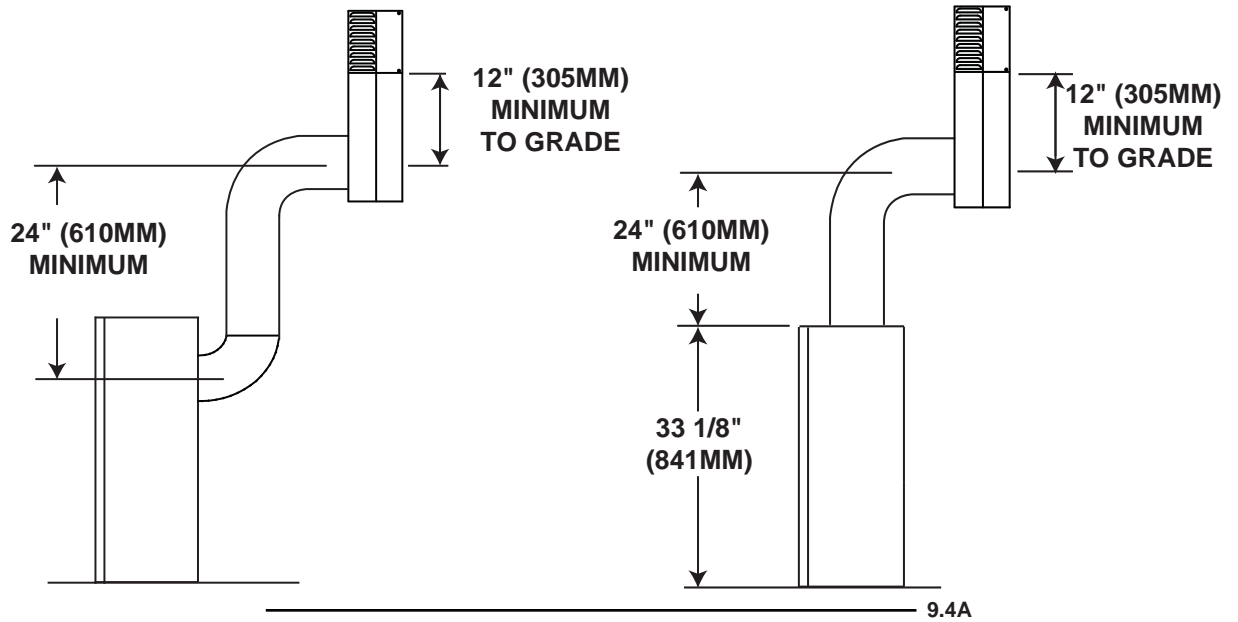


* See "VENTING" section

3.3 SPECIAL VENT INSTALLATIONS

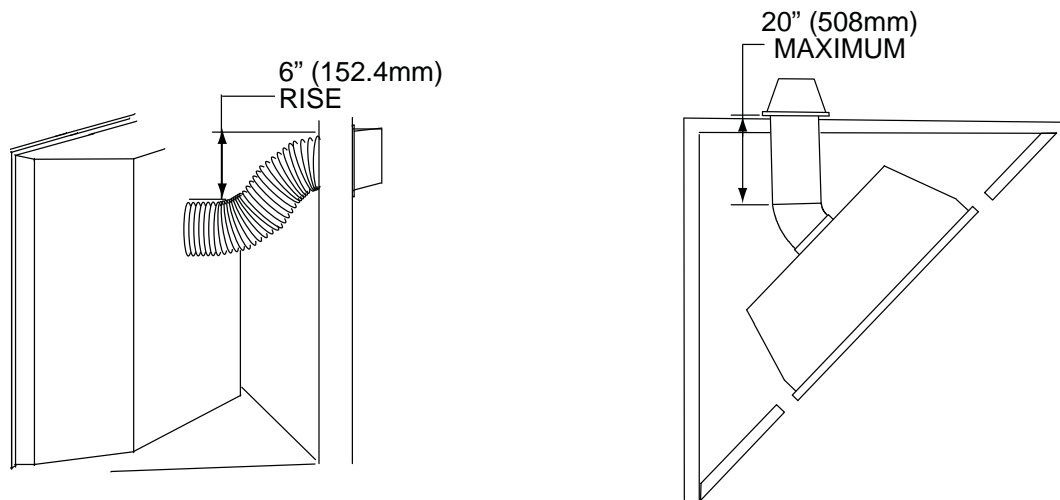
3.3.1 PERISCOPE TERMINATION

Use the periscope kit to locate the air termination above grade. The periscope must be installed so that when final grading is completed, the bottom air slot is located a minimum 12" (304.8mm) above grade. The maximum allowable vent length is 10' (3.1m) for a fireplace and 8' (2.4m) for a stove.



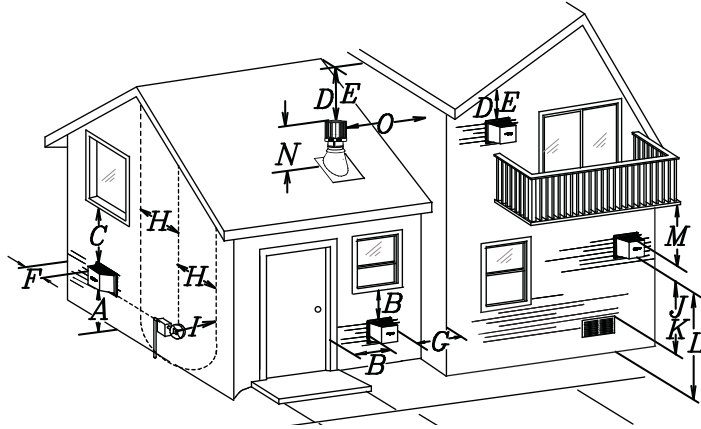
3.3.2 CORNER TERMINATION

The maximum vent length for a corner installation is 20" (508mm) of horizontal run, in addition to the 45° offset. In this case zero rise is acceptable. See illustrations below. It is recommended to maintain a 6" (152mm) rise.

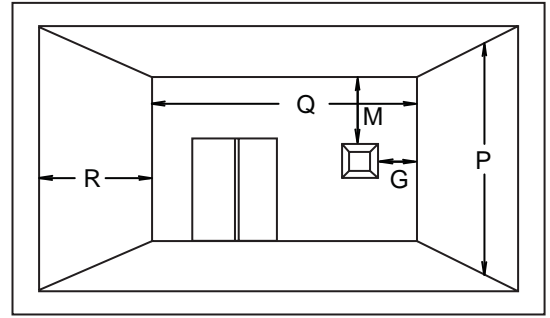


3.4 VENT TERMINAL CLEARANCES

EN



COVERED BALCONY APPLICATIONS



$Q_{MIN} = 3 \text{ feet}$ (0.9m)	$R_{MAX} = 2 \times Q_{ACTUAL}$	$R_{MAX} \leq 15 \text{ feet}$ (4.6m)
--------------------------------------	---------------------------------	--

	INSTALLATIONS		
	CANADA	U.S.A.	
A	12" (304.8mm)	12" (304.8mm)	Clearance above grade, veranda porch, deck or balcony.
B	12" (304.8mm) ^Δ	9" (228.6mm) ^Δ	Clearance to windows or doors that open.
C	12" (304.8mm)*	12" (304.8mm)*	Clearance to permanently closed windows.
D	18" (457.2mm)**	18" (457.2mm)**	Vertical clearance to ventilated soffits located above the terminal within a horizontal distance of 2' (50.8mm) from the centerline of the terminal.
E	18" (457.2mm)**	18" (457.2mm)**	Clearance to unventilated soffit.
F	0" (0mm)	0" (0mm)	Clearance to an outside corner wall.
G	0" (0mm)***	0" (0mm)***	Clearance to an inside non-combustible corner wall or protruding non-combustible obstructions (chimney, etc.).
	2" (50.8mm)***	2" (50.8mm)***	Clearance to an inside combustible corner wall or protruding combustible obstructions (vent chase, etc.).
H	3' (0.9m)	3' (0.9m)****	Clearance to each side of the centerline extended above the meter / regulator assembly to a maximum vertical distance of 15' (4.6m).
I	3' (0.9m)	3' (0.9m)****	Clearance to a service regulator vent outlet.
J	12" (304.8mm)	9" (228.6mm)	Clearance to a non-mechanical air supply inlet to the building or a combustion air inlet to any other appliance.
K	6' (1.8m)	3' (0.9m) †	Clearance to a mechanical air supply inlet.
L	7' (2.1m) ‡	7' (2.1m)****	Clearance above a paved sidewalk or paved driveway located on public property.
M	12" (304.8mm) ††	12" (304.8mm)****	Clearance under a veranda, porch, deck or balcony.
N	16" (406.4mm)	16" (406.4mm)	Clearance above the roof.
O	2' (0.6m) †*	2' (0.6m) †*	Clearance from an adjacent wall including neighbouring buildings.
P	8' (2.4m)	8' (2.4m)	Roof must be non-combustible without openings.
Q	3' (0.9m)	3' (0.9m)	See chart for wider wall dimensions.
R	6' (1.8m)	6' (1.8m)	See chart for deeper wall dimensions. The terminal shall not be installed on any wall that has an opening between the terminal and the open side of the structure.

Δ In a structure with three walls and a roof, the terminal shall not be located less than 6 feet (1.8m) under a window that opens on a horizontal plane.

* Recommended to prevent condensation on windows and thermal breakage

** It is recommended to use a heat shield and to maximize the distance to vinyl clad soffits.

*** The periscope requires a minimum 18" (457.2mm) clearance from an inside corner.

This is a recommended distance. For additional requirements check local codes.

† 3 feet above if within 10 feet (3.1m) horizontally.

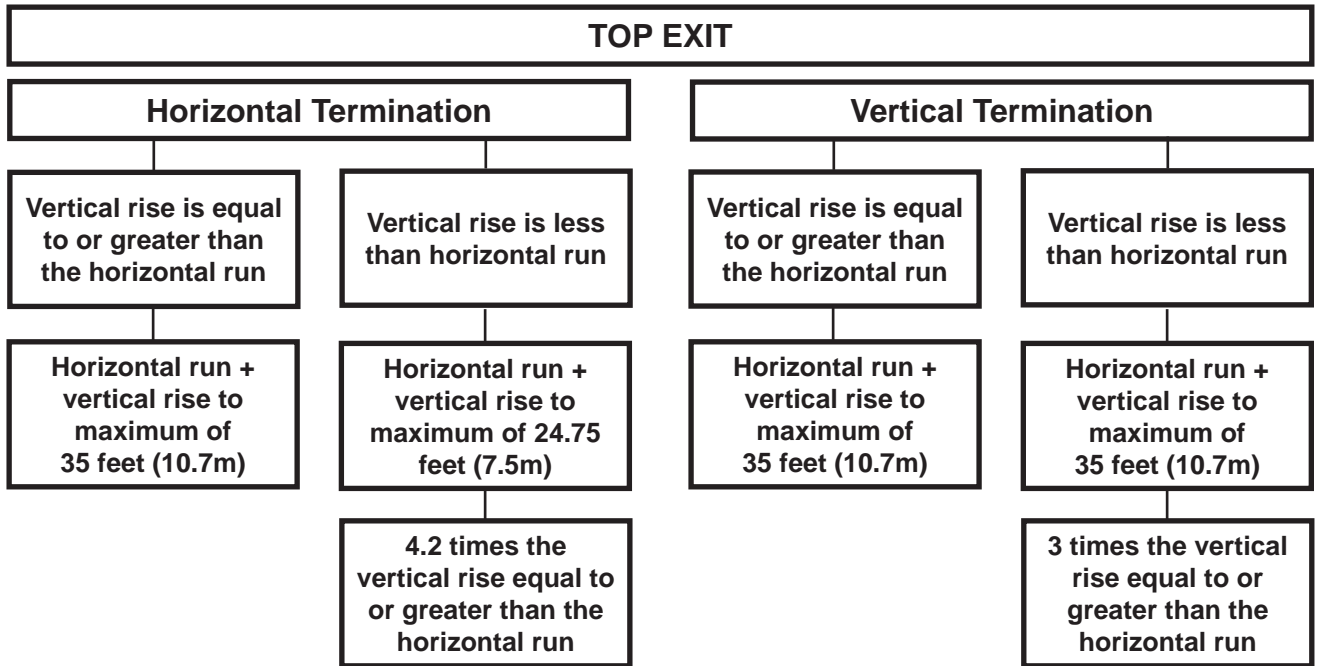
‡ A vent shall not terminate where it may cause hazardous frost or ice accumulations on adjacent property surfaces.

†† Permitted only if the veranda, porch, or deck is fully open on a minimum of two sides beneath the floor.

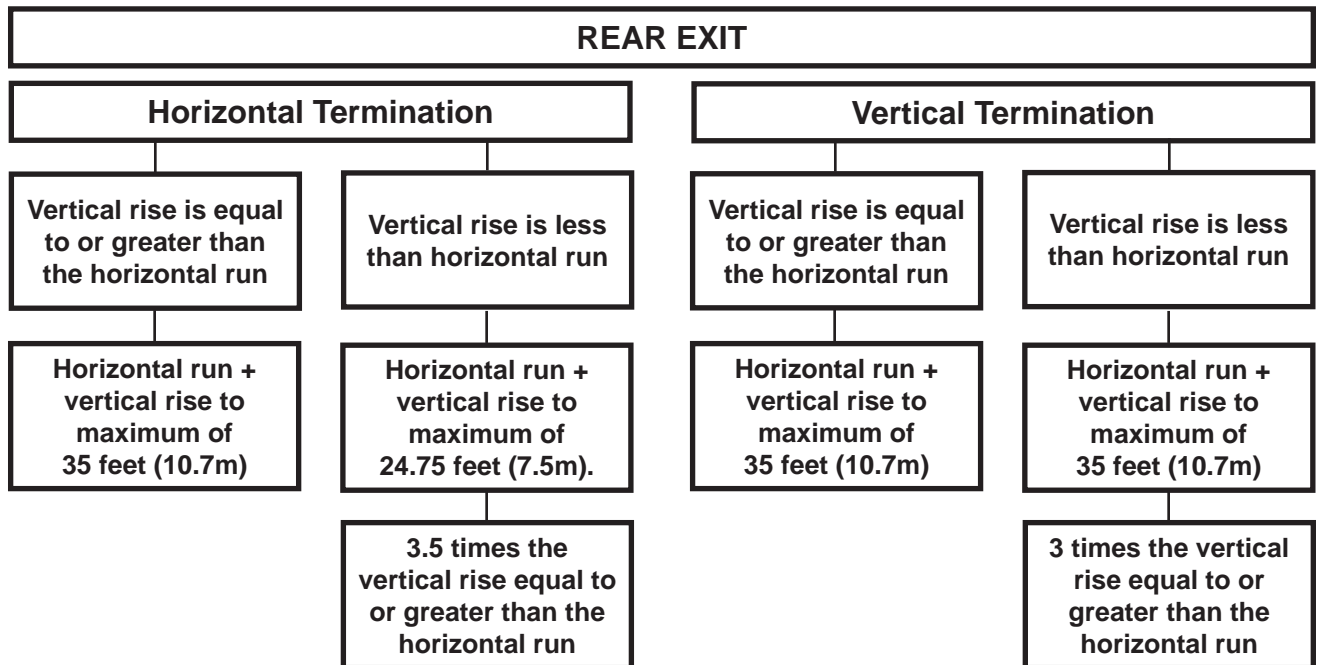
†* Recommended to prevent recirculation of exhaust products. For additional requirements check local codes.

NOTE: Clearances are in accordance with local installation codes and the requirements of the gas supplier.

3.5 VENTING APPLICATION FLOW CHART



13.3A



13.4A

3.6 DEFINITIONS

For the following symbols used in the venting calculations and examples are:

- > - greater than
- ≥ - equal to or greater than
- < - less than
- ≤ - equal to or less than
- H_T - total of both horizontal vent lengths (H_r) and offsets (H_o) in feet
- H_R - combined horizontal vent lengths in feet
- H_O - offset factor: .03 (total degrees of offset - 90°*) in feet
- V_T - combined vertical vent lengths in feet

14.1

3.7 ELBOW VENT LENGTH VALUES

	<u>FEET</u>	<u>INCHES</u>	<u>MILLIMETERS</u>
1°	0.03	0.5	12.7
15°	0.45	6.0	152.4
30°	0.9	11.0	279.4
45°	1.35	16.0	406.4
90°*	2.7	32.0	812.8

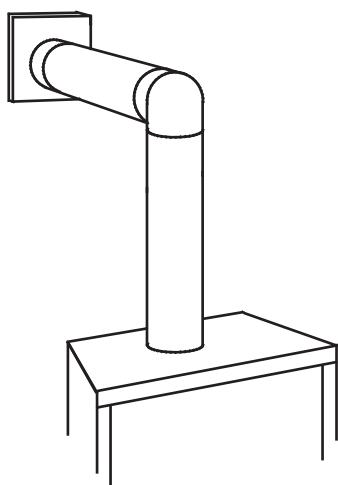
* The first 90° offset has a zero value and is shown in the formula as - 90°

15.1A

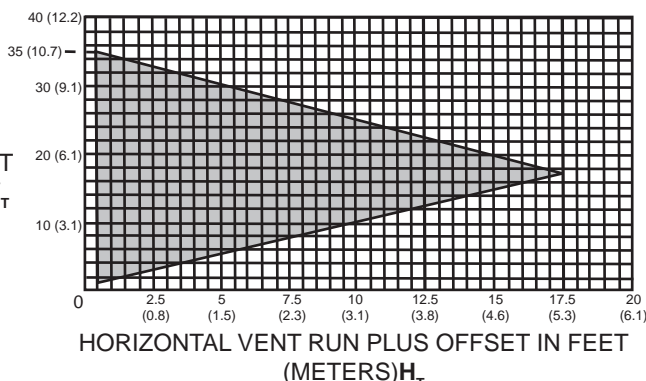
3.8 TOP EXIT HORIZONTAL TERMINATION

$$(H_T) \leq (V_T)$$

Simple venting configuration (only one 90° elbow)



See graph to determine the required vertical rise V_T for the required horizontal run H_T .



The shaded area within the lines represents acceptable values for H_T and V_T

For vent configurations requiring more than one 90° elbow, the following formulas apply:

Formula 1: $H_T \leq V_T$

Formula 2: $H_T + V_T \leq 35 \text{ feet (10.7m)}$

Example:

$V_1 = 3 \text{ FT (0.9m)}$

$V_2 = 8 \text{ FT (2.4m)}$

$V_T = V_1 + V_2 = 3 \text{ FT (0.9m)} + 8 \text{ FT (2.4m)} = 11 \text{ FT (3.4m)}$

$H_1 = 2.5 \text{ FT (0.8m)}$

$H_2 = 2 \text{ FT (0.6m)}$

$H_R = H_1 + H_2 = 2.5 \text{ FT (0.8m)} + 2 \text{ FT (0.6m)} = 4.5 \text{ FT (1.4m)}$

$H_o = .03 \text{ (three } 90^\circ \text{ elbows - } 90^\circ) = .03 \text{ (} 270^\circ - 90^\circ) = 5.4 \text{ FT (1.7m)}$

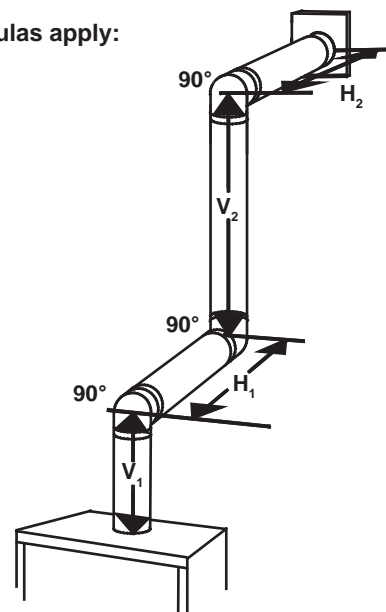
$H_T = H_R + H_o = 4.5 \text{ FT (1.4m)} + 5.4 \text{ FT (1.7m)} = 9.9 \text{ FT (3m)}$

$H_T + V_T = 9.9 \text{ FT (3m)} + 11 \text{ FT (3.4m)} = 20.9 \text{ FT (6.4m)}$

Formula 1: $H_T \leq V_T$
 $9.9 \text{ FT (3m)} \leq 11 \text{ FT (3.4m)}$

Formula 2: $H_T + V_T \leq 35 \text{ FT (10.7m)}$
 $20.9 \text{ FT (6.4m)} \leq 35 \text{ FT (10.7m)}$

Since both formulas are met, this vent configuration is acceptable.

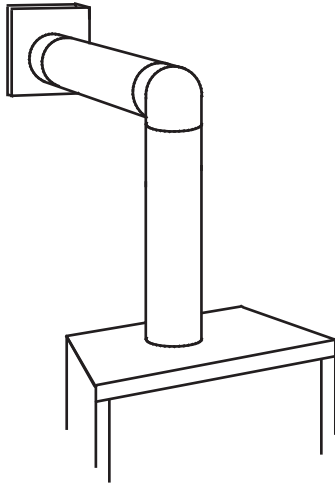


16.6B

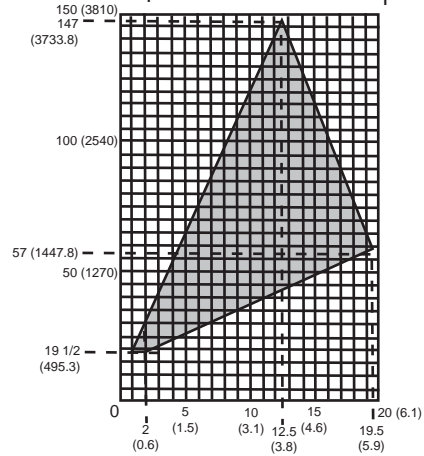
$$(H_T) > (V_T)$$

Simple venting configuration (only one 90° elbow)

See graph to determine the required vertical rise V_T for the required horizontal run H_T .



REQUIRED VERTICAL RISE IN INCHES (MILLIMETERS) V_T



HORIZONTAL VENT RUN PLUS OFFSET IN FEET (METERS) H_T

The shaded area within the lines represents acceptable values for H_T and V_T

For vent configurations requiring more than one 90° elbow, the following formulas apply:

Formula 1: $H_T \leq 4.2 V_T$

Formula 2: $H_T + V_T \leq 24.75$ feet (7.5m)

Example:

$V_1 = V_T = 6$ FT (1.8m)

$H_1 = 3$ FT (0.9m)

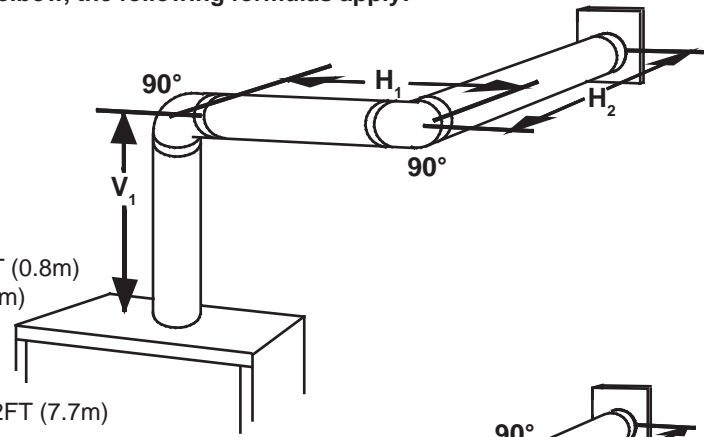
$H_2 = 5$ FT (1.5m)

$H_R = H_1 + H_2 = 3$ FT (0.9m) + 5 FT (1.5m) = 8 FT (2.4m)

$H_O = .03$ (two 90° elbows - 90°) = .03 (180° - 90°) = 2.7 FT (0.8m)

$H_T = H_R + H_O = 8$ FT (2.4m) + 2.7 FT (0.8m) = 10.7 FT (3.3m)

$H_T + V_T = 10.7$ FT (3.3m) + 6 FT (1.8m) = 16.7 FT (5.1m)



Formula 1: $H_T \leq 4.2 V_T$

$4.2 V_T = 4.2$ FT (1.3m) x 6 FT (1.8m) = 25.2 FT (7.7m)

10.7 FT (3.3m) \leq 25.2 FT (7.7m)

Formula 2: $H_T + V_T \leq 24.75$ FT (7.5m)

16.7 FT (5.1m) \leq 24.75 FT (7.5m)

Since both formulas are met, this vent configuration is acceptable.

Example:

$V_1 = 4$ FT (1.2m)

$V_2 = 1.5$ FT (0.5m)

$V_T = V_1 + V_2 = 4$ FT (1.2m) + 1.5 FT (0.5m) = 5.5 FT (1.7m)

$H_1 = 2$ FT (0.6m)

$H_2 = 1$ FT (0.3m)

$H_3 = 1$ FT (0.3m)

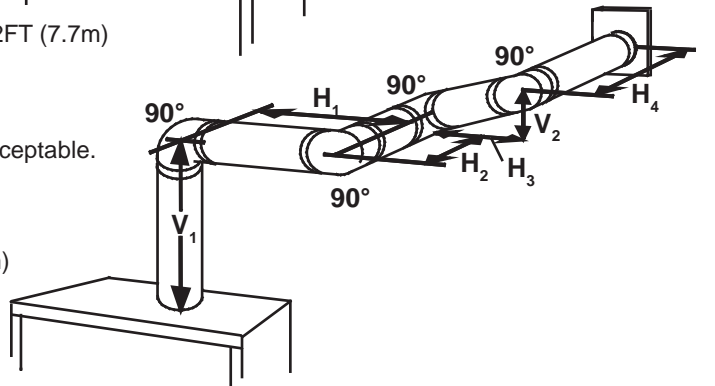
$H_4 = 1.5$ FT (0.5m)

$H_R = H_1 + H_2 + H_3 + H_4 = 2$ FT (0.6m) + 1 FT (0.3m) + 1 FT (0.3m) + 1.5 FT (0.5m) = 5.5 FT (1.7m)

$H_O = .03$ (four 90° elbows - 90°) = .03 (360° - 90°) = 8.1 FT (2.5m)

$H_T = H_R + H_O = 5.5$ FT (1.7m) + 8.1 FT (2.5m) = 13.6 FT (4.2m)

$H_T + V_T = 13.6$ FT (4.2m) + 5.5 FT (1.7m) = 19.1 FT (5.8m)



Formula 1: $H_T \leq 4.2 V_T$

$4.2 V_T = 4.2$ FT (1.3m) x 5.5 FT (1.7m) = 23.1 FT (7m)

13.6 FT (4.2m) \leq 23.1 FT (7m)

Formula 2: $H_T + V_T \leq 24.75$ FT (7.5m)

19.1 FT (5.8m) \leq 24.75 FT (7.5m)

Since both formulas are met, this vent configuration is acceptable.

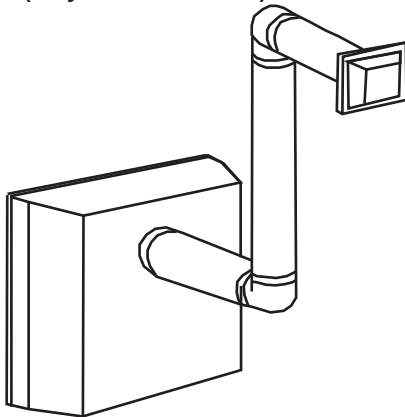
3.9 REAR EXIT HORIZONTAL TERMINATION

EN

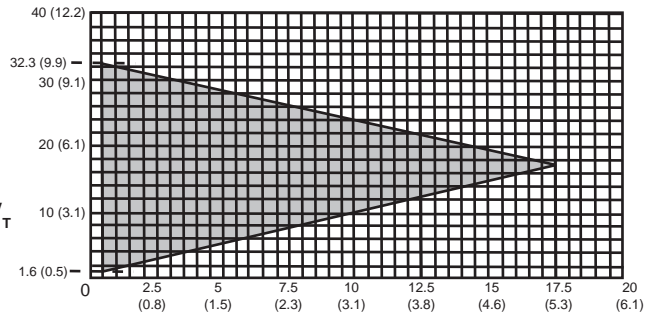
$$(H_T) \leq (V_T)$$

Simple venting configuration
(only two 90° elbows)

See graph to determine the required vertical rise V_T for the required horizontal run H_T .



REQUIRED VERTICAL RISE IN FEET (METERS) V_T



HORIZONTAL VENT RUN PLUS OFFSET IN FEET (METERS) H_T

The shaded area within the lines represents acceptable values for H_T and V_T

For vent configurations requiring more than two 90° elbows, the following formulas apply:

Formula 1: $H_T \leq V_T$

Formula 2: $H_T + V_T \leq 35 \text{ feet (10.7m)}$

Example:

$V_1 = 9 \text{ FT (2.7m)}$

$V_2 = 6 \text{ FT (1.8m)}$

$V_T = V_1 + V_2 = 9 \text{ FT (2.7m)} + 6 \text{ FT (1.8m)} = 15 \text{ FT (4.6m)}$

$H_1 = 3 \text{ FT (0.9m)}$

$H_2 = 2 \text{ FT (0.6m)}$

$H_3 = 1.5 \text{ FT (0.5m)}$

$H_R = H_1 + H_2 + H_3 = 3\text{FT (0.9m)} + 2\text{FT (0.6m)} + 1.5\text{FT (0.5m)} = 6.5\text{FT (2m)}$

$H_o = .03 \text{ (four } 90^\circ \text{ elbows} - 90^\circ) = .03 \text{ (} 360^\circ - 90^\circ) = 8.1\text{FT (2.5m)}$

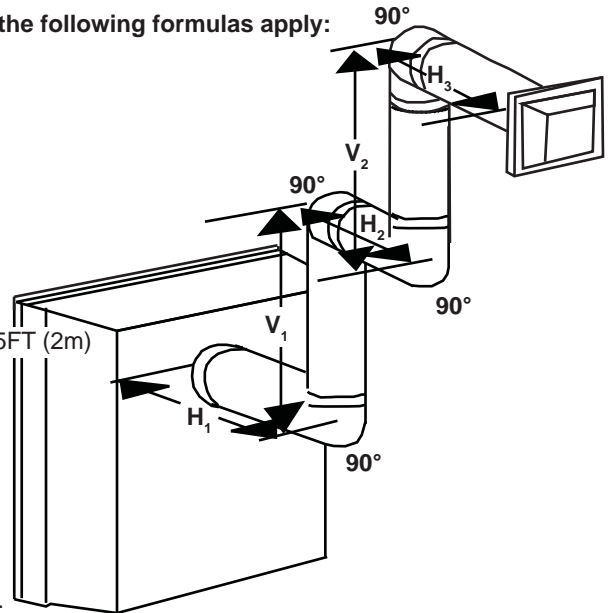
$H_T = H_R + H_o = 6.5\text{FT (2m)} + 8.1\text{FT (2.5m)} = 14.6 \text{ FT (4.5m)}$

$H_T + V_T = 14.6 \text{ FT (4.5m)} + 15 \text{ FT (4.6m)} = 29.6 \text{ FT (9m)}$

Formula 1: $H_T \leq V_T$
 $14.6 \text{ FT (4.5m)} \leq 15\text{FT (4.6m)}$

Formula 2: $H_T + V_T \leq 35 \text{ FT (10.7m)}$
 $29.6 \text{ FT (9m)} \leq 35 \text{ FT (10.7m)}$

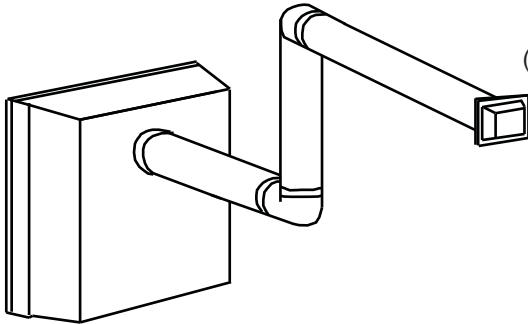
Since both formulas are met, this vent configuration is acceptable.



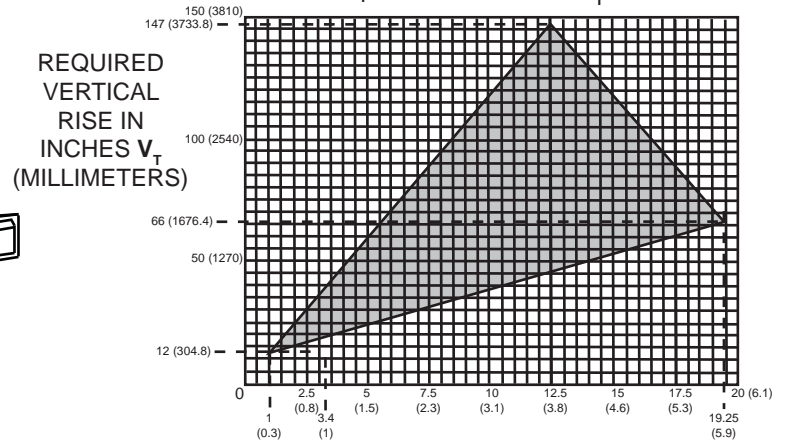
16.6_2B

$$(H_T) > (V_T)$$

Simple venting configuration
(only two 90° elbows)



See graph to determine the required vertical rise V_T for the required horizontal run H_T .



HORIZONTAL VENT RUN PLUS OFFSET IN FEET (METERS) H_T
The shaded area within the lines represents acceptable values for H_T and V_T

For vent configurations requiring more than two 90° elbows, the following formulas apply:

Formula 1: $H_T \leq 3.5V_T$

Formula 2: $H_T + V_T \leq 24.75$ feet (7.5m)

Example:

$V_1 = 4$ FT (1.2m)

$V_2 = 1.5$ FT (0.5m)

$V_T = V_1 + V_2 = 4$ FT (1.2m) + 1.5 FT (0.5m) = 5.5 FT (1.5m)

$H_1 = 2$ FT (0.6m)

$H_2 = 1$ FT (0.3m)

$H_3 = 1$ FT (0.3m)

$H_4 = 1.5$ FT (0.5m)

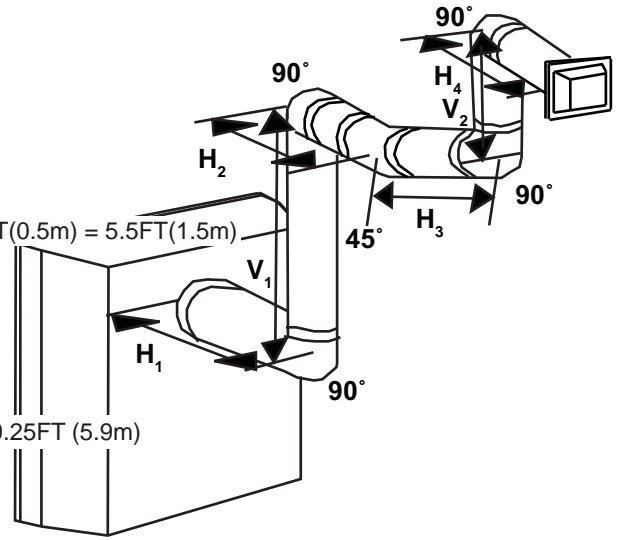
$H_R = H_1 + H_2 + H_3 + H_4 = 2$ FT (0.6m) + 1 FT (0.3m) + 1 FT (0.3m) + 1.5 FT (0.5m) = 5.5 FT (1.5m)

$H_o = .03$ (four 90° elbows + one 45° elbow - 90°)

$= .03 (90 + 90 + 90 + 90 + 45 - 90) = 9.45$ FT (2.9m)

$H_T = H_R + H_o = 5.5$ FT (1.5m) + 9.45 FT (2.9m) = 14.95 FT (4.5m)

$H_T + V_T = 14.95$ FT (4.5m) + 5.5 FT (1.5m) = 20.45 FT (6.2m)



Formula 1:

$H_T \leq 3.5V_T$

$3.5V_T = 3.5$ FT (1.1m) x 5.5 FT (1.5m) = 19.25 FT (5.9m)

14.95 FT (4.5m) \leq 19.25 FT (5.9m)

Formula 2:

$H_T + V_T \leq 24.75$ FT (7.5m)

20.45 FT (6.2m) \leq 24.75 FT (7.5m)

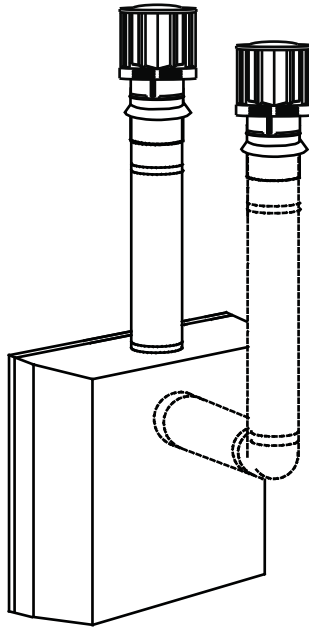
Since both formulas are met, this vent configuration is acceptable.

3.10 TOP OR REAR EXIT VERTICAL TERMINATION

EN

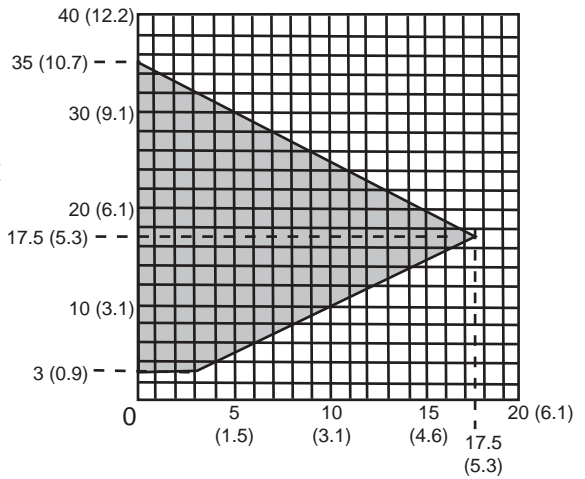
$$(H_T) \leq (V_T)$$

Simple venting configurations.



See graph to determine the required vertical rise V_T for the required horizontal run H_T .

REQUIRED VERTICAL RISE IN FEET (METERS) V_T



HORIZONTAL VENT RUN PLUS OFFSET IN FEET (METERS) H_T

The shaded area within the lines represents acceptable values for H_T and V_T

For vent configurations requiring one or more 90° elbows (top exit) or one 90° elbow (rear exit), the following formulas apply:

Formula 1: $H_T \leq V_T$

Formula 2: $H_T + V_T \leq 35 \text{ feet (10.7m)}$

Example:

$V_1 = 3 \text{ FT (0.9m)}$

$V_2 = 6 \text{ FT (1.8m)}$

$V_3 = 8 \text{ FT (2.4m)}$

$V_T = V_1 + V_2 + V_3 = 3\text{FT (0.9m)} + 6\text{FT (1.8m)} + 8\text{FT (2.4m)} = 17\text{FT (5.2m)}$

$H_1 = 2 \text{ FT (0.6m)}$

$H_2 = 2.5 \text{ FT (0.8m)}$

$H_R = H_1 + H_2 = 2\text{FT (0.6m)} + 2.5\text{FT (0.8m)} = 4.5\text{FT (1.4m)}$

$H_O = .03 \text{ (four } 90^\circ \text{ elbows} - 90^\circ)$
 $= .03 \text{ (} 360^\circ - 90^\circ) = 8.1 \text{ FT (2.5m)}$

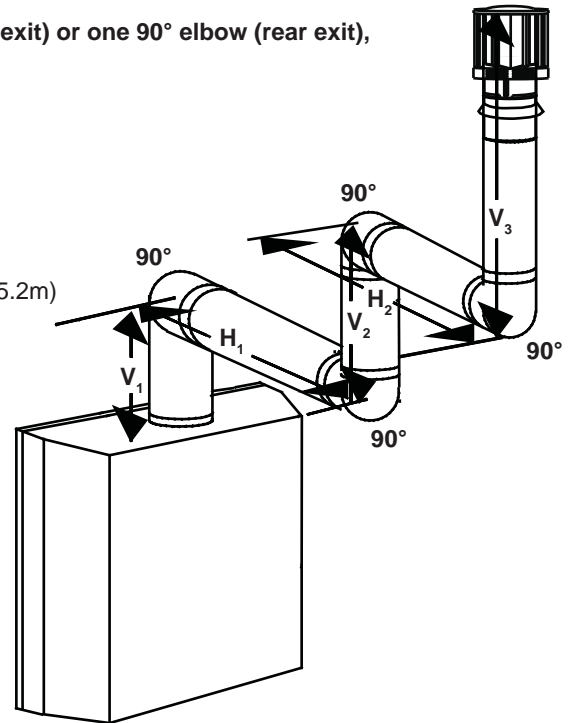
$H_T = H_R + H_O = 4.5\text{FT (1.4m)} + 8.1\text{FT (2.5m)} = 12.6\text{FT (3.8m)}$

$H_T + V_T = 12.6\text{FT (3.8m)} + 17\text{FT (5.2m)} = 29.6\text{FT (9m)}$

Formula 1: $H_T \leq 3.5 V_T$
 $12.6\text{FT (3.8m)} \leq 17\text{FT (5.2m)}$

Formula 2: $H_T + V_T \leq 35 \text{ FT (10.7m)}$
 $29.6\text{FT (9m)} \leq 35\text{FT (10.7m)}$

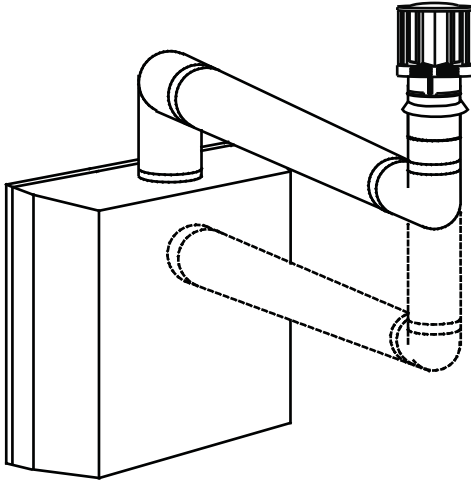
Since both formulas are met, this vent configuration is acceptable.



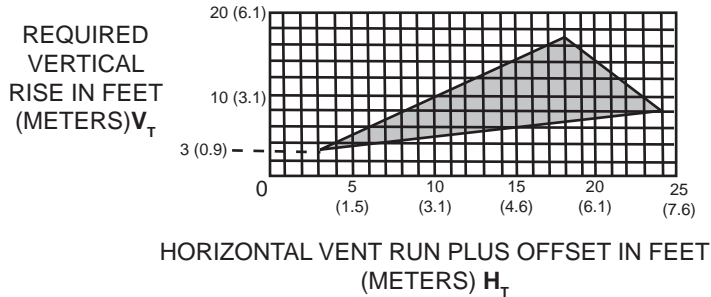
18.4A

$$(H_T) > (V_T)$$

Simple venting configurations.



See graph to determine the required vertical rise V_T for the required horizontal run H_T .



The shaded area within the lines represents acceptable values for H_T and V_T

For vent configurations requiring more than one 90° elbows (top exit) or one 90° elbow (rear exit), the following formulas apply:

Formula 1: $H_T \leq 3 V_T$

Formula 2: $H_T + V_T \leq 35 \text{ feet (10.7m)}$

Example:

$V_1 = 2 \text{ FT (0.6m)}$

$V_2 = 1 \text{ FT (0.3m)}$

$V_3 = 1.5 \text{ FT (0.5m)}$

$V_T = V_1 + V_2 + V_3 = 2\text{FT (0.6m)} + 1\text{FT (0.3m)} + 1.5\text{FT (0.5m)} = 4.5\text{FT (1.4m)}$

$H_1 = 6 \text{ FT (1.8m)}$

$H_2 = 2 \text{ FT (0.6m)}$

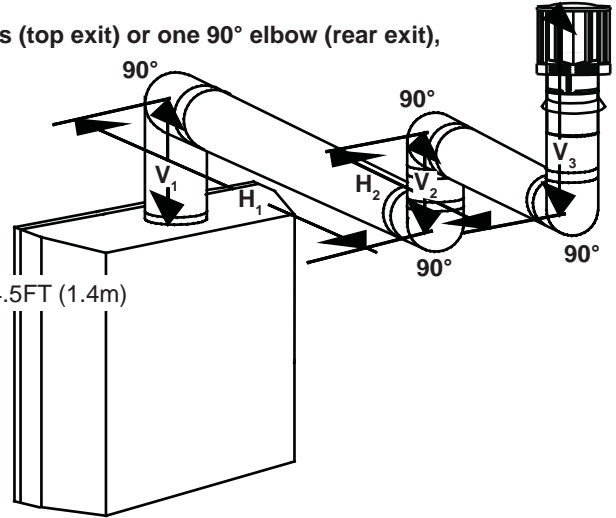
$H_R = H_1 + H_2 = 6\text{FT (1.8m)} + 2\text{FT (0.6m)} = 8\text{FT (2.4m)}$

$H_o = .03 \text{ (four } 90^\circ \text{ elbows} - 90^\circ)$

$= .03 \text{ (} 360^\circ - 90^\circ) = 8.1 \text{ FT (2.5m)}$

$H_T = H_R + H_o = 8\text{FT (2.4m)} + 8.1\text{FT (2.5m)} = 16.1\text{FT (4.9m)}$

$H_T + V_T = 16.1\text{FT (4.9m)} + 4.5\text{FT (1.4m)} = 20.6\text{FT (6.3m)}$



Formula 1:

$H_T \leq 3.5 V_T$

$3.5 V_T = 3\text{FT (0.9m)} \times 4.5\text{FT (1.4m)} = 13.5\text{FT (4.1m)}$

$16.1\text{FT (4.9m)} \leq 13.5\text{FT (4.1m)}$

Since this formula is not met, this vent configuration is **unacceptable**.

Formula 2:

$H_T + V_T \leq 35 \text{ FT (10.7m)}$

$20.6\text{FT (6.3m)} \leq 35\text{FT (10.7m)}$

Since only formula 2 is met, this vent configuration is unacceptable and a new fireplace location or vent configuration will need to be established to satisfy both formulas.

18.4_2B

Example:

$$V_1 = 1.5 \text{ FT (0.5m)}$$

$$V_2 = 5 \text{ FT (1.5m)}$$

$$V_T = V_1 + V_2 = 1.5\text{FT (0.5m)} + 5\text{FT (1.5m)} = 6.5 \text{ FT (2m)}$$

$$H_1 = 1 \text{ FT (0.3m)}$$

$$H_2 = 1 \text{ FT (0.3m)}$$

$$H_3 = 10.75 \text{ FT (3.3m)}$$

$$H_R = H_1 + H_2 + H_3 = 1\text{FT (0.3m)} + 1\text{FT (0.3m)} + 10.75\text{FT (3.3m)} = 12.75 \text{ FT (3.9m)}$$

$$H_O = .03 \text{ (four } 90^\circ \text{ elbows + one } 45^\circ \text{ elbow - } 90^\circ)$$

$$= .03 (360^\circ + 45^\circ - 90^\circ) = 6.75 \text{ FT (2.1m)}$$

$$H_T = H_R + H_O = 12.75\text{FT (3.9m)} + 6.75 \text{ FT (2.1m)} = 19.5 \text{ FT (5.9m)}$$

$$H_T + V_T = 19.5\text{FT (5.9m)} + 6.5\text{FT (2m)} = 26\text{FT (7.6m)}$$

Formula 1:

$$H_T \leq 3 V_T$$

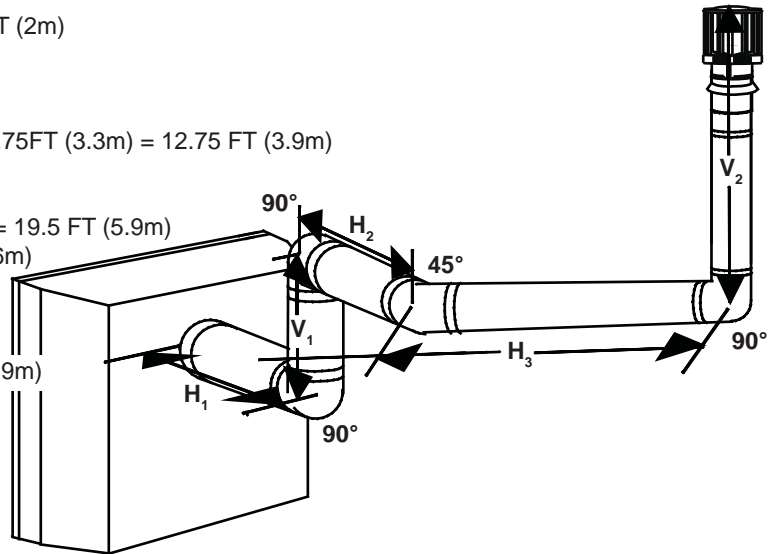
$$3 V_T = 3\text{FT (0.9m)} \times 6.5\text{FT (2m)} = 19.5\text{FT (5.9m)}$$

$$19.5\text{FT (5.9m)} = 19.5\text{FT (5.9m)}$$

Formula 2:

$$H_T + V_T \leq 35 \text{ FT (10.7m)}$$

$$26\text{FT (7.9m)} \leq 35\text{FT (10.7m)}$$

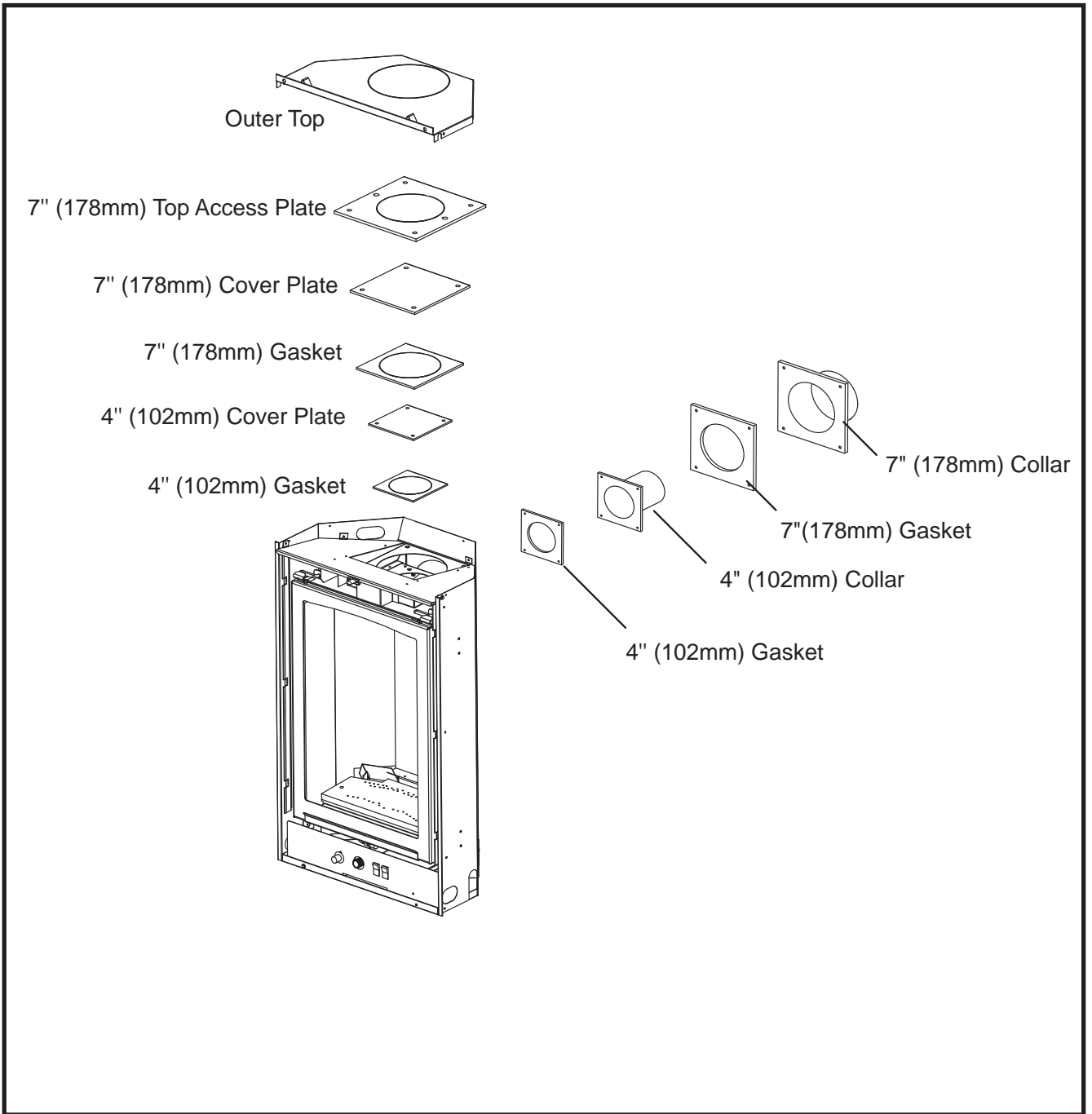


Since both formulas are met, this vent configuration is acceptable.

18.4_3A

3.11 REAR VENT CONVERSION

In order to convert the venting configuration from a **top exit** to a **rear exit**, remove components as illustrated:
When reinstalling in the alternate position: Check gaskets for tears, replace if necessary to ensure a proper seal.



4.0 INSTALLATION

! WARNING
ENSURE TO UNPACK ALL LOOSE MATERIALS FROM INSIDE THE FIREBOX PRIOR TO HOOKING UP THE GAS AND ELECTRICAL SUPPLY.
IF YOUR APPLIANCE IS SUPPLIED WITH A REMOTE ENSURE THE REMOTE RECEIVER IS IN THE "OFF" POSITION PRIOR TO HOOKING UP THE GAS AND ELECTRICAL SUPPLY TO THE APPLIANCE.
FOR SAFE AND PROPER OPERATION OF THE APPLIANCE, FOLLOW THE VENTING INSTRUCTIONS EXACTLY.
ALL INNER EXHAUST AND OUTER INTAKE VENT PIPE JOINTS MAY BE SEALED USING EITHER RED RTV HIGH TEMP SILICONE SEALANT W573-0002 (NOT SUPPLIED) OR BLACK HIGH TEMP MILL PAC W573-0007 (NOT SUPPLIED) WITH THE EXCEPTION OF THE APPLIANCE EXHAUST FLUE COLLAR WHICH MUST BE SEALED USING MILL PAC.
IF USING PIPE CLAMPS TO CONNECT VENT COMPONENTS, 3 SCREWS MUST ALSO BE USED TO ENSURE THE CONNECTION CANNOT SLIP OFF.
DO NOT CLAMP THE FLEXIBLE VENT PIPE.
RISK OF FIRE, EXPLOSION OR ASPHYXIATION. IMPROPER SUPPORT OF THE ENTIRE VENTING SYSTEM MAY ALLOW VENT TO SAG AND SEPARATE. USE VENT RUN SUPPORTS AND CONNECT VENT SECTIONS PER INSTALLATION INSTRUCTIONS.
RISK OF FIRE, DO NOT ALLOW LOOSE MATERIALS OR INSULATION TO TOUCH THE VENT PIPE. REMOVE INSULATION TO ALLOW FOR THE INSTALLATION OF THE ATTIC SHIELD AND TO MAINTAIN CLEARANCES TO COMBUSTIBLES.

68.2B

4.1 WALL AND CEILING PROTECTION

! WARNING
DO NOT FILL THE SPACE BETWEEN THE VENT PIPE AND ENCLOSURE WITH ANY TYPE OF MATERIAL. DO NOT PACK INSULATION OR COMBUSTIBLES BETWEEN CEILING FIRESTOPS. ALWAYS MAINTAIN SPECIFIED CLEARANCES AROUND VENTING AND FIRESTOP SYSTEMS. INSTALL WALL SHIELDS AND FIRESTOPS AS SPECIFIED. FAILURE TO KEEP INSULATION OR OTHER MATERIALS AWAY FROM VENT PIPE MAY CAUSE FIRE.

70.1

For clearances to combustible materials from the vent pipe, see "FRAMING" section.

For optimum performance it is recommended that horizontal runs have a minimum 1" (25mm) per rise per foot when using Simpson Dura-Vent, Selkirk Direct Temp, American Metal Amerivent, or Wolf Steel rigid or flexible vent components.

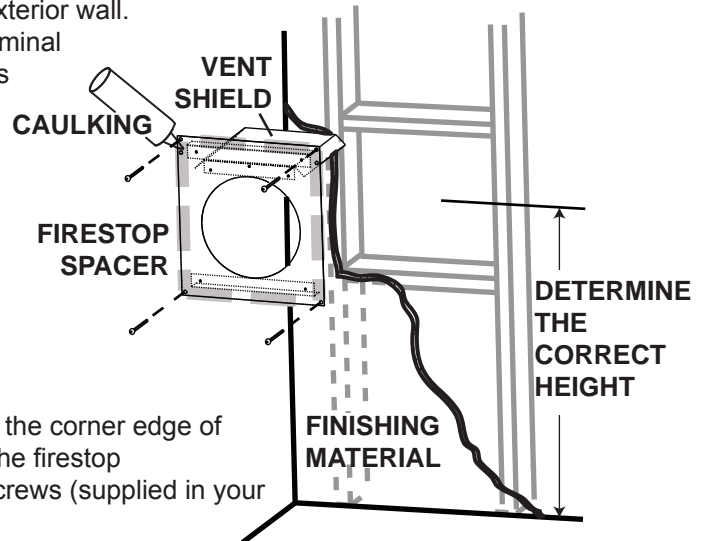
4.1.1 HORIZONTAL INSTALLATION

! WARNING**THE FIRESTOP ASSEMBLY MUST BE INSTALLED WITH THE VENT SHIELD TO THE TOP.****TERMINALS MUST NOT BE RECESSED INTO A WALL OR SIDING MORE THAN THE DEPTH OF THE RETURN FLANGE OF THE MOUNTING PLATE.**

This application occurs when venting through an exterior wall. Having determined the correct height for the air terminal location, cut and frame a hole in the exterior wall as illustrated to accommodate the firestop assembly. Dry fit the firestop assembly before proceeding to ensure the brackets on the rear surface fit to the inside surface of the horizontal framing.

The length of the vent shield may be cut shorter for combustible walls that are less than 8 1/2" (215.9mm) thick but the vent shield must extend the full depth of the combustible wall.

- A. Apply a bead of caulking (not supplied) around the corner edge of the inside surface of the firestop assembly, fit the firestop assembly to the hole and secure using the 4 screws (supplied in your manual baggie).
- B. Once the vent pipe is installed in its final position, apply high temperature sealant W573-0007 (not supplied) between the pipe and the firestop.

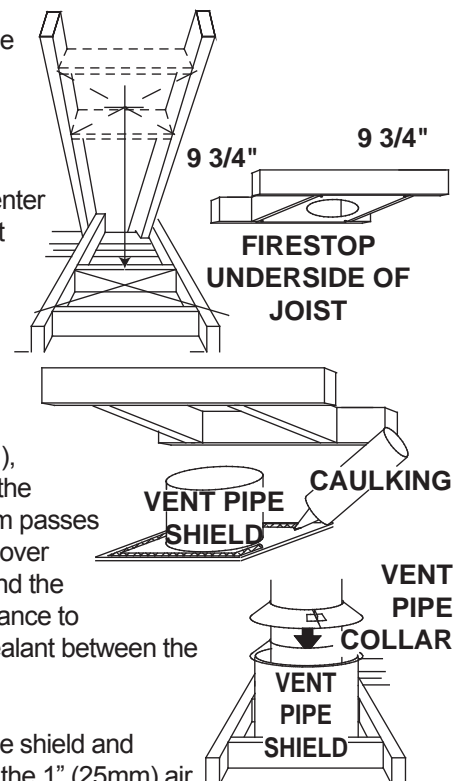


20.2A

4.1.2 VERTICAL INSTALLATION

This application occurs when venting through a roof. Installation kits for various roof pitches are available from your authorized dealer / distributor. See accessories to order specific kits required.

- A. Determine the air terminal location, cut and frame a square opening as illustrated in the ceiling and the roof to provide the minimum 1" (25mm) clearance between the vent pipe and any combustible material. Try to center the vent pipe location midway between two joists to prevent having to cut them. Use a plumb bob to line up the center of the openings. A vent pipe shield will prevent any materials such as insulation, from filling up the 1" (25mm) air space around the pipe. Nail headers between the joist for extra support.
- B. Apply a bead of caulking (not supplied) to the framework or to the Wolf Steel vent pipe shield plate or equivalent (in the case of a finished ceiling), and secure over the opening in the ceiling. A firestop must be placed on the bottom of each framed opening in a roof or ceiling that the venting system passes through. Apply a bead of caulking all around and place a firestop spacer over the vent shield to restrict cold air from being drawn into the room or around the fireplace. Ensure that both spacer and shield maintain the required clearance to combustibles. Once the vent pipe is installed in its final position, apply sealant between the pipe and the firestop assembly.
- C. In the attic, slide the vent pipe collar down to cover up the open end of the shield and tighten. This will prevent any materials, such as insulation, from filling up the 1" (25mm) air space around the pipe.



21.1

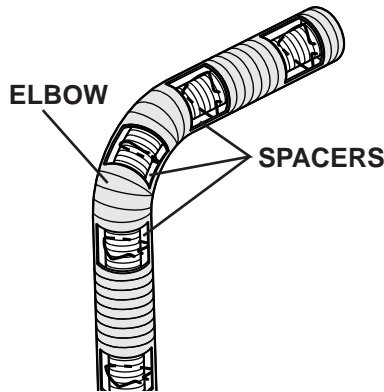
4.2 USING FLEXIBLE VENT COMPONENTS

EN

! WARNING

DO NOT ALLOW THE INNER FLEX PIPE TO BUNCH UP ON HORIZONTAL OR VERTICAL RUNS AND ELBOWS. KEEP IT PULLED TIGHT.

SPACERS ARE ATTACHED TO THE INNER FLEX PIPE AT PREDETERMINED INTERVALS TO MAINTAIN AN EVEN AIR GAP TO THE OUTER FLEX PIPE. THIS GAP IS REQUIRED FOR SAFE OPERATION. A SPACER IS REQUIRED AT THE START, MIDDLE AND END OF EACH ELBOW TO ENSURE THIS GAP IS MAINTAINED. THESE SPACERS MUST NOT BE REMOVED.



For safe and proper operation of the appliance, follow the venting instructions exactly.

All inner flex pipe and outer flex pipe joints may be sealed using high temperature sealant W573-0002 (not supplied) or the high temperature sealant W573-0007 Mill Pac (not supplied). However, the high temperature sealant W573-0007 Mill Pac (not supplied) must be used on the joint connecting the inner flex pipe and the exhaust flue collar.

Use only approved flexible vent pipe kits marked:

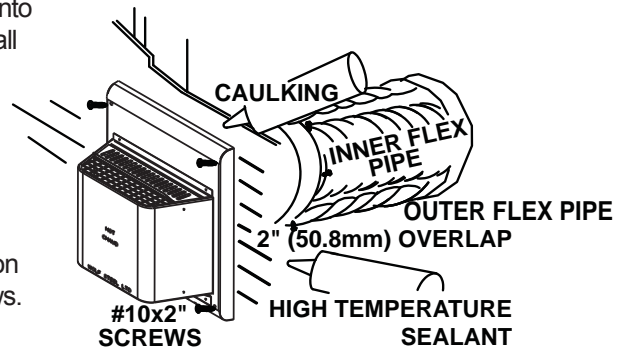


“Wolf Steel Approved Venting” as identified by the stamp only on the outer flex pipe.

22.1

4.2.1 HORIZONTAL AIR TERMINAL INSTALLATION

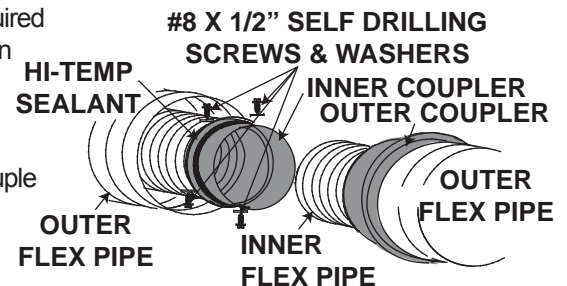
- A.** Stretch the inner flex pipe to the required length taking into account the additional length needed for the finished wall surface. Apply a heavy bead of the high temperature sealant W573-0007 Mill Pac (not supplied) to the inner sleeve of the air terminal. Slip the vent pipe a minimum of 2" (50.8mm) over the inner sleeve of the air terminal and secure with 3 #8 screws.



- B.** Using the outer flex pipe, slide over the outer combustion air sleeve of the air terminal and secure with 3 #8 screws. Seal using high temperature sealant W573-0002 (not supplied).

- C.** Insert the vent pipes through the firestop maintaining the required clearance to combustibles. Holding the air terminal (lettering in an upright, readable position), secure to the exterior wall and make weather tight by sealing with caulking (not supplied).

- D.** If more vent pipe needs to be used to reach the fireplace, couple them together as illustrated. The vent system must be supported approximately every 3 feet (0.9m) for both vertical and horizontal runs. Use noncombustible strapping to maintain the minimum clearance to combustibles.



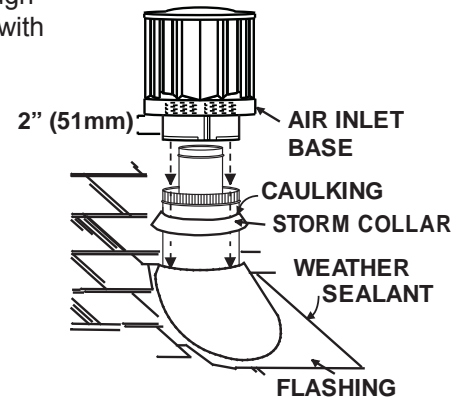
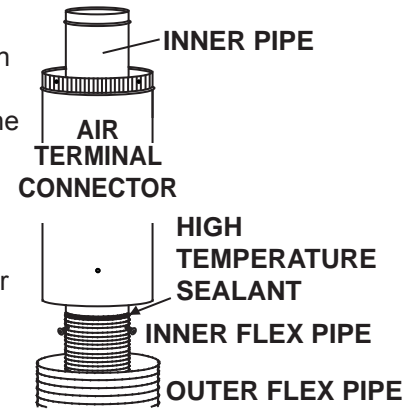
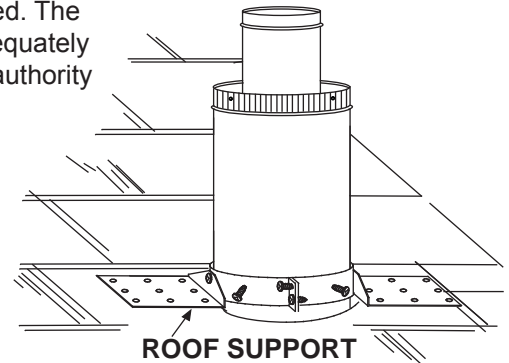
The air terminal mounting plate may be recessed into the exterior wall or siding no greater than the depth of its return flange.

23.1B

4.2.2 VERTICAL AIR TERMINAL INSTALLATION

! WARNING**MAINTAIN A MINIMUM 2" (51mm) SPACE BETWEEN THE AIR INLET BASE AND THE STORM COLLAR.**

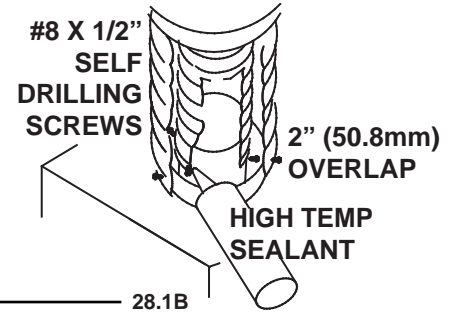
- A.** Fasten the roof support to the roof using the screws provided. The roof support is optional. In this case the venting is to be adequately supported using either an alternate method suitable to the authority having jurisdiction or the optional roof support.
- B.** Stretch the inner flex pipe to the required length. Slip the inner flex pipe a minimum of 2" (51mm) over the inner pipe of the air terminal connector and secure with 3 #8 screws. Seal using a heavy bead of high temperature sealant W573-0007 (not supplied).
- C.** Repeat using the outer flex pipe, using a heavy bead of high temperature sealant W573-0002 (not supplied).
- D.** Thread the air terminal connector / vent pipe assembly down through the roof. The air terminal must be positioned vertically and plumb. Attach the air terminal connector to the roof support, ensuring that the top of the air terminal is 16" (406mm) above the highest point that it penetrates the roof.
- E.** Remove nails from the shingles, above and to the sides of the air terminal connector. Place the flashing over the air terminal connector leaving a min. 3/4" (19mm) of the air terminal connector showing above the top of the flashing. Slide the flashing underneath the sides and upper edge of the shingles. Ensure that the air terminal connector is properly centred within the flashing, giving a 3/4" (19mm) margin all around. Fasten to the roof. Do not nail through the lower portion of the flashing. Make weather-tight by sealing with caulking. Where possible, cover the sides and top edges of the flashing with roofing material.
- F.** Aligning the seams of the terminal and air terminal connector, place the terminal over the air terminal connector making sure the vent pipe goes into the hole in the terminal. Secure with the three screws provided.
- G.** Apply a heavy bead of weatherproof caulking 2" (51mm) above the flashing. Install the storm collar around the air terminal and slide down to the caulking. Tighten to ensure that a weather-tight seal between the air terminal and the collar is achieved.
- H.** If more vent pipe needs to be used to reach the appliance see "HORIZONTAL AIR TERMINAL INSTALLATION" section.



24.1A

4.2.3 APPLIANCE VENT CONNECTION

- A. Install the inner flex pipe to the appliance. Secure with 3 screws and flat washers. Seal the joint and screw holes using the high temperature sealant W573-0007 (not supplied).
- B. Install the outer flex pipe to the appliance. Attach and seal the joints using the high temperature sealant Mill-Pac.



4.3 USING RIGID VENT COMPONENTS

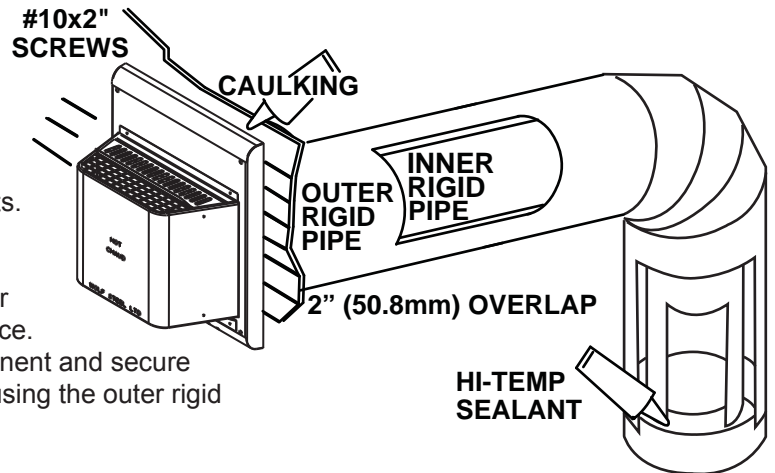
The vent system must be supported approximately every 3 feet (0.9m) for both vertical and horizontal runs. Use Wolf Steel Ltd. support ring assembly or equivalent noncombustible strapping to maintain the minimum clearance to combustibles for both vertical and horizontal runs.

All inner exhaust and outer intake vent pipe joints may be sealed using either red high temperature silicone sealant W573-0002 (not supplied) or black high temperature sealant W573-0007 Mill Pac (not supplied) with the exception of the appliance exhaust flue collar which must be sealed using Mill Pac.

25.1A

4.3.1 HORIZONTAL AIR TERMINAL INSTALLATION

- A.** Move the appliance into position. Measure the vent length required between terminal and appliance taking into account the additional length needed for the finished wall surface and any 1¼" (31.8mm) overlaps between venting components.



- B.** Apply high temperature sealant W573-0007 (not supplied) to the outer edge of the inner collar of the appliance. Attach the first inner rigid pipe component and secure using 3 self tapping screws. Repeat using the outer rigid pipe.

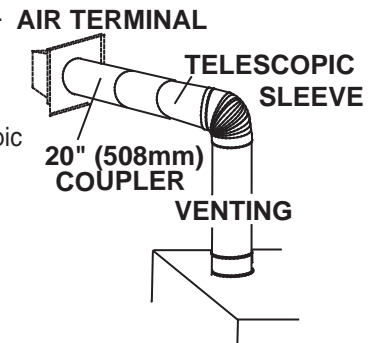
- C.** Insert the vent pipes through the firestop maintaining the required clearance to combustibles. Holding the air terminal (lettering in an upright, readable position), secure to the exterior wall and make weather tight by sealing with caulking (not supplied).

The air terminal mounting plate may be recessed into the exterior wall or siding no greater than the depth of the return flange.

26.3

4.3.2 EXTENDED HORIZONTAL AND CORNER AIR TERMINAL INSTALLATION

- A.** Follow the instructions for "HORIZONTAL AIR TERMINAL INSTALLATIONS" section.
- B.** Continue adding components alternating inner rigid pipe and outer rigid pipe. Ensure that all inner rigid pipe and elbows have sufficient vent spacers attached and each component is sealed and securely fastened to the one prior. Attach the inner telescopic sleeve to the vent run. Repeat using the outer telescopic sleeve. Seal and secure as before. To facilitate completion, attach inner and outer couplers to the air terminal.
- C.** Install the air terminal. See "HORIZONTAL AIR TERMINAL INSTALLATION" section.



48.1A

4.3.3 VERTICAL AIR TERMINAL INSTALLATION

NOTE: Before attaching elbows to the collars on the back of the appliance, 1 1/2" (38.1mm) will need to be trimmed off the 4" (101.6mm) collar.

REAR VENT APPLICATION: Attach 4" (101.6mm) and 7" (177.8mm) elbows to the appliance. Secure with 3 screws and seal the joints and screw heads using high temperature sealant.

Proceed to step A below.

TOP VENT APPLICATION:

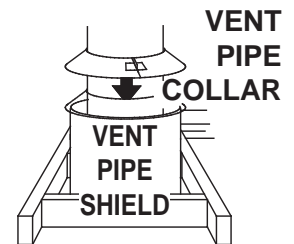
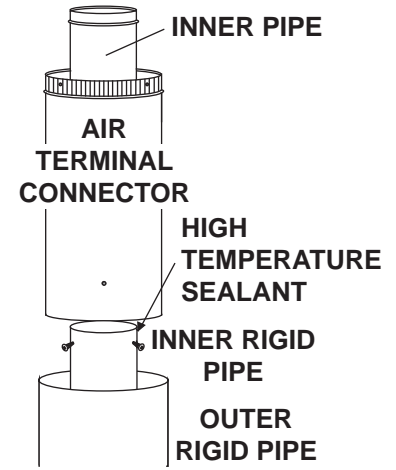
- A. Move the appliance into position.
- B. Fasten the roof support to the roof using the screws provided. The roof support is optional. In this case the venting is to be adequately supported using either an alternate method suitable to the authority having jurisdiction or the optional roof support.
- C. Apply high temperature sealant W573-0007 (not supplied) to the outer edge of the inner sleeve of the air terminal. Slip the inner coupler a minimum of 2" (50.8mm) over the sleeve and secure using 3 screws.
- D. Apply high temperature sealant W573-0002 (not supplied) to the outer edge of the of the outside sleeve of the air terminal connector. Slip the outer coupler over the sleeve and secure as before. Trim the outer coupler even with the inner coupler end.
- E. Thread the air terminal connector / vent pipe assembly down through the roof support and attach, ensuring that a minimum 16" (406.4mm) of air terminal connector will penetrate the roof when fastened. If the attic space is tight, we recommend threading the Wolf Steel vent pipe collar or equivalent loosely onto the air terminal connector / vent pipe assembly as it is passed through the attic. The air terminal connector must be positioned vertically and plumb.
- F. Remove nails from the shingles, above and to the sides of the air terminal connector. Place the flashing over the air terminal connector and slide it underneath the sides and upper edge of the shingles. Ensure that the air terminal connector is properly centered within the flashing, giving a 3/4" (19.1mm) margin all around. Fasten to the roof. **Do NOT nail through the lower portion of the flashing.** Make weather-tight by sealing with caulking. Where possible, cover the sides and top edges of the flashing with roofing material.
- G. Apply a heavy bead of waterproof caulking 2" (50.8mm) above the flashing. Install the storm collar around the air terminal and slide down to the caulking. Tighten to ensure that a weather-tight seal between the air terminal connector and the collar is achieved.
- H. Continue adding rigid venting sections, sealing and securing as above. Attach the inner collapsed telescopic sleeve to the last section of rigid piping. Secure with screws and seal. Repeat using the outer telescopic sleeve.

REAR VENT APPLICATION:

- I. Run a bead of high temperature sealant W573-0007 (not supplied) around the outside of the inner elbow. Pull the telescopic sleeve a minimum of 2" (50.8mm) onto the elbow. Secure with 3 screws. Repeat with the outer telescopic sleeve.

TOP VENT APPLICATION:

- J. Run a bead of high temperature sealant W573-0007 (not supplied) around the outside of the inner collar on the appliance. Pull the telescopic sleeve a minimum of 2" (50.8mm) onto the collar. Secure with 3 screws. Repeat with the outer telescopic sleeve.
- K. In the attic, slide the vent pipe collar down to cover up the open end of the shield and tighten. This will prevent any materials, such as insulation, from filling up the 1" (25.4mm) air space around the pipe



27.1A

4.4 VERTICAL THROUGH EXISTING CHIMNEY

EN

! WARNING
RISK OF FIRE!

CO-AXIAL TO CO-LINEAR VENTING CONFIGURATIONS MUST ONLY BE USED IN A NON-COMBUSTIBLE CHIMNEY OR ENCLOSURE. INSTALLATION IN A COMBUSTIBLE ENCLOSURE COULD RESULT IN A FIRE.

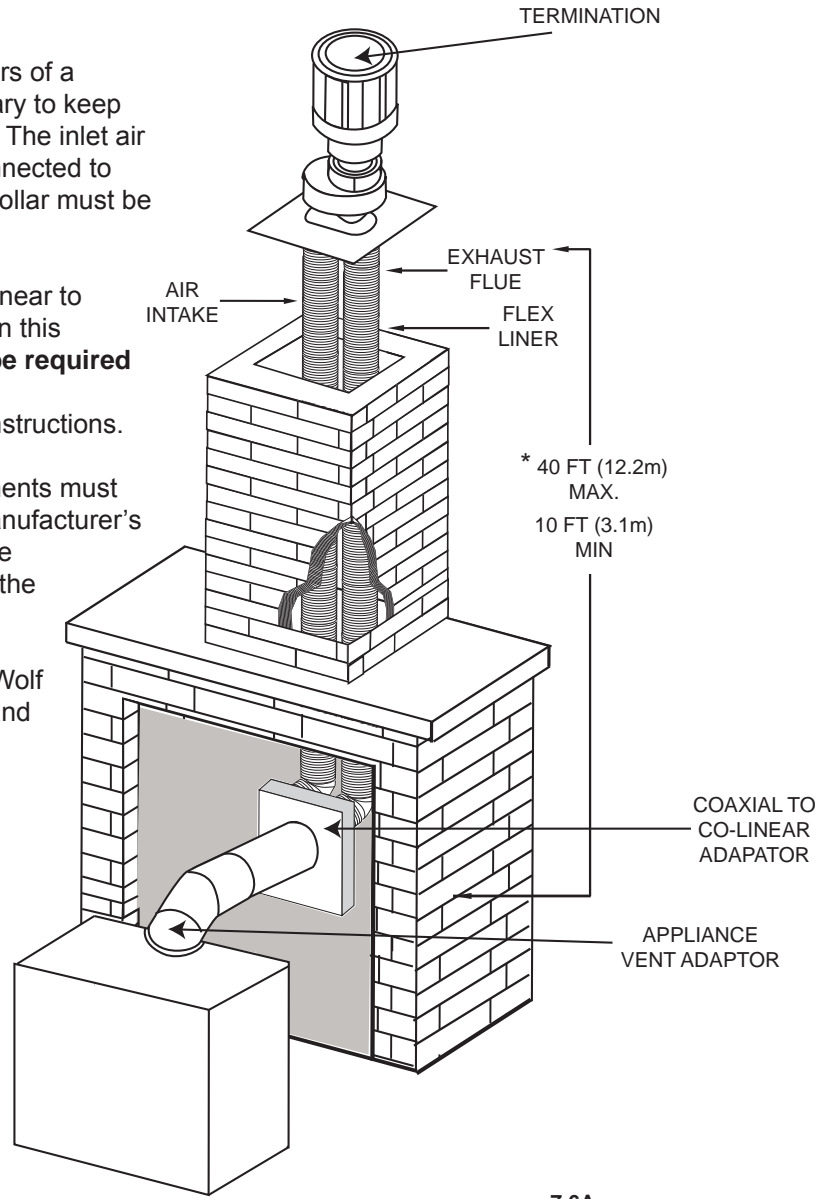
This appliance is designed to be attached to a 3" (76.2mm) co-linear aluminum flex vent system running the full length of a masonry chimney.

The flex liners accommodate any contours of a masonry chimney, however, it is necessary to keep the flexible liners as straight as possible. The inlet air collar of the termination cap must be connected to the air intake flex liner and the exhaust collar must be connected to the exhaust flexible liner.

Both Simpson Duravent and Selkirk co-linear to co-axial adaptors have been approved on this appliance (**NOTE: A vent adaptor will be required directly off the appliance**). Follow vent manufacturer's installation instructions.

Different manufacturer's venting components must not be combined. Once the preferred manufacturer's appliance adaptor has been attached, the remainder of the system must be that of the same manufacturer.

The only exception to this rule is to use Wolf Steel's approved 3" (76.2mm) flex liner and co-linear termination.



* Measured from appliance flue collar to termination flue collar

7.6A

4.5 MOBILE HOME INSTALLATION

This appliance is also certified to be installed as an OEM (Original Equipment Manufacturer) installation in a manufactured home (U.S. only) or mobile home and must be installed in accordance with the manufacturer's instructions and the Manufactured Home Construction and Safety Standard, Title 24 CFR, Part 3280, in the United States or the Mobile Home Standard, CAN/CSA Z240 MH Series, in Canada. This appliance is only for use with the type(s) of gas indicated on the rating plate.

This Mobile/Manufactured Home Listed appliance comes factory equipped with a means to secure the unit. Built in appliances are equipped with 1/4" (6.4mm) diameter holes located in the front left and right corners of the base. Use #10 hex head screws, inserted through the holes in the base to secure. For free standing products contact your local authorized dealer / distributor for the appropriate securing kit. For mobile home installations, the appliance must be fastened in place. It is recommended that the appliance be secured in all installations. Always turn off the pilot and the fuel supply at the source, prior to moving the mobile home. After moving the mobile home and prior to lighting the appliance, ensure that the logs are positioned correctly.

This appliance is certified to be installed in an aftermarket permanently located, manufactured (mobile) home, where not prohibited by local codes.
This appliance is only for use with the type of gas indicated on the rating plate. This appliance is not convertible for use with other gases, unless a certified kit is used.

A conversion kit is supplied with the mobile home appliance.

Conversion Kits

This appliance is field convertible between Natural Gas (NG) and Propane (LP).

To convert from one gas to another consult your Authorized dealer/distributor.

29.1A

4.6 GAS INSTALLATION

EN

! WARNING
RISK OF FIRE, EXPLOSION OR ASPHYXIATION. ENSURE THERE ARE NO IGNITION SOURCES SUCH AS SPARKS OR OPEN FLAMES.
SUPPORT GAS CONTROL WHEN ATTACHING GAS SUPPLY PIPE TO PREVENT DAMAGING GAS LINE.
ALWAYS LIGHT THE PILOT WHETHER FOR THE FIRST TIME OR IF THE GAS SUPPLY HAS RUN OUT WITH THE GLASS DOOR OPENED OR REMOVED. PURGING OF THE GAS SUPPLY LINE SHOULD BE PERFORMED BY A QUALIFIED SERVICE TECHNICIAN. ASSURE THAT A CONTINUOUS GAS FLOW IS AT THE BURNER BEFORE CLOSING THE DOOR. ENSURE ADEQUATE VENTILATION. FOR GAS AND ELECTRICAL LOCATIONS, SEE "DIMENSION" SECTION.
ALL GAS CONNECTIONS MUST BE CONTAINED WITHIN THE APPLIANCE WHEN COMPLETE.
HIGH PRESSURE WILL DAMAGE VALVE. DISCONNECT GAS SUPPLY PIPING BEFORE TESTING GAS LINE AT TEST PRESSURES ABOVE 1/2 PSIG.
VALVE SETTINGS HAVE BEEN FACTORY SET, DO NOT CHANGE.

Installation and servicing to be done by a qualified installer. **Do not use open flame.**

- Move the appliance into position and secure.
- If equipped with a flex connector the appliance is designed to accept a 1/2" (13mm) gas supply. Without the connector it is designed to accept a 3/8" (9.5mm) gas supply. The appliance is equipped with a manual shut off valve to turn off the gas supply to the appliance.
- Connect the gas supply in accordance to local codes. In the absence of local codes, install to the current CAN/CSA-B149.1 Installation Code in Canada or to the current National Fuel Gas Code, ANSI Z223.1 / NFPA 54 in the United States.
- When flexing any gas line, support the gas valve so that the lines are not bent or kinked.
- Check for gas leaks by brushing on a soap and water solution.

30.1

4.7 OPTIONAL WALL SWITCH

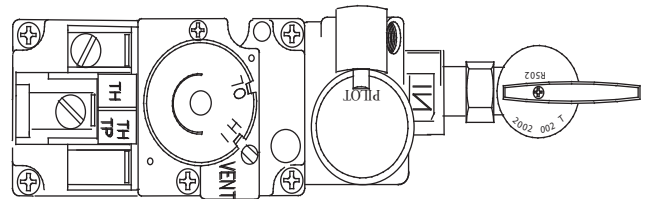
! WARNING
DO NOT CONNECT EITHER THE WALL SWITCH, THERMOSTAT OR GAS VALVE DIRECTLY TO 110 VOLT ELECTRICITY.

The main burner and Night Light™ switch is located behind lower access panel. For ease of accessibility, optional remote wall switches may be installed in a convenient location for both burner and light operation.

The recommended maximum lead length depends on wire size:

WIRE SIZE	MAX. LENGTH
14 gauge (1.8mm)	100 feet (30.5m)
16 gauge (1.5mm)	60 feet (18.3m)
18 gauge (1.2mm)	40 feet (12.2m)

Route 2-strand (solid core) wire through the electrical hole located at the bottom left side of the unit. Connect the wires from the main burner wall switch to the two corresponding spade connectors on the back of the on/off switch for the burner located behind the lower access panel. Repeat connecting the wires to the Night Light™ on/off switch for remote operation.



50.4A

5.0 FRAMING

EN

! WARNING
RISK OF FIRE!
IN ORDER TO AVOID THE POSSIBILITY OF EXPOSED INSULATION OR VAPOUR BARRIER COMING IN CONTACT WITH THE APPLIANCE BODY, IT IS RECOMMENDED THAT THE WALLS OF THE APPLIANCE ENCLOSURE BE "FINISHED" (IE: DRYWALL / SHEETROCK), AS YOU WOULD FINISH ANY OTHER OUTSIDE WALL OF A HOME. THIS WILL ENSURE THAT CLEARANCE TO COMBUSTIBLES IS MAINTAINED WITHIN THE CAVITY.
DO NOT NOTCH THE FRAMING AROUND THE APPLIANCE STAND-OFFS. FAILURE TO MAINTAIN AIR SPACE CLEARANCE MAY CAUSE OVER HEATING AND FIRE. PREVENT CONTACT WITH SAGGING OR LOOSE INSULATION OR FRAMING AND OTHER COMBUSTIBLE MATERIALS. BLOCK OPENING INTO THE CHASE TO PREVENT ENTRY OF BLOWN-IN INSULATION. MAKE SURE INSULATION AND OTHER MATERIALS ARE SECURED.
WHEN CONSTRUCTING THE ENCLOSURE ALLOW FOR FINISHING MATERIAL THICKNESS TO MAINTAIN CLEARANCES. FRAMING OR FINISHING MATERIAL CLOSER THAN THE MINIMUMS LISTED MUST BE CONSTRUCTED ENTIRELY OF NON-COMBUSTIBLE MATERIALS. MATERIALS CONSISTING ENTIRELY OF STEEL, IRON, BRICK, TILE, CONCRETE, SLATE, GLASS OR PLASTERS, OR ANY COMBINATION THEREOF ARE SUITABLE. MATERIALS THAT ARE REPORTED AS PASSING ASTM E 136, STANDARD TEST METHOD FOR BEHAVIOUR OF MATERIALS IN A VERTICAL TUBE FURNACE AT 1382° F (750°C) AND UL763 SHALL BE CONSIDERED NON-COMBUSTIBLE MATERIALS.
MINIMUM CLEARANCE TO COMBUSTIBLES MUST BE MAINTAINED OR A SERIOUS FIRE HAZARD COULD RESULT.
THE APPLIANCE REQUIRES A MINIMUM ENCLOSURE HEIGHT. MEASURE FROM THE APPLIANCE BASE.
IF STEEL STUD FRAMING KITS WITH CEMENT BOARD ARE PROVIDED, OR SPECIFIED IN THE INSTALLATION INSTRUCTIONS. THEY MUST BE INSTALLED.
FINISHING MUST BE DONE USING A NON-COMBUSTIBLE MATERIAL PLACED FLUSH WITH THE FRONT FACE OF THE UNIT AND EXTENDING FROM THE TOP OF THE UNIT SUCH AS CEMENT BOARD, CERAMIC TILE, MARBLE, ETC. DO <u>NOT</u> USE WOOD OR DRYWALL. ANY FIRE RATED DRYWALL IS NOT ACCEPTABLE.

71.1B

It is best to frame your appliance after it is positioned and the vent system is installed. Frame to local building codes.

To install the appliance face flush with the finished wall, position the framework to accommodate the thickness of the finished wall.

It is not necessary to install a hearth extension with this appliance system.

When roughing in the appliance, raise the appliance to accommodate for the thickness of the finished floor materials, i.e. tile, carpeting, hard wood, which if not planned for will interfere with the opening of the lower access door and the installation of many decorative flashing accessories.

5.1 MINIMUM CLEARANCE TO COMBUSTIBLES

EN

Minimum clearance to combustible construction from appliance and vent surfaces:

Combustible Framing:

- 0" to stand-offs
- 1" (25mm) to bottom and sides of the vent pipe*
- 2" (51mm) to top of the vent pipe*

Combustible Finishing:

- 0" to rear
- 0" to front face top and sides
- 13" (330mm) recessed depth

Rear Vent:

- 39 1/8" (994mm) to enclosure top from base of the unit
- 45 1/8" (1146mm) to ceiling from base of the unit

Top Vent:

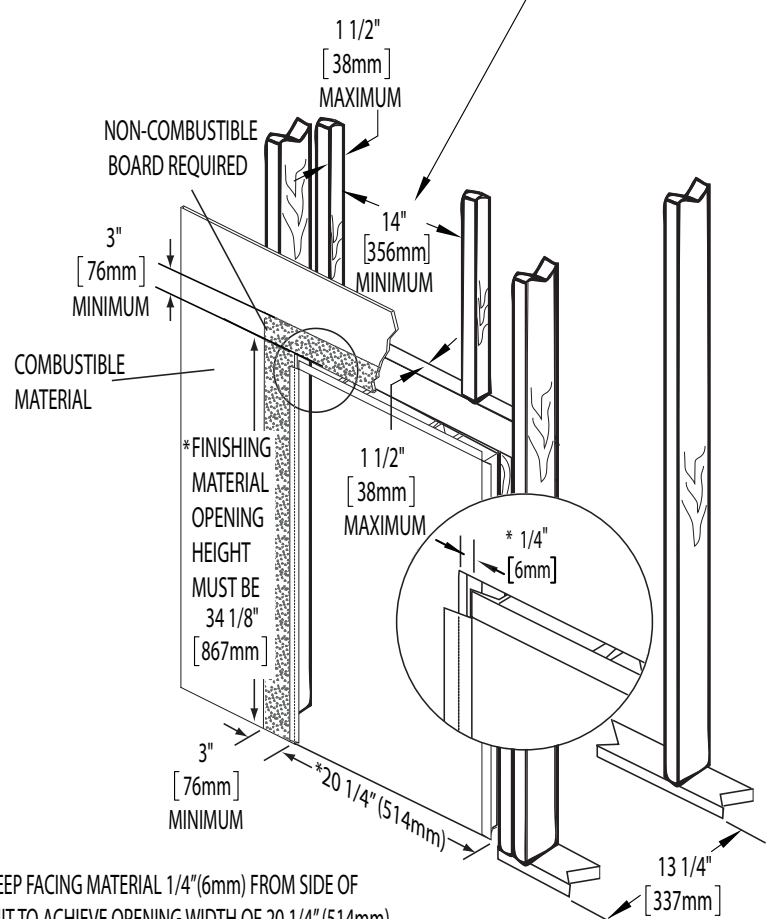
- 53 1/8" (1349mm) to enclosure top from base of the unit
- 53 1/8" (1349mm) to ceiling from base of the unit

* **HORIZONTAL VENT SECTIONS** - A minimum clearance of 1" (25mm) at the bottom and sides and 2" (51mm) at the top of the vent pipe in all horizontal runs to combustibles is required except for clearances in appliance enclosures, see "MINIMUM ENCLOSURE CLEARANCES" section. Use firestop spacer W010-1777 (supplied).

* **VERTICAL VENT SECTIONS** - A minimum of 1" (25mm) all around the vent pipe on all vertical runs to combustibles is required. Use firestop spacer W500-0096 (not supplied).

! WARNING

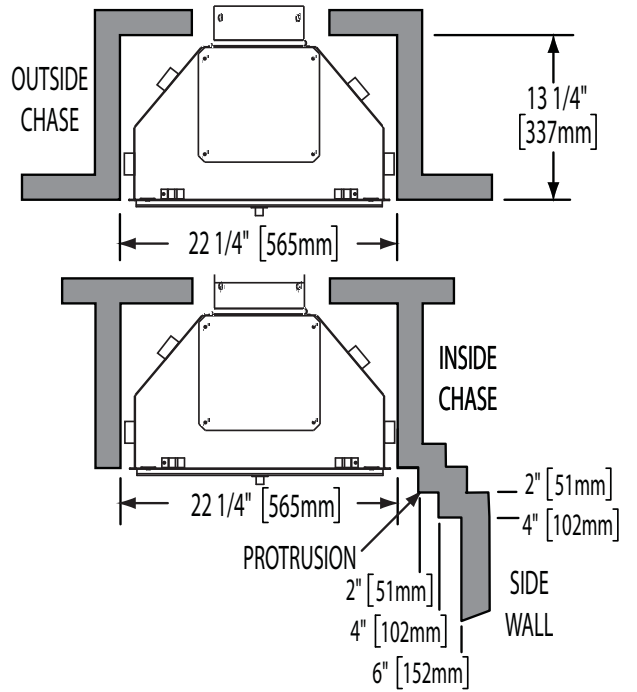
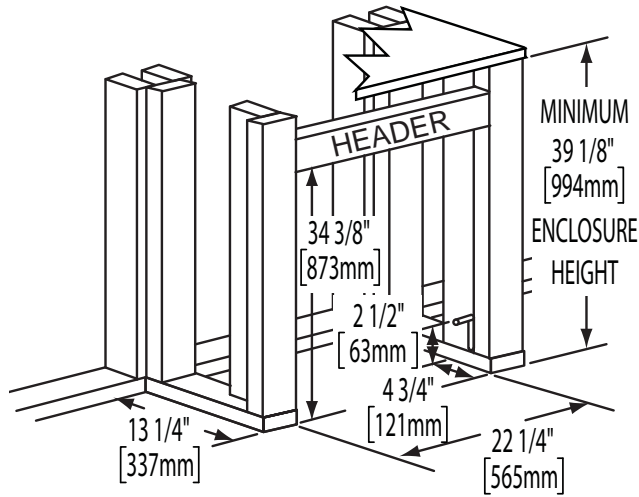
DO NOT BUILD INTO THIS AREA - IT MUST BE LEFT CLEAR TO PROVIDE ADEQUATE CLEARANCE FOR THE VENT. IN THIS 14" (356MM) WIDE AREA CENTRED ALONG THE FRONT OF THE APPLIANCE, NO COMBUSTIBLES ARE ALLOWED.



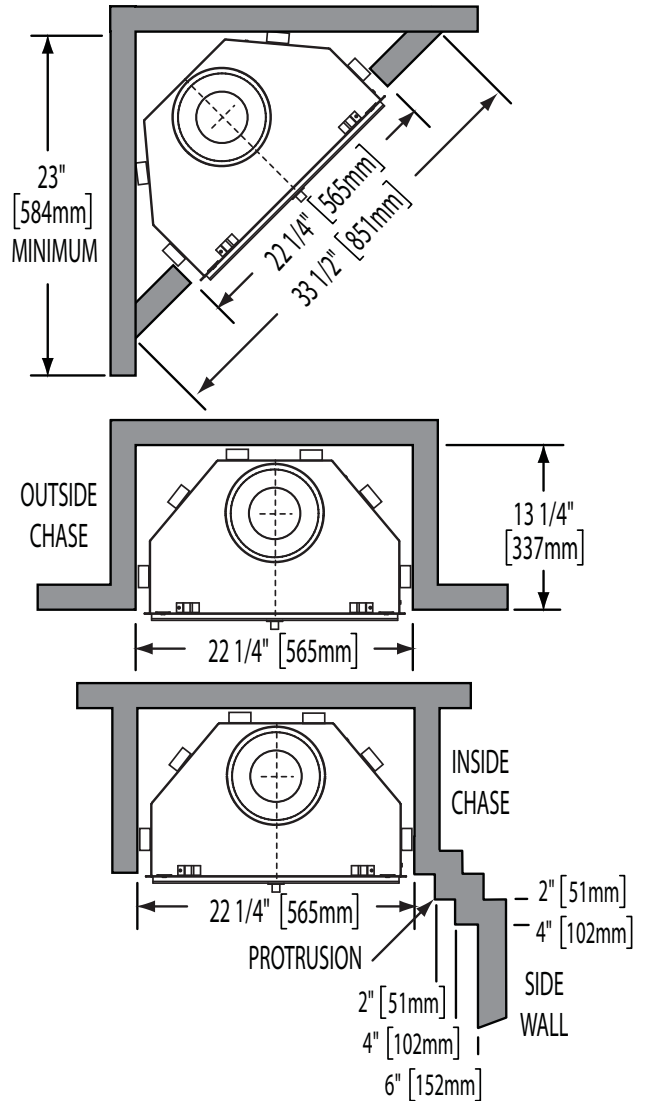
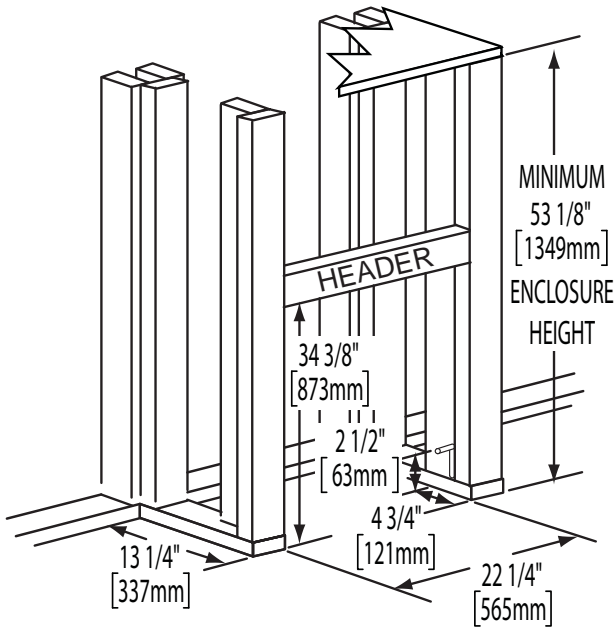
*KEEP FACING MATERIAL 1/4"(6mm) FROM SIDE OF UNIT TO ACHIEVE OPENING WIDTH OF 20 1/4"(514mm).
NOTE: MUST BE MAINTAINED FOR THE FACING KIT TO COVER THE OPENING

5.1.1 REAR VENT

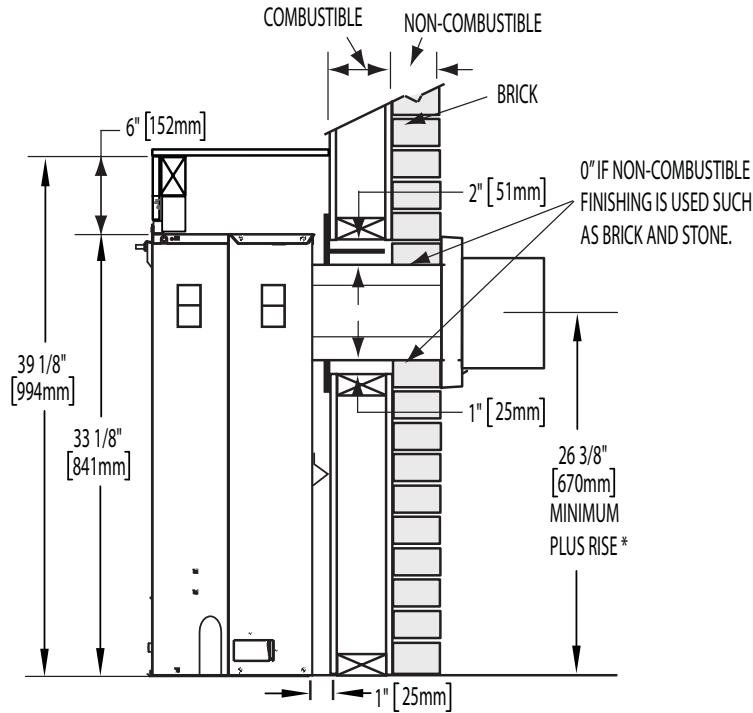
EN



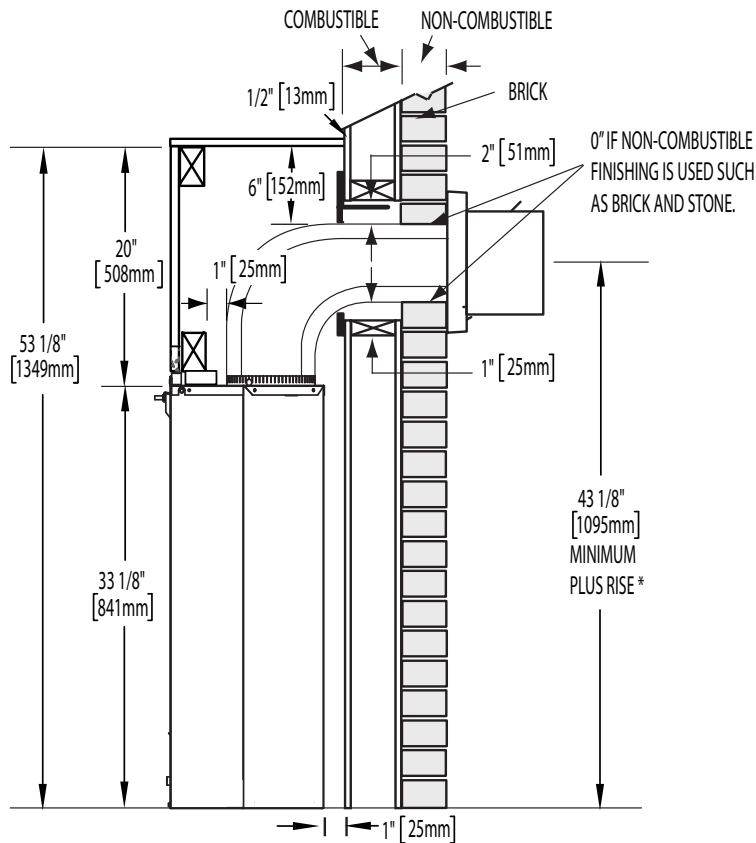
5.1.2 TOP VENT



5.2 MINIMUM CLEARANCE TO COMBUSTIBLE ENCLOSURES



* See "VENTING" section



* See "VENTING" section

The appliance requires a minimum enclosure height of 53 1/8" (1349mm) for a top vent, and 39 1/8" (994mm) for a rear vent. For temperature requirements, the enclosure space around and above the appliance must be left unobstructed.

** When terminating vertically on a top vented appliance, the height clearance can be reduced to 39 1/8" (994mm).

5.3 MINIMUM MANTEL CLEARANCES

! WARNING

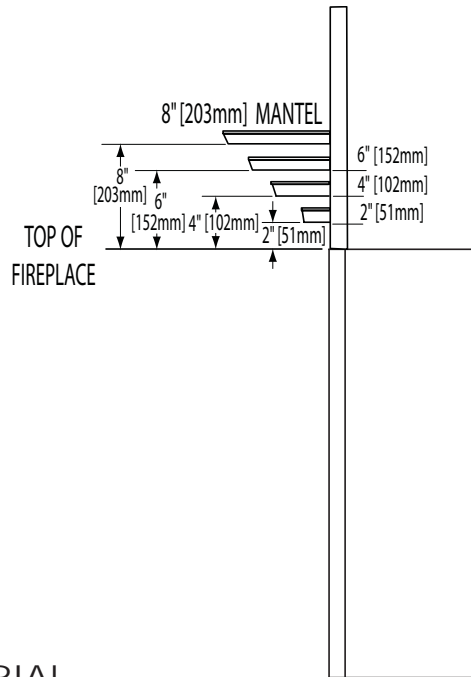
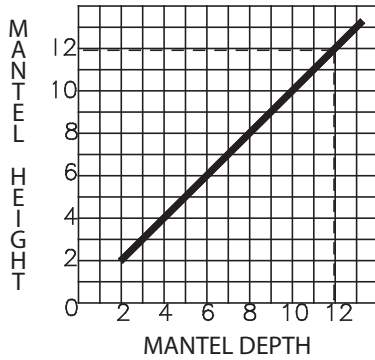
RISK OF FIRE, MAINTAIN ALL SPECIFIED AIR SPACE CLEARANCES TO COMBUSTIBLES. FAILURE TO COMPLY WITH THESE INSTRUCTIONS MAY CAUSE A FIRE OR CAUSE THE APPLIANCE TO OVERHEAT. ENSURE ALL CLEARANCES (I.E. BACK, SIDE, TOP, VENT, MANTEL, FRONT, ETC.) ARE CLEARLY MAINTAINED.

WHEN USING PAINT OR LACQUER TO FINISH THE MANTEL, THE PAINT OR LACQUER MUST BE HEAT RESISTANT TO PREVENT DISCOLOURATION.

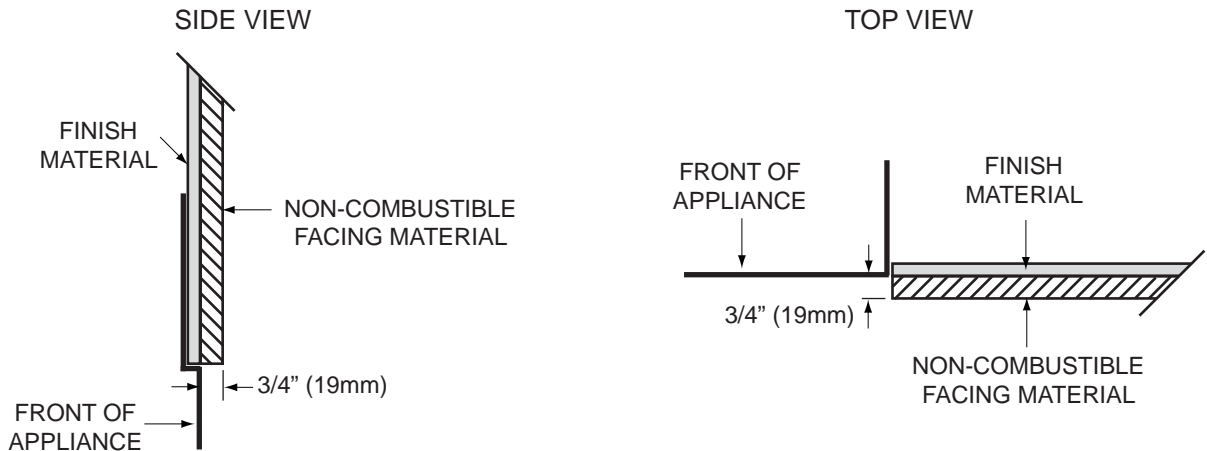
73.1

Mantel clearance can vary according to the mantel depth. Use the graph to help evaluate the clearance needed.

Combustible materials must be installed flush with the front of the appliance but must not cover any of the black face-area of the appliance. Non-combustible material (brick, stone or ceramic tile) may protrude past the face of the appliance.



5.4 NON-COMBUSTIBLE FACING MATERIAL



WARNING: Non-combustible facing material must not protrude more than 3/4" (19mm) from the top, and/or sides of the appliance. If it does, it is considered a non-combustible mantel and must meet the non-combustible mantel clearance requirements.

71.3A

6.0 ELECTRICAL CONNECTION

! WARNING

DO NOT USE THIS APPLIANCE IF ANY PART HAS BEEN UNDER WATER. CALL A QUALIFIED SERVICE TECHNICIAN IMMEDIATELY TO HAVE THE APPLIANCE INSPECTED FOR DAMAGE TO THE ELECTRICAL CIRCUIT.

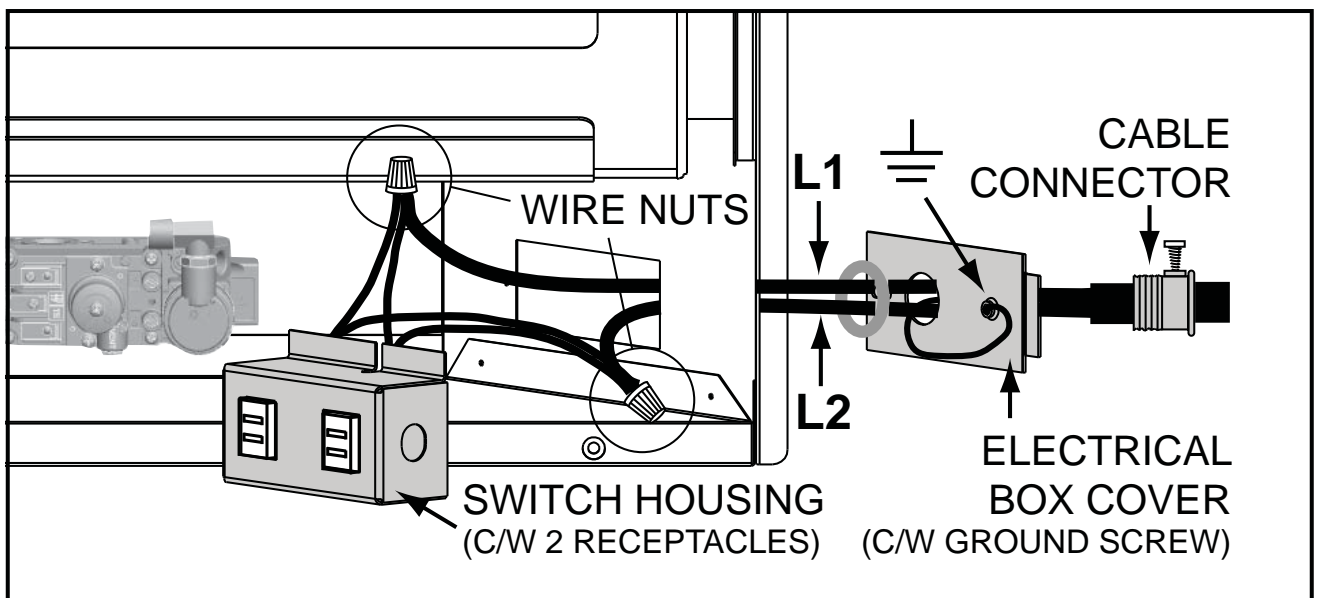
RISK OF ELECTRICAL SHOCK OR EXPLOSION. DO NOT WIRE 110V TO THE VALVE OR TO THE APPLIANCE WALL SWITCH. INCORRECT WIRING WILL DAMAGE CONTROLS.

ALL WIRING SHOULD BE DONE BY A QUALIFIED ELECTRICIAN AND SHALL BE IN COMPLIANCE WITH LOCAL CODES. IN THE ABSENCE OF LOCAL CODES, USE THE CURRENT CSA22.1 CANADIAN ELECTRIC CODE IN CANADA OR THE CURRENT NATIONAL ELECTRIC CODE ANSI/NFPA NO. 70 IN THE UNITED STATES.

ALWAYS LIGHT THE PILOT WHETHER FOR THE FIRST TIME OR IF THE GAS SUPPLY HAS RAN OUT, WITH THE GLASS DOOR OPENED OR REMOVED.

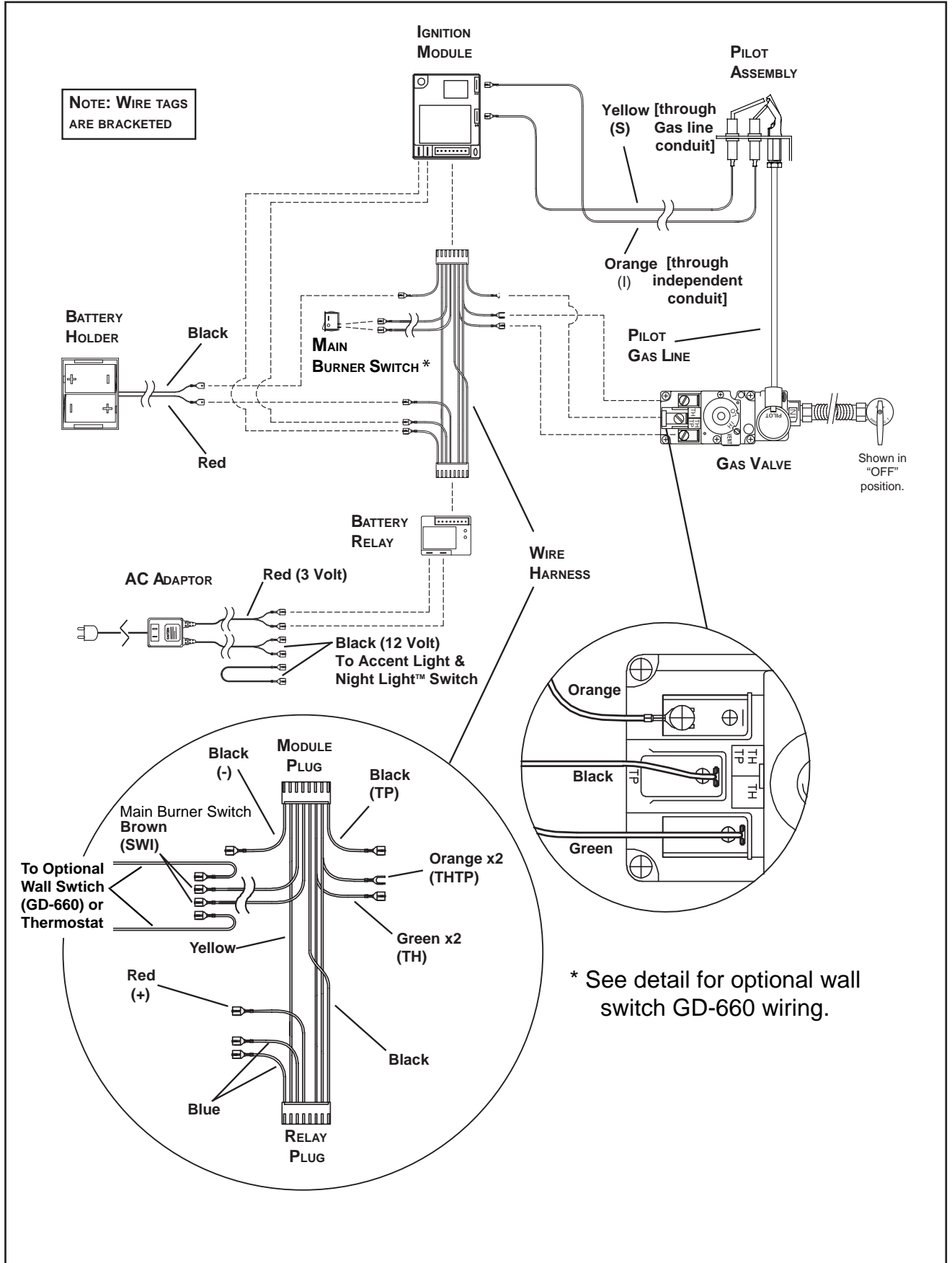
69.2

It is necessary to hard wire this appliance. Permanently framing the appliance with an enclosure, requires the appliance junction box to be hard wired.



7.0 WIRING DIAGRAM

EN



8.0 FINISHING

8.1 FRONT FACING KIT INSTALLATION

! WARNING

THE COMPONENTS IN THIS KIT ARE HEAVY, USE CARE WHEN LIFTING AND ENSURE THEY ARE FIRMLY SECURED ONCE INSTALLED.

THIS FRONT FACING DOES NOT REPLACE THE MAIN GLASS DOOR. DO NOT OPERATE WITHOUT THE MAIN GLASS DOOR INSTALLED.

THE FRONT FACING CAN SIT FLUSH WITH A COUNTER, FLOOR, OR HEARTH.

- A. Remove the safety screen and glass door, refer to "SAFETY SCREEN & GLASS DOOR" section.
- B. Install the side brackets, ensure the front face is on a soft surface to avoid any damages during bracket installation, see Figure 1.
- C. Install the safety screen, spline up, see Figure 2.
- D. Install the decorative facing trim as shown in Figure 3.
- E. Place the front facing onto the appliance and install the rest of the top trim and control panel as shown in Figure 4.

FIG. 1

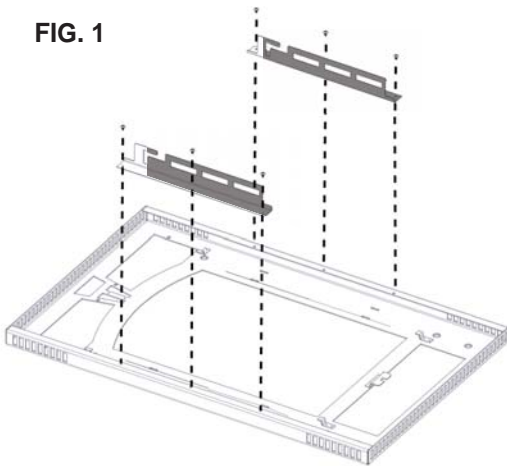


FIG. 2

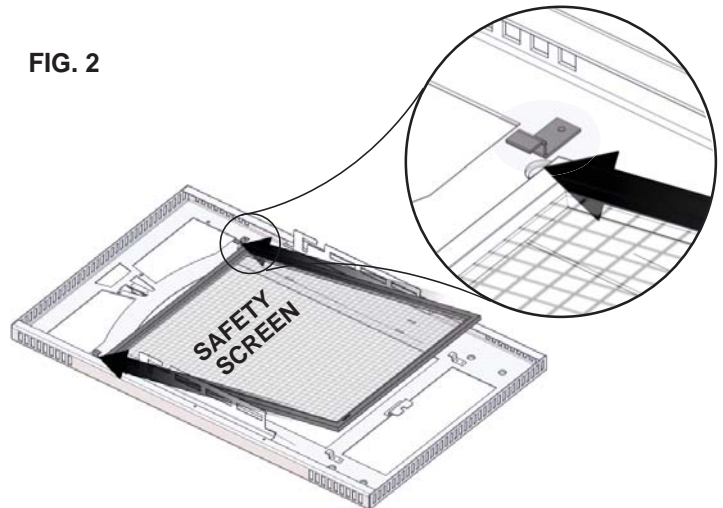


FIG. 3

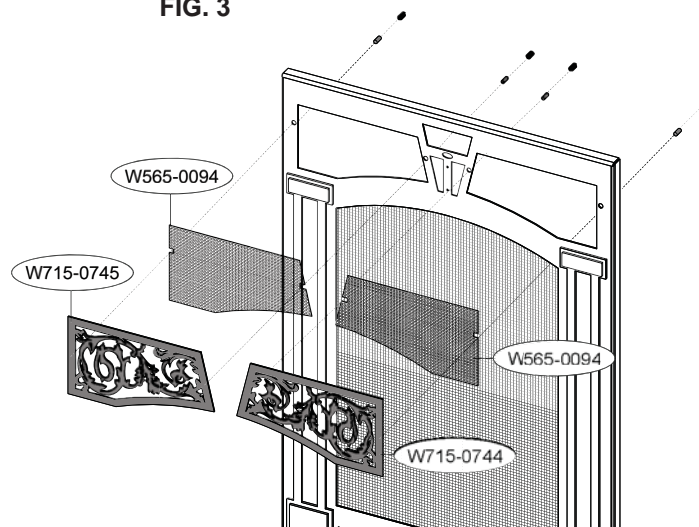
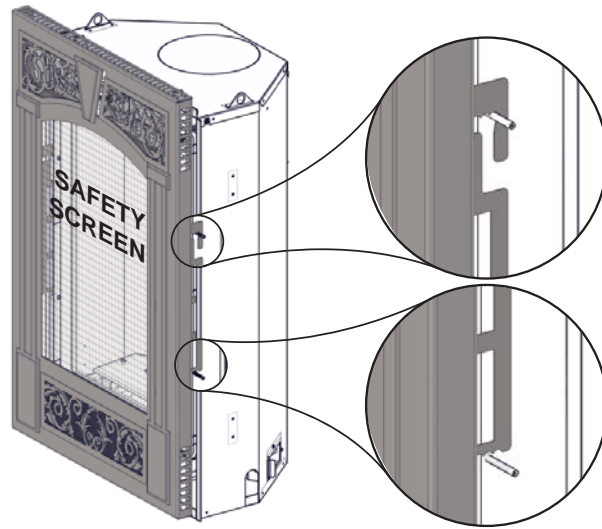
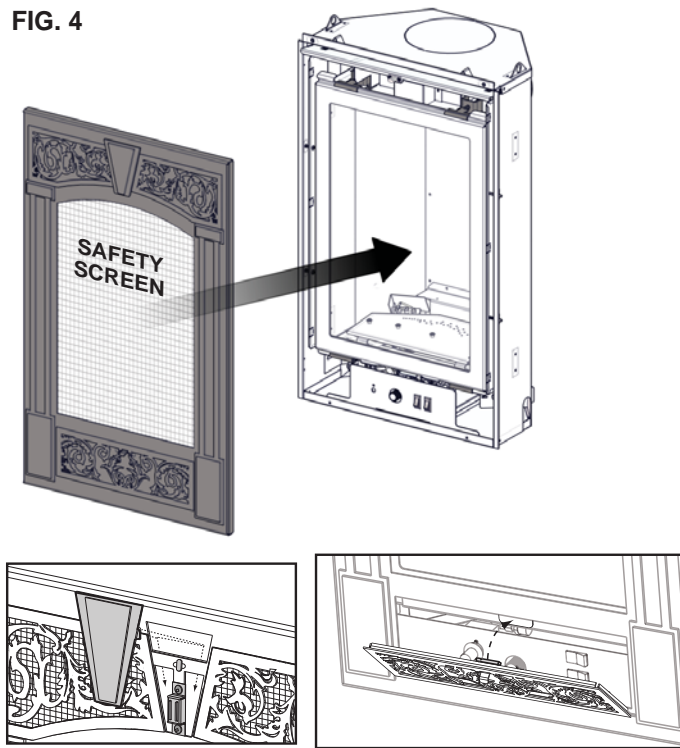


FIG. 4



8.2 CONTEMPORARY FRONT FACING KIT INSTALLATION

- A. Remove the safety screen and glass door, refer to "SAFETY SCREEN & GLASS DOOR" section.
- B. Install the side brackets, ensure the front face is on a soft surface to avoid any damages during bracket installation, see Figure 1.
- C. Install the lower side bracket on the front as shown in Figure 2.
- D. Install the safety screen, spline up, see Figure 3.
- E. Place the front facing onto the appliance and install the rest of the top trim and control panel as shown in Figure 4.

FIG. 1

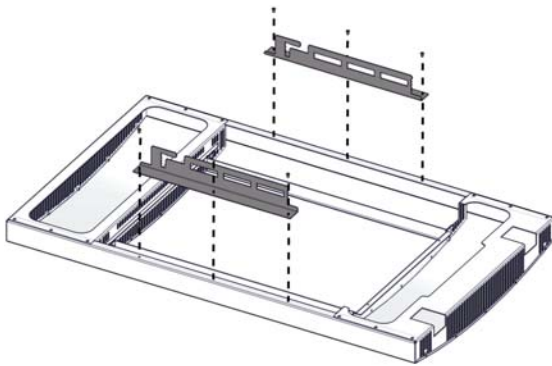


FIG. 2

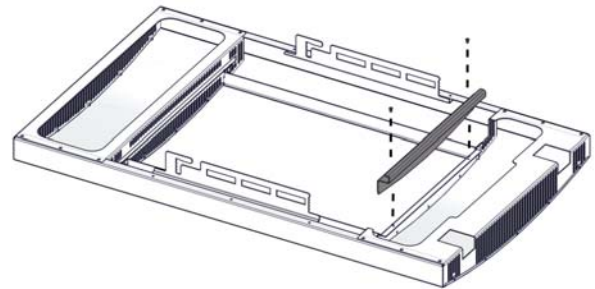


FIG. 3

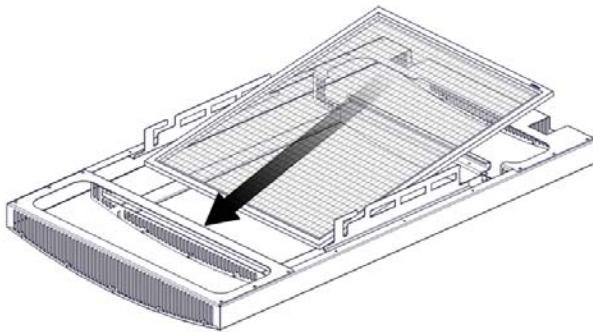
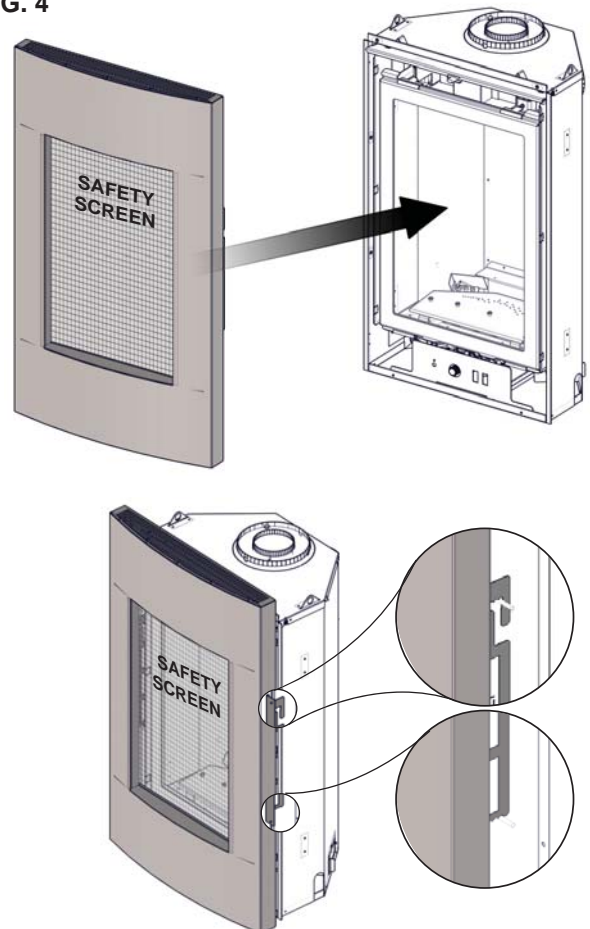


FIG. 4



8.3 SAFETY SCREEN & GLASS DOOR

A barrier designed to reduce the risk of burns from the hot viewing glass is provided with the appliance and shall be installed.

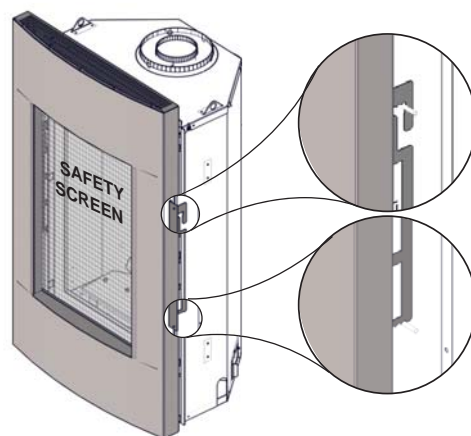
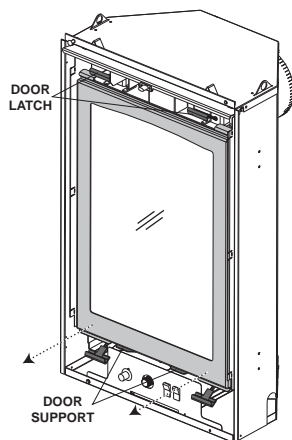
DOOR REMOVAL / INSTALLATION:

- A. The glass door is secured to the top and front bottom edges of the firebox with four spring latches. Pull forward on the latches and away from the door to release.
- B. Slide the door forward off its support.
- C. Reverse steps to re-install the glass door. Slide the front with safety screen onto the hooks over the top of the spacers and then let it slide down into position.

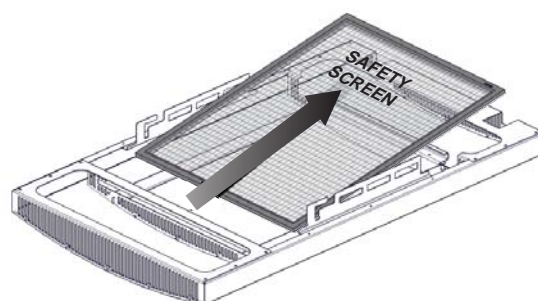
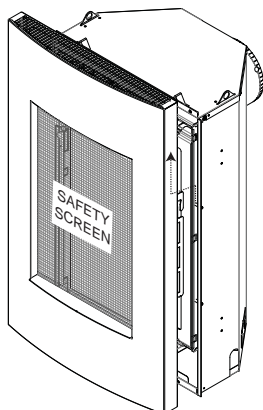
SAFETY SCREEN REMOVAL / INSTALLATION:

- A. Lift the front with safety screen up, pull it towards you and lift up and away from the appliance.
- B. Slide screen out and away from the front surround.
- C. Reverse steps to reinstall. Slide the front with safety screen onto the hooks over the top of the spacers and then let it slide down into position.

DOOR REMOVAL:

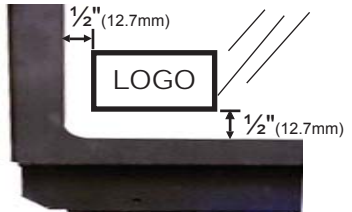


SAFETY SCREEN REMOVAL:



8.4 LOGO PLACEMENT

Remove the backing of the logo supplied and place on the glass viewing door, as indicated.



97.1A



8.5 BURNER INSTALLATION

See separate instructions accompanying the burner assembly (sold separately). Keep those instructions along with this manual.

8.6 REMOTE RECEIVER PLACEMENT



Position the remote receiver in the valve compartment close to the electrical junction box. Ensure the receiver is on top of the placement label, if equipped.

35.25

9.0 OPTIONAL BLOWER INSTALLATION

! WARNING

RISK OF FIRE AND ELECTRICAL SHOCK.

TURN OFF THE GAS AND ELECTRICAL POWER BEFORE SERVICING THIS APPLIANCE.

USE ONLY WOLF STEEL APPROVED OPTIONAL ACCESSORIES AND REPLACEMENT PARTS WITH THIS APPLIANCE. USING NON-LISTED ACCESSORIES (BLOWERS, DOORS, LOUVRES, TRIMS, GAS COMPONENTS, VENTING COMPONENTS, ETC.) COULD RESULT IN A SAFETY HAZARD AND WILL VOID THE WARRANTY AND CERTIFICATION.

ENSURE THAT THE FAN'S POWER CORD IS NOT IN CONTACT WITH ANY SURFACE OF THE APPLIANCE TO PREVENT ELECTRICAL SHOCK OR FIRE DAMAGE. DO NOT RUN THE POWER CORD BENEATH THE APPLIANCE.

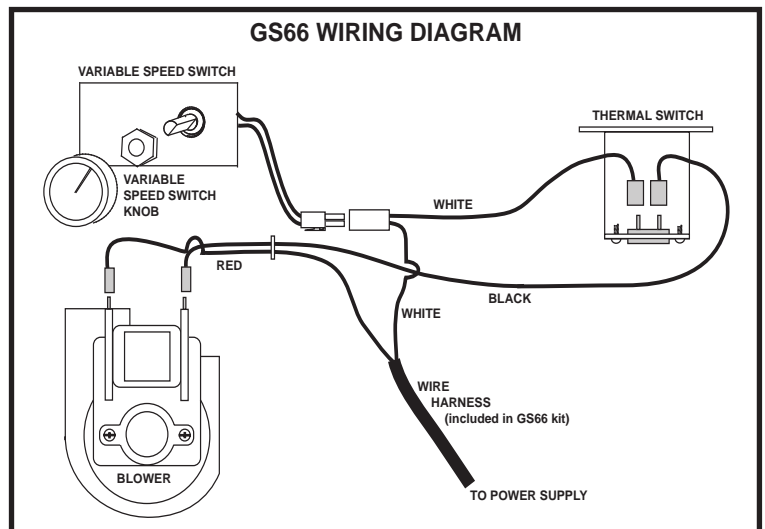
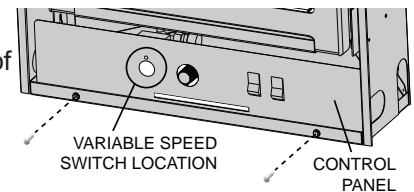
THE WIRE HARNESS PROVIDED IN THE BLOWER KIT IS A UNIVERSAL HARNESS. WHEN INSTALLED, ENSURE THAT ANY EXCESS WIRE IS CONTAINED, PREVENTING IT FROM MAKING CONTACT WITH MOVING OR HOT OBJECTS.

51.5

ELECTRICAL INSTALLATION TO BE DONE BY A QUALIFIED INSTALLER and must be connected and grounded in accordance with local codes. In the absence of local codes, use the current CSA C22.1 Canadian Electrical Code in Canada or the current ANSI/NFPA 70 National Electrical Code in the United States.

If an optional blower is to be used, the blower must be connected to the main power supply. Route a grounded 14 gauge 2-wire power cable to the junction box and ground. At the point where the cable enters the junction box, a conduit connector must be provided.

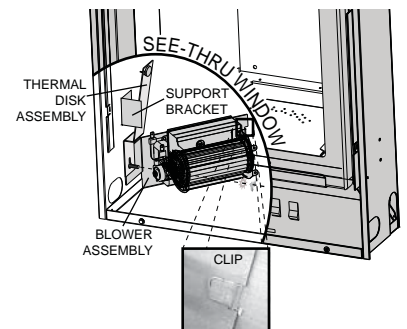
- A. Remove the two screws that secure the control panel to the front of the unit.
- B. Connect the black and red wires of the wire harness to the prongs on the blower.
- C. Connect the white and black wires of the wire harness to the prongs on the thermodisc.
- D. Place the thermal switch assembly onto the stud located at the lower left of the firebox and behind the support bracket.
- E. Connect the wiring for the variable speed switch.
- F. Insert the blower assembly into the left side under the firebox, slide into the clip and place onto the same stud used for the thermal switch assembly. Secure with the lock washer and wing nut supplied. Ensure that the blower does not touch the base of the firebox, any wiring or controls. Ensure that the thermal switch is touching the wall of the firebox.



HINT: Rest the thermal disk assembly forward against the support bracket.

- G. Place the variable speed switch into position and secure with the pal nut supplied. Reinstall the control panel and install the variable speed switch knob.

NOTE: Plug into the receptacle on the right side of the unit.



10.0 OPERATION

! WARNING

IF YOU DO NOT FOLLOW THESE INSTRUCTIONS EXACTLY, A FIRE OR EXPLOSION MAY RESULT CAUSING PROPERTY DAMAGE, PERSONAL INJURY OR LOSS OF LIFE.

ALWAYS LIGHT THE PILOT WHETHER FOR THE FIRST TIME OR IF THE GAS SUPPLY HAS RUN OUT WITH THE GLASS DOOR OPENED OR REMOVED.

Ensure that a continuous gas flow is at the burner before installing the door. When lit for the first time, the appliance will emit an odor for a few hours. This is a normal temporary condition caused by the "burn-in" of paints and lubricants used in the manufacturing process and will not occur again. After extended periods of non-operation such as following a vacation or a warm weather season, the appliance may emit a slight odor for a few hours. This is caused by dust particles in the heat exchanger burning off. In both cases, open a window to sufficiently ventilate the room.

FOR YOUR SAFETY READ BEFORE LIGHTING:

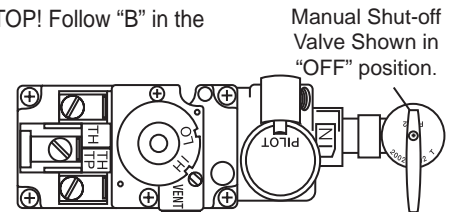
- A. This appliance is equipped with an ignition device which automatically lights the pilot. Do not try to light by hand.
- B. Before operating smell all around the appliance area for gas and next to the floor because some gas is heavier than air and will settle on the floor.
- C. Use only your hand to turn the gas control knob. Never use tools. If the knob will not turn by hand, do not try to repair it. Call a qualified service technician. Force or attempted repair may result in a fire or explosion.
- D. Do not use this appliance if any part has been under water. Immediately call a qualified service technician to inspect the appliance and replace any part of the control system and any gas control which has been under water.

WHAT TO DO IF YOU SMELL GAS:

- Turn off all gas to the appliance.
- Open windows.
- Do not try to light any appliance.
- Do not touch any electric switch; do not use any phone in your building.
- Immediately call your gas supplier from a neighbor's phone. Follow the gas supplier's instructions.
- If you cannot reach your gas supplier, call the fire department.

LIGHTING INSTRUCTIONS:

1. Stop! Read the above safety information on this label.
2. Turn remote wall switch to off position.
3. Turn off all electrical power to the appliance and remove batteries.
4. This appliance is equipped with an ignition device which automatically lights the pilot. Do not try to light the pilot by hand.
5. Turn manual shutoff valve clockwise to off.
6. Open the glass door.
7. Wait five (5) minutes to clear out any gas. If you smell gas including near the floor, STOP! Follow "B" in the above safety information on this label. If you don't smell gas go to the next step.
8. Close the glass door.
9. Turn manual shutoff valve counter-clockwise to on.
10. Turn on all electrical power to the appliance and re-install batteries.
11. Turn on remote wall switch to on position.
12. If appliance will not operate, follow instructions "TO TURN OFF GAS" and call your service technician or gas supplier.

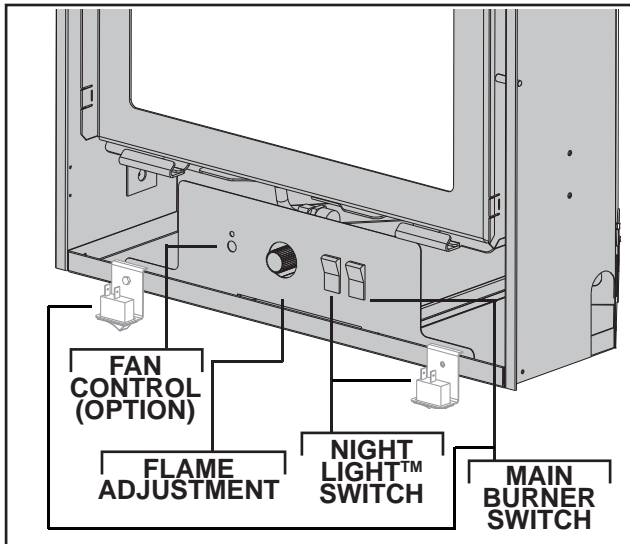


TO TURN OFF GAS

1. Turn off remote wall switch to the appliance.
2. Turn off all electrical power to the appliance if service is to be performed.
3. Turn manual shutoff valve clockwise to off. Do not force.

47.6

10.1 CONTROL FUNCTIONS



MAIN BURNER SWITCH

This switch turns the Main Burner on and off.

FLAME ADJUSTMENT

Turn this knob clockwise or counter-clockwise to adjust the main burner flame height.

NIGHT LIGHT™ SWITCH

This switch turns the Night Light™ on and off.

FAN CONTROL OPTION

If installed this switch will turn on and off the power to the blower and control the fan speed. There is also a thermally activated switch that will only let the blower come on once the appliance has reached a comfortable temperature.

11.0 ADJUSTMENTS

11.1 PILOT INJECTOR AND ORIFICE REPLACEMENT

! WARNING

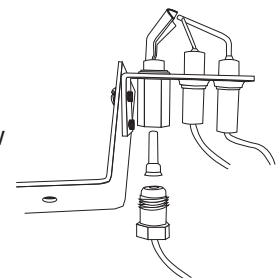
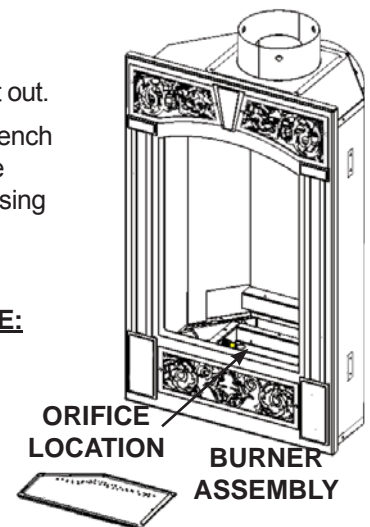
THIS INSTALLATION SHOULD BE DONE BY A QUALIFIED INSTALLER AND SHALL BE IN COMPLIANCE WITH LOCAL CODES. IN THE ABSENCE OF LOCAL CODES, USE THE CURRENT CAN1-B149 INSTALLATION CODE IN CANADA, OR THE CURRENT NATIONAL FUEL GAS CODE ANSI Z223.1 IN THE UNITED STATES.

- A. Turn off the electrical and gas supply to the appliance.
- B. Remove the cast front, safety screen, glass viewing door and log set.
- C. Remove the 2 securing screws. Slide the burner assembly to the right and lift out.
- D. Using a deep socket wrench, remove the main burner orifice. A back-up wrench must be used on the manifold, located below the housing to ensure that the aluminum tubing does not twist or kink. Replace the correct burner orifice using pipe thread compound.
- E. Loosen nut and replace with appropriate injector
- F. Reinstall the burner ensuring that the Venturi tube fits over the orifice. **NOTE: Check and adjust, if necessary, the primary air to 1/16" (1.6mm) for propane and 1/32" (1mm) for natural gas. Replace the screws.**
- G. Turn on the gas supply and check for gas leaks by brushing on a soap and water solution.

DO NOT USE OPEN FLAME.

- H. Replace the log set. Then light the pilot and main burner to ensure that the gas lines have been purged.
- I. Reinstall the safety screen, glass viewing door and cast front. Turn on the electrical supply to the appliance.

Purge all gas lines with the glass door removed. Assure that a continuous flow is at the burner before re-installing the door.

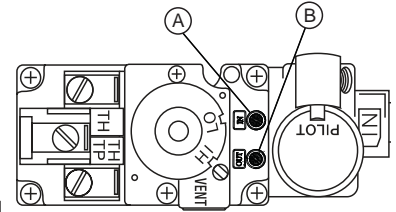


11.2 PRESSURE CHECK

Check Pressure Readings:

Inlet pressure can be checked by turning screw (A) counter-clockwise 2 or 3 turns and then placing pressure gauge tubing over the test point. Gauge should read as described on the chart below. Check with main burner operating on "HI".

Outlet pressure can be checked the same as above using screw (B). Gauge should read as described on the chart below. Check with main burner operating on "HI".



AFTER TAKING PRESSURE READINGS, BE SURE TO TURN SCREWS CLOCKWISE FIRMLY TO RESEAL. DO NOT OVERTORQUE.

Leak test with a soap and water solution.

Prior to pilot adjustment, ensure that the pilot assembly has not been painted. If overspray or painting of the pilot assembly has occurred

remove the paint from the pilot assembly, or replace. Fine emery cloth or sandpaper can be used to remove the paint from the pilot hood, electrode and flame sensor.

Pressure	Natural Gas (inches)	Natural Gas (millibars)	Propane (inches)	Propane (millibars)
Inlet	7" (MIN. 4.5")	17.4mb (MIN. 11.2mb)	13" (MIN. 11")	32.4mb (MIN. 27.4mb)
Outlet	3.5"	8.7mb	10"	24.9mb

39.5B

11.3 RESTRICTING VERTICAL VENTS

Vertical installations may display a very active flame. If this appearance is not desirable, the vent exit must be restricted using a restrictor vent kit. Refer to "ACCESSORIES" in the "REPLACEMENTS" section for the appropriate kit. This will reduce the velocity of the exhaust gases, slowing down the flame pattern and creating a more traditional gentle flame appearance. Specific instructions are included with the kit.

77.3

12.0 MAINTENANCE

EN

! WARNING
TURN OFF THE GAS AND ELECTRICAL POWER BEFORE SERVICING THE APPLIANCE.
APPLIANCE MAY BE HOT, DO NOT SERVICE UNTIL APPLIANCE HAS COOLED.
DO NOT USE ABRASIVE CLEANERS.
DO NOT PAINT THE PILOT ASSEMBLY.

CAUTION: Label all wires prior to disconnection when servicing controls. Wiring errors can cause improper and dangerous operation. Verify proper operation after servicing. This appliance and its venting system should be inspected before use and at least annually by a qualified service person. The appliance area must be kept clear and free of combustible materials, gasoline or other flammable vapors and liquids. The flow of combustion and ventilation air must not be obstructed.

- A. In order to properly clean the burner and pilot assembly, remove the logs, rocks and/or glass to expose both assemblies.
- B. Keep the control compartment, media, burner, air shutter opening and the area surrounding the logs clean by vacuuming or brushing, at least once a year.
- C. Check to see that all burner ports are burning. Clean out any of the ports which may not be burning or are not burning properly.
- D. Check to see that the pilot flame is large enough to engulf the flame sensor and/or thermocouple / thermopile as well as reaches the burner.
- E. Replace the cleaned logs, rocks or glass. Failure to properly position the media may cause carboning which can be distributed in the surrounding living area.
- F. Check to see that the main burner ignites completely on all openings when turned on. A 5 to 10 second total light-up period is satisfactory. If ignition takes longer, consult your local authorized dealer / distributor.
- G. Check that the gasketing on the sides, top and bottom of the door is not broken or missing. Replace if necessary.
- H. If for any reason the vent air intake system is disassembled, re-install and re-seal per the instructions provided for the initial installation.
- I. Cleaning the safety barrier may be necessary due to excessive lint / dust from carpeting, pets, etc. simply vacuum using the brush attachment.
- J. Ensure the pressure relief system performs effectively. Check that the gasket is not worn or damaged. Replace if necessary.

40.1D

12.1 ANNUAL MAINTENANCE

! WARNING
THE FIREBOX BECOMES VERY HOT DURING OPERATION. LET THE APPLIANCE COOL COMPLETELY OR WEAR HEAT RESISTANT GLOVES BEFORE CONDUCTING SERVICE.
NEVER VACUUM HOT EMBERS.
DO NOT PAINT THE PILOT ASSEMBLY.

- This appliance will require maintenance which should be planned on an annual basis.
- Service should include cleaning, battery replacement, venting inspection and inspection of the burner, media and firebox. Refer to the door removal section and remove the door as instructed.
- Carefully remove media if necessary (logs, glass, brick panels etc).
- Using a vacuum with a soft brush attachment, gently remove any dirt, debris or carbon build up from the logs, firebox and burner. For glass media, follow the installation instructions for pre-cleaning.
- Also gently remove any build-up on the pilot assembly including, if equipped; thermopile, thermocouple, flame sensor and igniter. **NOTE: The flame sensor may require to be cleaned using a fine steel wool or Scotch-Brite™ scrubbing pad to remove any oxides. Clean the pilot assembly using a vacuum with a soft brush attachment. It is important that the pilot assembly is not painted.**

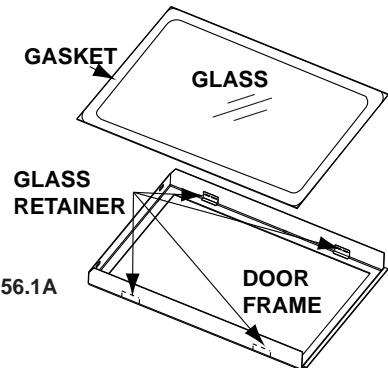
- Inspect all accessible gaskets and replace as required.
- Access the blower, if equipped and clean using a soft brush and vacuum.
- Re-assemble the various components in reverse order.
- Inspect the relief system. The appliance relieves through the main glass door or through the flaps on the firebox top. Ensure they open freely, and close sealed.
- Check the gas control valve pilot and Hi / Lo knobs move freely (if equipped) – replace if any stiffness in movement is experienced.
- Check for gas leaks on all gas connections up and downstream from the gas valve including the pilot tube connections.

37.1C

12.2 DOOR GLASS REPLACEMENT

! WARNING
DO NOT USE SUBSTITUTE MATERIALS.
GLASS MAY BE HOT, DO NOT TOUCH GLASS UNTIL COOLED.
CARE MUST BE TAKEN WHEN REMOVING AND DISPOSING OF ANY BROKEN DOOR GLASS OR DAMAGED COMPONENTS. BE SURE TO VACUUM UP ANY BROKEN GLASS FROM INSIDE THE APPLIANCE BEFORE OPERATION.
DO NOT STRIKE, SLAM OR SCRATCH GLASS. DO NOT OPERATE APPLIANCE WITH GLASS REMOVED, CRACKED, BROKEN OR SCRATCHED.

- Place the door frame face down careful not to scratch the paint.
- Center the gasketed glass inside the door frame with the thick side of the gasket facing up.
- Bend the glass retainers located along the edge of the door frame over the gasket holding the glass in place. Careful not to break the glass.



56.1A

12.3 CARE OF GLASS

DO NOT CLEAN GLASS WHEN HOT! DO NOT USE ABRASIVE CLEANERS TO CLEAN GLASS.

Buff lightly with a clean dry soft cloth. Clean both sides of the glass after the first 10 hours of operation with a recommended fireplace glass cleaner. Thereafter clean as required. If the glass is not kept clean permanent discoloration and / or blemishes may result.

! WARNING	
	<p>HOT GLASS WILL CAUSE BURNS.</p> <p>DO NOT TOUCH GLASS UNTIL COOLED.</p> <p>NEVER ALLOW CHILDREN TO TOUCH GLASS.</p>

5.1

This appliance is factory equipped with 5mm ceramic glass. Use only replacement glass available from your Napoleon® dealer. **DO NOT SUBSTITUTE MATERIALS.**

5.5.1

12.4 NIGHT LIGHT™ REPLACEMENT

12.4.1 BULB REPLACEMENT

The GD19 comes equipped with our “Night Light™”. If in the event the lamp or lens needs to be replaced, follow these instructions.

- A. Turn off all electrical supply.
 - B. Remove the safety screen, front and door from the firebox.
 - C. Unscrew the lens cover making sure the washer stays in place.
- NOTE: Do not handle the lamp (bulb) with bare fingers, protect with a clean dry cloth.**
- D. The lamp will pull straight out of the socket. Replace with Wolf Steel Ltd. parts only (W387-0009), as lamp and lens are special "high temperature" products.
 - E. Replace lens with gasket, lens covers, attach wires to quick connects and replace the safety screen and door when finished.

NOTE: The firebox must be sealed.

When re-assembling the light assembly, care must be taken. “Light Leakage” from above the cast doors may be noticed. The holes in the lamp housing are necessary for ventilation and must not be covered.



12.4.2 LENS ASSEMBLY INSTALLATION

- A. Remove the safety screen and door from the firebox.
- B. Run the wires up through the lens hole.
- C. Align key hole with lens assembly.
- D. Snap into place.
- E. Replace light shields, attach the wires and replace the door to the firebox.



12.4.3 LENS ASSEMBLY REPLACEMENT

- A. Remove the safety screen, front door and top shield from the firebox.
- B. Compress the retainer fins in with a screw driver while pressing firmly on the top of the light assembly.
- C. Once all the retainer fins are pushed in the lens assembly will snap out of place.



13.0 REPLACEMENTS

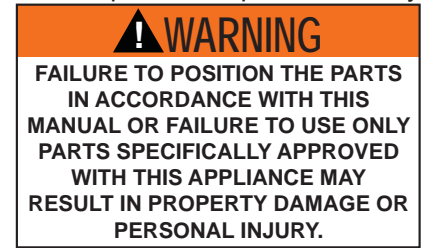
Contact your dealer or the factory for questions concerning prices and policies on replacement parts. Normally all parts can be ordered through your Authorized dealer / distributor.

FOR WARRANTY REPLACEMENT PARTS, A PHOTOCOPY OF THE ORIGINAL INVOICE WILL BE REQUIRED TO HONOUR THE CLAIM.

When ordering replacement parts always give the following information:

- Model & Serial Number of appliance
- Installation date of appliance
- Part number
- Description of part
- Finish

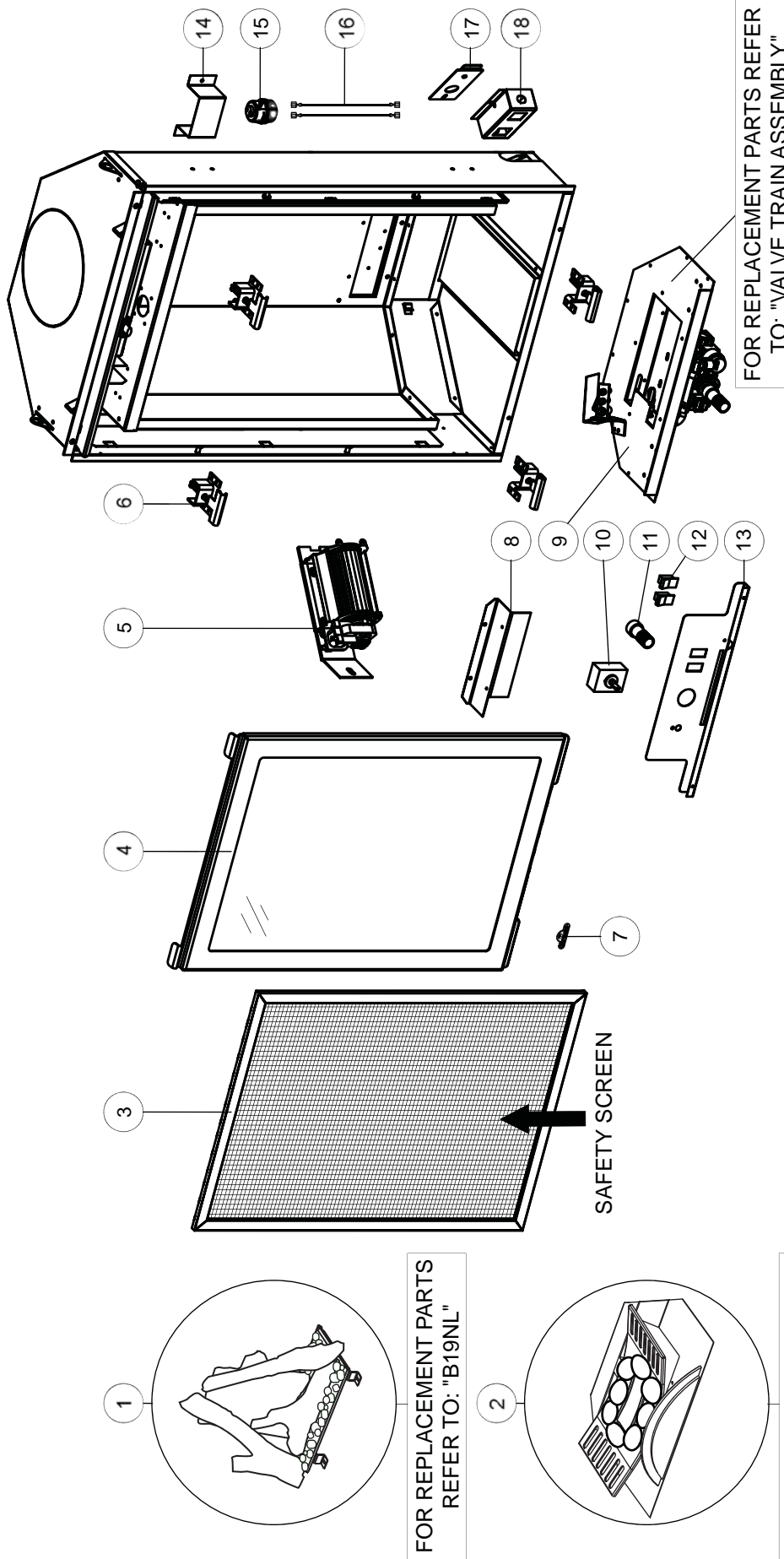
*** IDENTIFIES ITEMS WHICH ARE NOT ILLUSTRATED. FOR FURTHER INFORMATION, CONTACT YOUR AUTHORIZED DEALER.**



EN

41.1

14.0 OVERVIEW



FOR REPLACEMENT PARTS REFER TO: "B19NL"

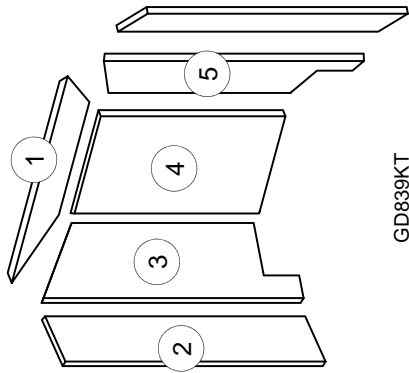
FOR REPLACEMENT PARTS REFER TO: "B19NS"

ITEMS MAY NOT APPEAR EXACTLY AS ILLUSTRATED

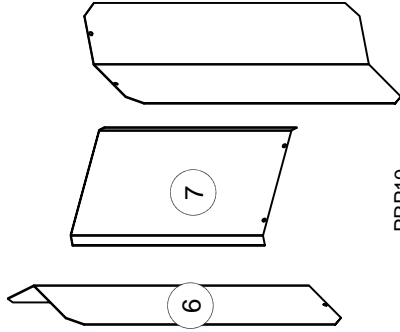
REF. NO.	PART NUMBER	DESCRIPTION
10	W660-0019	VARIABLE SPEED SWITCH
11	W380-0021	VALVE KNOB
12	W660-0009	ON / OFF SWITCH (X2)
13	W475-0528	CONTROL PANEL
14	W585-0235	LIGHT SHIELD
15	W387-0011	HIGH TEMPERATURE LIGHT BULB
16	W750-0185	NIGHT LIGHT WIRE HARNESS
17	W500-0042	JUNCTION BOX COVER PLATE
18	W350-0126	JUNCTION BOX HOUSING

REF. NO.	PART NUMBER	DESCRIPTION
1	B19NL	LOG AND BURNER ASSEMBLY
2	B19NS	ROCK AND BURNER ASSEMBLY
3	W565-0170-SER	SAFETY SCREEN
4	W010-2166	DOOR ASSEMBLY
5	G566	BLOWER ASSEMBLY
6	W010-2109	DOOR LATCHES (X4)
7	W385-0334	NAPOLEON LOGO
8	W655-0265	REAR LOG SUPPORT
9	W010-2556	VALVE TRAIN ASSEMBLY

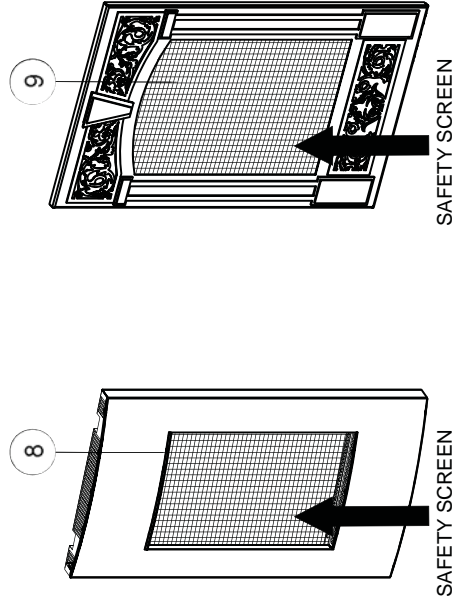
15.0 ACCESSORIES



GD839KT

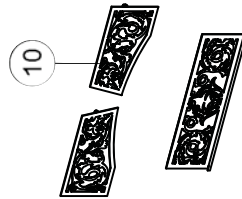


PRP19



SAFETY SCREEN

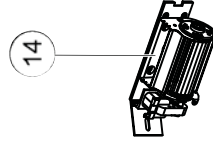
SAFETY SCREEN



11

12

13

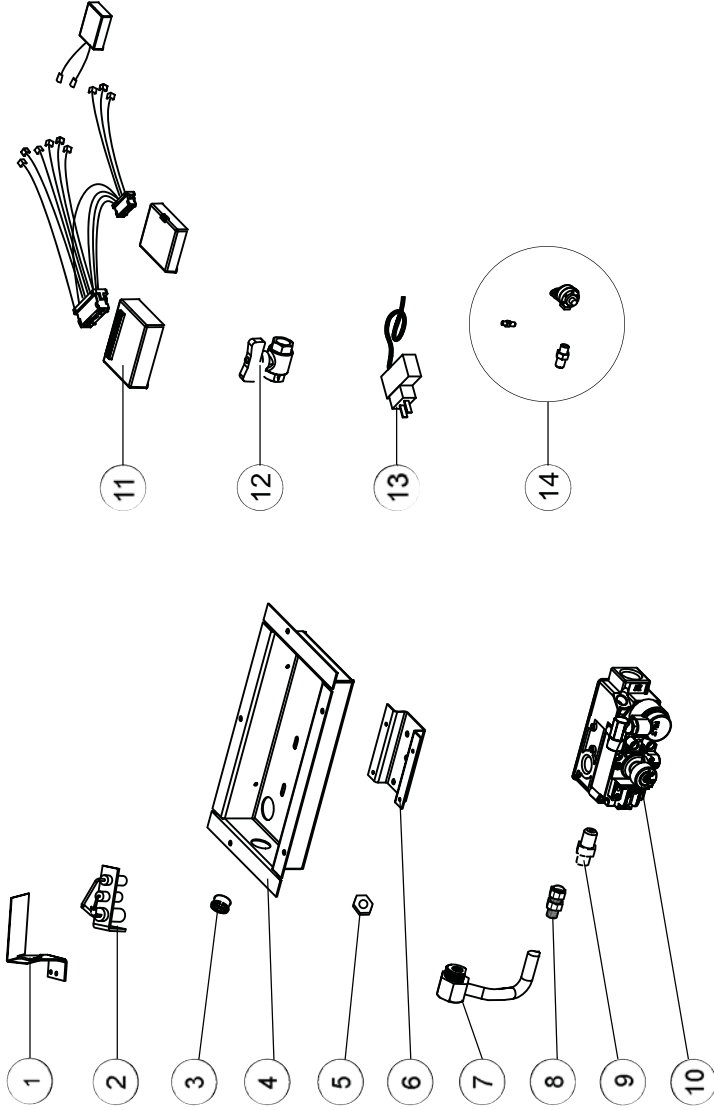


14

ITEMS MAY NOT APPEAR EXACTLY AS ILLUSTRATED

REF. NO.	PART NUMBER	DESCRIPTION	REF. NO.	PART NUMBER	DESCRIPTION
1	W475-0556	BAFFLE PANEL (GD839KT)	8	CFK19 / CFS19	CONTEMPORARY FACING KIT
2	W475-0521	FRONT SANDSTONE BRICK PANEL (X2) (GD839KT)	9	FK19 / FK19PW	VICTORIAN FACING KIT
3	W475-0520	(LS) SANDSTONE BRICK PANEL (GD839KT)	10	VOIK / VOISS	VICTORIAN ORNAMENTAL INSETS
4	W475-0518	REAR SANDSTONE BRICK PANEL (GD839KT)	11	W660-0081	WALL MOUNTED THERMOSTAT
5	W475-0519	(RS) SANDSTONE BRICK PANEL (GD839KT)	12	F45 / F60	HANDHELD REMOTE CONTROL
6	W090-0153	SIDE PORCELAIN PANEL (X2) (PRP19)	13	ACS-1	ANTI-CONDENSATION SWITCH
7	W090-0152	REAR PORCELAIN PANEL (PRP19)	14	GS66	BLOWER KIT

16.0 VALVE TRAIN ASSEMBLY

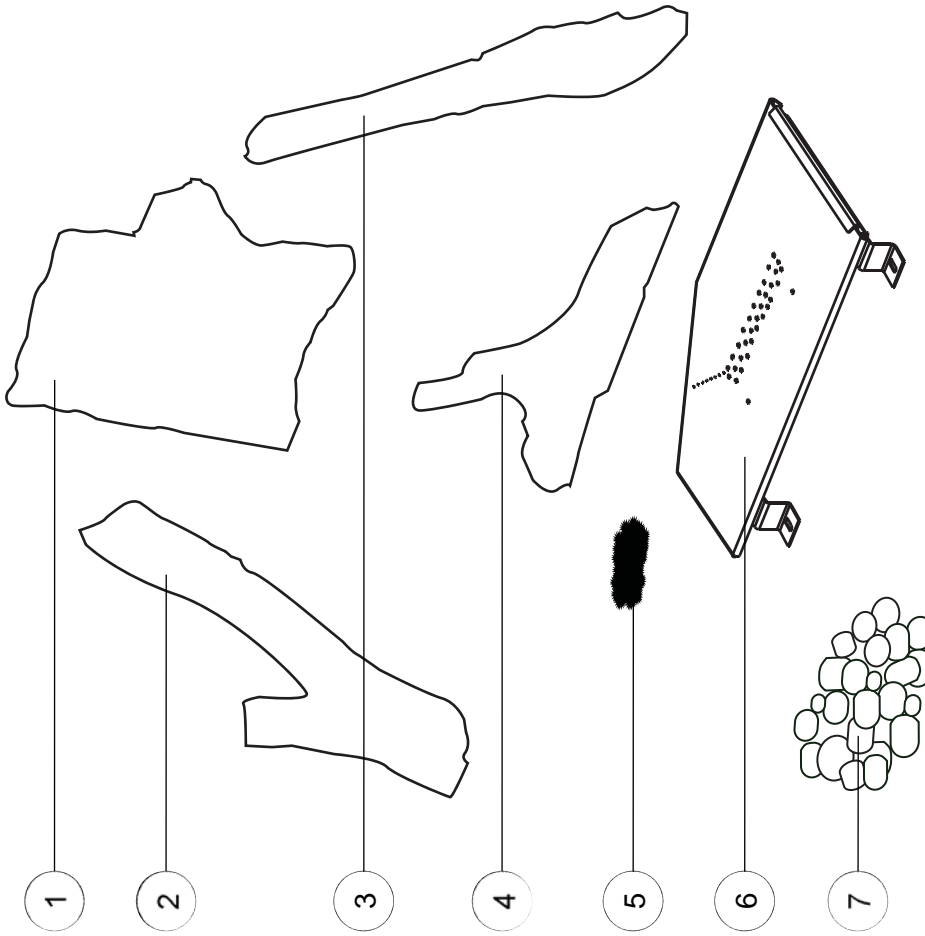


ITEMS MAY NOT APPEAR EXACTLY AS ILLUSTRATED

REF. NO.	PART NUMBER	DESCRIPTION
1	W080-1298	PILOT BRACKET
2	W100-0069	PILOT ASSEMBLY (NG)
3	W105-0001	7/8" BUSHING
4	W035-0159	BURNER BASE
5	W450-0036	PAL NUT
6	W080-0749	VALVE BRACKET
7	W432-0063	3/8" MANIFOLD

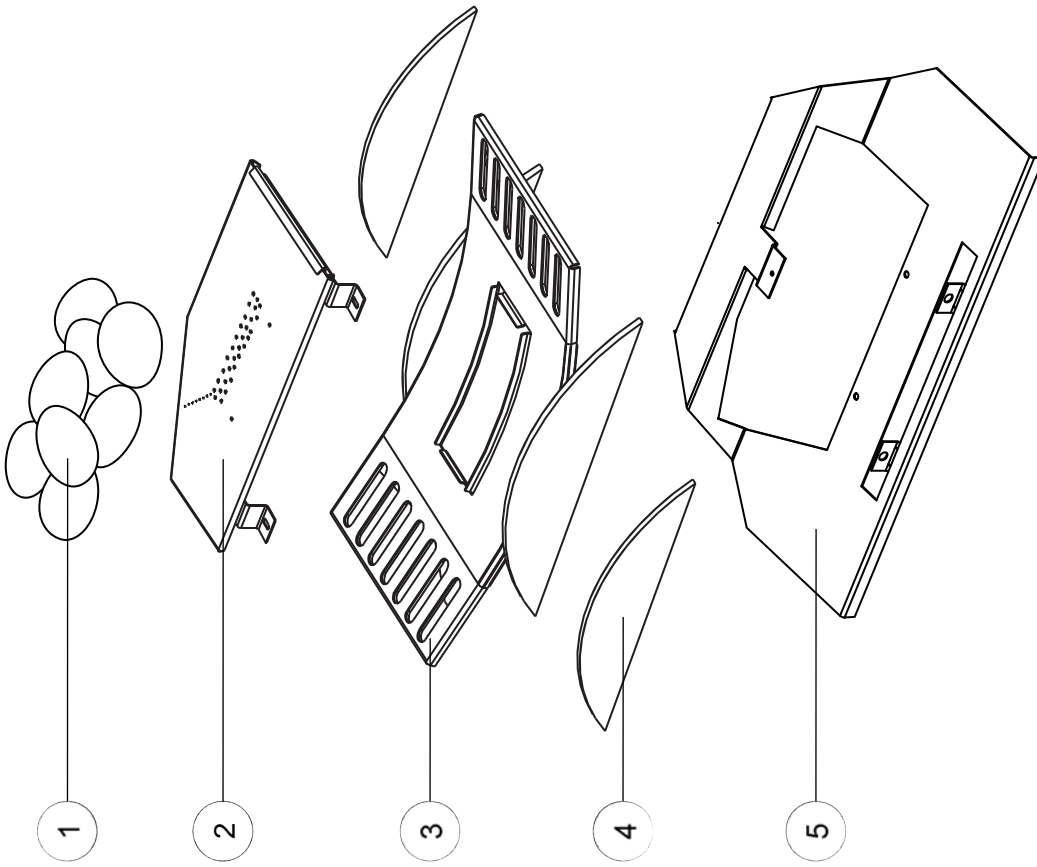
REF. NO.	PART NUMBER	DESCRIPTION
8	W175-0055	3/8" CONNECTOR
9	W456-0052	BURNER ORIFICE #52 (NG)
10	W725-0032	ELECTRONIC IGNITION VALVE (NG)
11	W010-2517	ELEC. IGNITION ASSEMBLY
12	W725-0041	GAS VALVE
13	W707-0005	TRANSFORMER
14	W175-0266	LP CONVERSION KIT

17.0 B19NL LOG BURNER



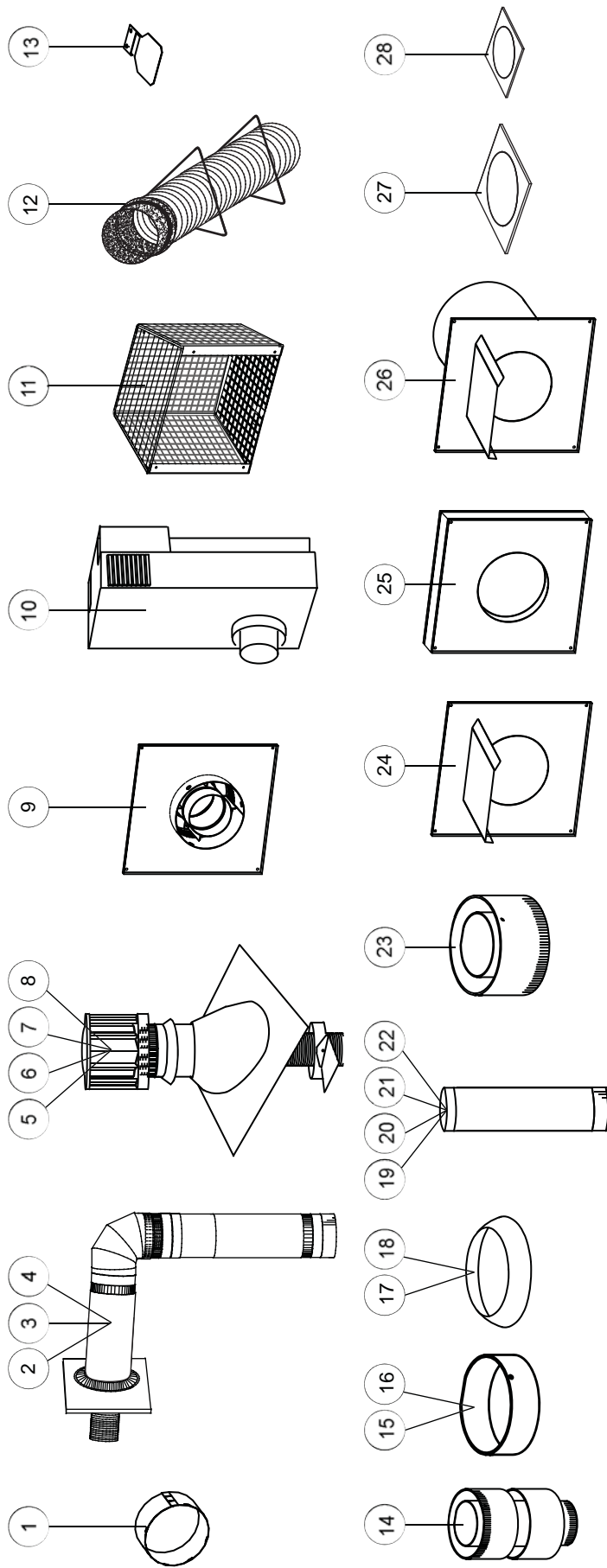
REF. NO.	PART NUMBER	DESCRIPTION
1	W135-0322	REAR LOG (GL-622)
2	W135-0323	LEFT LOG (GL-622)
3	W135-0324	RIGHT LOG (GL-622)
4	W135-0325	CENTRE LOG (GL-622)
5	GL-622	LOG SET
6	W550-0001	CHARCOAL EMBERS
7	W010-1653	PAN BURNER ASSEMBLY
8	W361-0016	GLOWING EMBERS

18.0 B19NL ROCK BURNER



REF. NO.	PART NUMBER	DESCRIPTION
1	W135-0424	SMALL GREY ROCKS (MKR)
2	W010-2493	PAN BURNER ASSEMBLY
3	W010-2499	ROCK BOWL ASSEMBLY
4	W010-2498	FRONT ROCK TRIM ASSEMBLY (X2)
5	W655-0378	ROCK BURNER SUPPORT

19.0 VENTING



ITEMS MAY NOT APPEAR EXACTLY AS ILLUSTRATED

REF. NO.	PART NUMBER	DESCRIPTION	REF. NO.	PART NUMBER	DESCRIPTION
1	W175-0001	4" COUPLER	15	W025-0001	DECORATIVE BRASS BAND
2	GD-175	WALL TERMINAL KIT	16	W025-0003	DECORATIVE BLACK BAND
3	GD-176	VENT KIT (C/W TERMINAL)	17	BRTC7	7" BRASS TRIM COLLAR
4	GD-180	VENT KIT (C/W GD201 PERISCOPE)	18	BM3730	7" BLACK TRIM COLLAR
5	GD110	ROOF TERMINAL KIT (1/12 - 7/12 PITCH)	19	BM6724	STOVE PIPE (7" x 24")
6	GD111	ROOF TERMINAL KIT (8/12 - 12/12 PITCH)	20	BM67ADJ	STOVE PIPE (7" x 28" - 54" ADJUSTABLE)
7	GD112	ROOF TERMINAL KIT (FLAT ROOF)	21	BM6745	STOVE PIPE (7" - 45° ELBOW)
8	GD113	ROOF TERMINAL KIT (C/W STORM COLLAR)	22	BM6790	STOVE PIPE (7" - 90° ELBOW)
9	GD177	VENT KIT (C/W TERMINAL)	23	GDS942N	DURAVENT ADAPTOR
10	GD-201	PERISCOPE	24	W500-0077	FIRESTOP / CEILING PLATE
11	GD-301	HEAT GUARD	25	W500-0103	TERMINAL EXTENSION PLATE
12	W010-0300	4" x 10" FLEX LINER (C/W SPACERS)	26	AVS47KT	ATTIC FIRESTOP / VENT SLEEVE ASSEMBLY
13	RP4	RESTRICTOR PLATE 4"	27	W290-0054	7" FLANGE GASKET
14	GS-150KT	B-VENT ADAPTOR KIT	28	W290-0056	4" FLANGEGASKET

20.0 TROUBLESHOOTING

EN

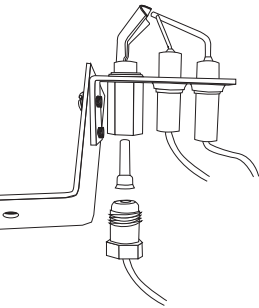
! WARNING

ALWAYS LIGHT THE PILOT WHETHER FOR THE FIRST TIME OR IF THE GAS SUPPLY HAS RAN OUT, WITH THE GLASS DOOR OPEN OR REMOVED.

TURN OFF THE GAS AND ELECTRICAL POWER BEFORE SERVICING THE APPLIANCE.

APPLIANCE MAY BE HOT, DO NOT SERVICE UNTIL APPLIANCE HAS COOLED.

DO NOT USE ABRASIVE CLEANERS.

SYMPTOM	PROBLEM	TEST SOLUTION
Pilot will not light.	Wiring.	- Verify the wire for the sensor and the wire for the ignitor are connected to the correct terminals (not reversed) on the module. NOTE: Sensor has 3/16" (4.8mm) connection and ignitor has 1/8" (3.2mm) connection.
<p>Makes noise with no spark at pilot burner.</p> 	Loose connection.	- Verify no loose connections, electrical shorts in the wiring or ground out to any metal object.
	Module.	- Turn the ON/OFF switch to the "OFF" position. Remove the igniter wire from the module. Place the ON/OFF switch to the "ON" position. Hold a grounded wire about 3/16" (4.8mm) away from the ignitor (spark) terminal on the module. If no spark the ignitor terminal module must be replaced. If there is a spark the ignitor terminal is fine. Inspect pilot assembly for a shorted wire or cracked insulator around the electrode.
	Igniter Spark gap is incorrect.	- Spark gap of the ignitor to the pilot should be 1/8" (3.2mm).
	Transformer.	- Verify the transformer is installed and plugged into the module. Check voltage of the transformer under load at the spade connections on the module with the ON/OFF switch in the "ON" position. Acceptable readings of a good transformer are between 6.2 and 7.0 volts A.C.
	Battery backup (if power is off)	- Check batteries.
	A shorted or loose Connection.	- Remove and reinstall the wiring harness that plugs into the module. Remove and verify continuity of each wire in wiring harness.
	Improper switch wiring.	- Troubleshoot the system with the simplest ON/OFF switch.
	Module is not grounded.	- Verify the valve and pilot assemblies are properly grounded to the metal chassis of the appliance or log set.
Pilot sparks but will not light.	Gas supply.	- Verify that the incoming gas line ball valve is "Open". Verify that the inlet pressure reading is within acceptable limits, inlet pressures must not exceed 14" W.C. (34.9mb).
	Out of propane gas.	- Fill the tank.

42.7A

SYMPTOM	PROBLEM	TEST SOLUTION
Carbon is being deposited on glass, logs, rocks, media or combustion chamber surfaces.	Air shutter has become blocked.	- Ensure air shutter opening is free of lint or other obstructions.
	Flame is impinging on the glass, logs, rocks, media or combustion chamber.	- Check that the glass, logs, rocks or media are correctly positioned. - Open air shutter to increase the primary air. - Check the input rate: check the manifold pressure and orifice size as specified by the rating plate values. - Check that the door gasketing is not broken or missing and that the seal is tight. - Check that both vent liners are free of holes and well sealed at all joints. - Check that minimum rise per foot has been adhered to for any horizontal venting.
Continues to spark and pilot lights, but main burner will not light.	Short or loose connection in sensor rod.	- Verify all connections. Verify the connections from the pilot assembly are tight; also verify these connections are not grounding out to any metal.
	Poor flame rectification or contaminated sensor rod.	- Verify the flame is engulfing the sensor rod. This will increase the flame rectification. Verify correct pilot orifice is installed and inlet gas specifications to manual. (Remember, the flame carries the rectification current, not the gas. If the flame lifts from pilot hood, the circuit is broken. A wrong orifice or too high of an inlet pressure can cause the pilot flame to lift.) The sensor rod may need cleaning.
	Poor grounding between pilot assembly and gas valve.	- Verify that the wire harness is firmly connected to module. Verify that the ceramic insulator around the sensor rod is not cracked, damaged, or loose. Verify the connection from the sensor rod to the sensor wire.
	Damaged pilot or dirty sensor rod.	- Clean sensor rod with a fine steel wool to remove any contamination that may have accumulated on the sensor rod. Verify continuity with multimeter with ohms set at the lowest range.
Pilot lights Stops sparking / pilot remains lit but burner will not turn on.	Wiring / Connection.	- Inspect all wires, ensure good tight connections. Verify that all wiring is installed exactly as specified.
	Wiring harness.	- Inspect the wiring harness, and verify the harness is tightly connected to the module. Verify that all wires are connected in the right order. See "WIRING DIAGRAM" section.
Exhaust fumes smelled in room, headaches.	Appliance is spilling.	- Check all seals. - Check if exhaust is re-entering through an open door or window.

42.7_2

SYMPTOM	PROBLEM	TEST SOLUTION
White / grey film forms.	Sulphur from fuel is being deposited on glass, logs or combustion chamber surfaces.	<ul style="list-style-type: none"> - Clean the glass, see "CARE OF GLASS" section - DO NOT CLEAN GLASS WHEN HOT. - If deposits are not cleaned off regularly, the glass may become permanently marked.
Flames are very aggressive.	Door is ajar.	- Tighten door clamps if applicable.
	Venting action is too great.	- Restrict vent exit with restrictor plate. See "RESTRICTING VENTS" section if applicable.
Main burner flame is a blue, lazy, transparent flame.	Blockage in vent.	<ul style="list-style-type: none"> - Remove blockage. In really cold conditions, ice buildup may occur on the terminal and should be removed. To minimize this from happening again, it is recommended that the vent lengths that pass through unheated spaces (attics, garages, crawl spaces) be wrapped with an insulated mylar sleeve. Prevent sleeve from sagging. Contact your local authorized dealer for more information.
	Compromised venting.	- Check venting system parameters (seal, length, rise, etc.).
Main burner goes out: pilot goes out.	Vent recirculation.	- Check joint seals and installation.

42.7_3B

21.0 WARRANTY

NAPOLEON® products are manufactured under the strict Standard of the world recognized ISO 9001 : 2008 Quality Assurance Certificate.

NAPOLEON® products are designed with superior components and materials assembled by trained craftsmen who take great pride in their work. The burner and valve assembly are leak and test-fired at a quality test station. The complete appliance is again thoroughly inspected by a qualified technician before packaging to ensure that you, the customer, receives the quality product that you expect from NAPOLEON®.

NAPOLEON® GAS APPLIANCE PRESIDENT'S LIFETIME LIMITED WARRANTY

The following materials and workmanship in your new NAPOLEON® gas appliance are warranted against defects for as long as you own the appliance. This covers: combustion chamber, heat exchanger, stainless steel burner, phazer™ logs and embers, rocks, ceramic glass (thermal breakage only), gold plated parts against tarnishing, porcelainized enameled components and aluminum extrusion trims.*

Electrical (110V and millivolt) components and wearable parts such as blowers, gas valves, thermal switch, switches, wiring, remote controls, ignitor, gasketing, and pilot assembly are covered and NAPOLEON® will provide replacement parts free of charge during the first year of the limited warranty.*

Labour related to warranty repair is covered free of charge during the first year. Repair work, however, requires the prior approval of an authorized company official. Labour costs to the account of NAPOLEON® are based on a predetermined rate schedule and any repair work must be done through an authorized NAPOLEON® dealer.

* Construction of models vary. Warranty applies only to components included with your specific appliance.

CONDITIONS AND LIMITATIONS

NAPOLEON® warrants its products against manufacturing defects to the original purchaser only. Registering your warranty is not necessary. Simply provide your proof of purchase along with the model and serial number to make a warranty claim. NAPOLEON® reserves the right to have its representative inspect any product or part thereof prior to honouring any warranty claim. Provided that the purchase was made through an authorized NAPOLEON® dealer your appliance is subject to the following conditions and limitations:

Warranty coverage begins on the date of original installation.

This factory warranty is non-transferable and may not be extended whatsoever by any of our representatives.

The gas appliance must be installed by a licensed, authorized service technician or contractor. Installation must be done in accordance with the installation instructions included with the product and all local and national building and fire codes.

This limited warranty does not cover damages caused by misuse, lack of maintenance, accident, alterations, abuse or neglect and parts installed from other manufacturers will nullify this warranty.

This limited warranty further does not cover any scratches, dents, corrosion or discoloring caused by excessive heat, abrasive and chemical cleaners nor chipping on porcelain enamel parts, mechanical breakage of PHAZER™ logs and embers.

This warranty extends to the repair or replacement of warranted parts which are defective in material or workmanship provided that the product has been operated in accordance with the operation instructions and under normal conditions.

After the first year, with respect to this President's Lifetime Limited Warranty, NAPOLEON® may, at its discretion, fully discharge all obligations with respect to this warranty by refunding to the original warranted purchaser the wholesale price of any warranted but defective part(s).

NAPOLEON® will not be responsible for installation, labour or any other expenses related to the reinstallation of a warranted part and such expenses are not covered by this warranty.

Notwithstanding any provisions contained in the President's Lifetime Limited Warranty, NAPOLEON'S responsibility under this warranty is defined as above and it shall not in any event extend to any incidental, consequential or indirect damages.

This warranty defines the obligations and liability of NAPOLEON® with respect to the NAPOLEON® gas appliance and any other warranties expressed or implied with respect to this product, its components or accessories are excluded.

NAPOLEON® neither assumes, nor authorizes any third party to assume, on its behalf, any other liabilities with respect to the sale of this product.

NAPOLEON® will not be responsible for: over-firing, downdrafts, spillage caused by environmental conditions such as rooftops, buildings, nearby trees, hills, mountains, inadequate vents or ventilation, excessive venting configurations, insufficient makeup air, or negative air pressures which may or may not be caused by mechanical systems such as exhaust fans, furnaces, clothes dryers, etc.

Any damages to the appliance, combustion chamber, heat exchanger, plated trim or other components due to water, weather damage, long periods of dampness, condensation, damaging chemicals or cleaners will not be the responsibility of NAPOLEON®.

All parts replaced under the President's Limited Lifetime Warranty Policy are subject to a single claim.

During the first 10 years NAPOLEON® will replace or repair the defective parts covered by the lifetime warranty at our discretion free of charge. From 10 years to life, NAPOLEON® will provide replacement parts at 50% of the current retail price.

All parts replaced under the warranty will be covered for a period of 90 days from the date of their installation.

The manufacturer may require that defective parts or products be returned or that digital pictures be provided to support the claim. Returned products are to be shipped prepaid to the manufacturer for investigation. If a product is found to be defective, the manufacturer will repair or replace such defect.

Before shipping your appliance or defective components, your dealer must obtain an authorization number. Any merchandise shipped without authorization will be refused and returned to sender.

Shipping costs are not covered under this warranty.

Additional service fees may apply if you are seeking warranty service from a dealer.

Warranty labour allowance is only for the replacement of the warranted part. Travel, diagnostic tests, shipping and other related charges are not covered by this warranty.

ALL SPECIFICATIONS AND DESIGNS ARE SUBJECT TO CHANGE WITHOUT PRIOR NOTICE DUE TO ON-GOING PRODUCT IMPROVEMENTS. NAPOLEON® IS A REGISTERED TRADEMARK OF WOLF STEEL LTD.

AS REQUIRED BY THE DEPARTMENT OF ENERGY IN THE UNITED STATES, 10 CFR PART 430, THE WARRANTY IS VOID IF THIS PRODUCT IS USED WITH A THERMOSTAT. THIS APPLIES TO PRODUCT INSTALLED IN THE UNITED STATES, ONLY.

Other Napoleon Products



Fireplace Inserts • Charcoal Grills • Gas Fireplaces • Waterfalls • Wood Stoves
Heating & Cooling • Electric Fireplaces • Outdoor Fireplaces • Gourmet Grills



24 Napoleon Road, Barrie, Ontario, Canada L4M 0G8
214 Bayview Drive, Barrie, Ontario, Canada L4N 4Y8
103 Miller Drive, Crittenden, Kentucky, USA 41030
7200 Trans Canada Highway, Montreal, Quebec, Canada H4T 1A3

Fireplaces / Heating & Cooling call: 705-721-1212 • Grills call: 705-726-4278
napoleonproducts.com

INSTALLATEUR : LAISSEZ CE MANUEL AVEC L'APPAREIL.
PROPRIÉTAIRE : CONSERVEZ CE MANUEL POUR CONSULTATION ULTÉRIEURE.
NE LAISSEZ PAS LES ENFANTS OU AUTRES INDIVIDUS À RISQUE SEULS À PROXIMITÉ DE L'APPAREIL.



INSTRUCTIONS D'INSTALLATION ET D'OPÉRATION

FR

CONFORME AUX LES NORMES NATIONALES AMÉRICAINES: ANSI Z21.50, CERTIFIÉ CANADIENNES: CSA 2.22 FOYER À GAZ VENTILÉ.

CERTIFIÉ POUR LE CANADA ET LES ÉTATS-UNIS SELON LES MÉTHODES ANSI/CSA.

CONSIGNES DE SÉCURITÉ

AVERTISSEMENT

Si ces instructions ne sont pas suivies à la lettre, un incendie ou une explosion pourraient s'ensuivre, causant des dommages matériels, des blessures corporelles ou des pertes de vie.

- N'entreposez pas et n'utilisez pas d'essence ou autres liquides et vapeurs inflammables à proximité de cet appareil ou tout autre appareil.
- QUE FAIRE SI VOUS DÉTECTEZ UNE ODEUR DE GAZ :
 - N'allumez aucun appareil.
 - Ne touchez à aucun interrupteur électrique; n'utilisez aucun téléphone dans votre immeuble.
 - Appelez immédiatement votre fournisseur de gaz d'un téléphone voisin. Suivez ses instructions.
 - Si vous ne pouvez pas rejoindre votre fournisseur de gaz, appelez le service des incendies.
- L'installation et l'entretien doivent être faits par un installateur qualifié, une agence d'entretien ou le fournisseur.

Cet appareil peut être installé dans une maison préfabriquée (mobile) déjà installée à demeure si les règlements locaux le permettent.

Cet appareil doit être utilisé uniquement avec le type de gaz indiqué sur la plaque signalétique. Cet appareil ne peut être converti à d'autres gaz, sauf si une trousse de conversion est utilisée.

Produit décoratif : Ne pas utiliser comme appareil de chauffage.



ÉCRAN DE PROTECTION

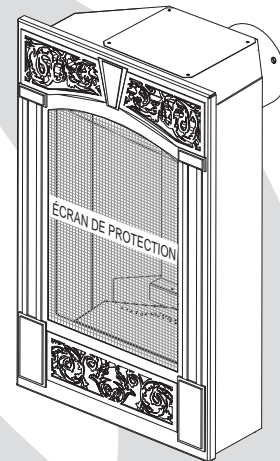


GD19-1N

GAZ NATUREL

GD19-1P

PROPANE



AVERTISSEMENT

LA VITRE CHAUDE CAUSERA DES BRÛLURES.

NE PAS TOUCHER LA VITRE AVANT QU'ELLE AIT REFROIDI.

NE JAMAIS LAISSER LES ENFANTS TOUCHER LA VITRE.

Une barrière conçue à réduire le risque de brûlures à partir de la chaude la vitre est à condition que avec l'appareil et sera être installés.

Wolf Steel Ltd., 24 Napoleon Rd., Barrie, ON, L4M 0G8 Canada /
103 Miller Drive, Crittenden, Kentucky, USA, 41030

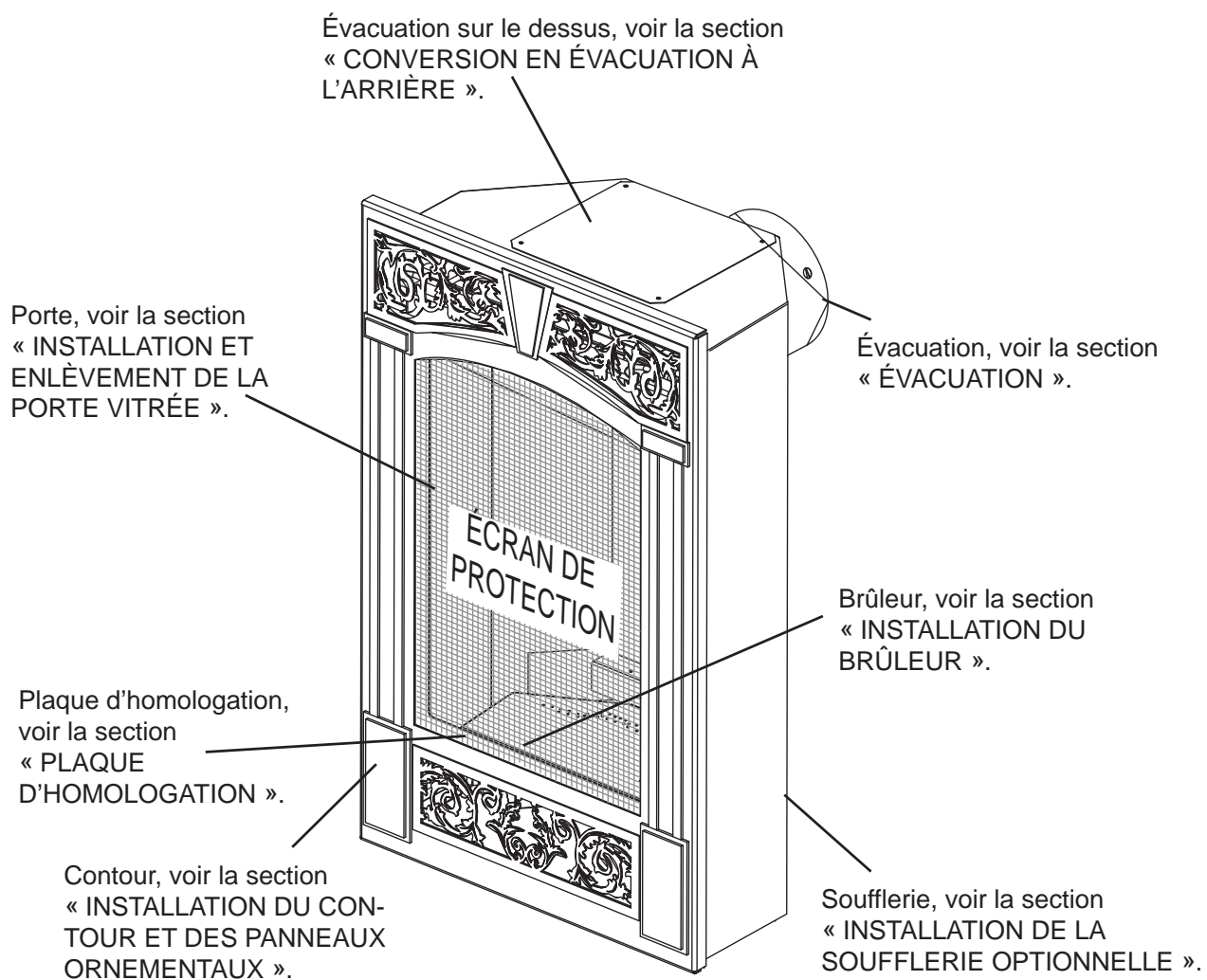
Téléphone 705-721-1212 • Télécopieur 705-722-6031 • www.napoleonfoyers.com • ask@napoleon.on.ca

TABLE DES MATIÈRES

1.0	VUE D'ENSEMBLE DE L'INSTALLATION	63
2.0	INTRODUCTION	64
2.1	DIMENSIONS	65
2.2	INSTRUCTIONS GÉNÉRALES	66
2.3	INFORMATION GÉNÉRALE	67
2.4	INFORMATION SUR LA PLAQUE D'HOMOLOGATION	67
3.0	ÉVACUATION	68
3.1	LONGUEURS DES CONDUITS D'ÉVACUATION ET COMPOSANTS	68
3.2	INSTALLATIONS TYPIQUES D'ÉVÉNEMENTS	69
3.3	INSTALLATIONS PARTICULIÈRES D'ÉVÉNEMENTS	71
3.3.1	ENSEMBLE PÉRISCOPIQUE	71
3.3.2	INSTALLATION EN COIN	71
3.4	EMPLACEMENTS ET DÉGAGEMENTS MINIMAUX DE LA TERMINAISON	72
3.5	CHARTRE D'APPLICATION DES ÉVACUATIONS	73
3.6	LÉGENDE	73
3.7	VALEURS DU COUDE EN LONGUEURS D'ÉVÉNEMENT	74
3.8	ÉVACUATION SUR LE DESSUS - TERMINAISON HORIZONTALE	74
3.9	ÉVACUATION À L'ARRIÈRE - TERMINAISON HORIZONTALE	76
3.10	ÉVACUATION SUR LE DESSUS OU À L'ARRIÈRE - TERMINAISON VERTICALE	78
3.11	CONVERSION EN ÉVACUATION À L'ARRIÈRE	81
4.0	INSTALLATION	82
4.1	PROTECTION DU MUR ET DU PLAFOND	82
4.1.1	INSTALLATION HORIZONTALE	83
4.1.2	INSTALLATION VERTICALE	84
4.2	UTILISATION DE COMPOSANTS FLEXIBLES D'ÉVACUATION	84
4.2.1	INSTALLATION DE LA TERMINAISON HORIZONTALE	85
4.2.2	INSTALLATION DE LA TERMINAISON VERTICALE	86
4.2.3	RACCORDEMENT DES ÉVÉNEMENTS À L'APPAREIL	87
4.3	UTILISATION DE COMPOSANTS RIGIDES D'ÉVACUATION	87
4.3.1	INSTALLATION DE LA TERMINAISON HORIZONTALE	88
4.3.2	INSTALLATION DE LA TERMINAISON HORIZONTALE PROLONGÉE AJUSTABLE	88
4.3.3	INSTALLATION DE LA TERMINAISON VERTICALE	89
4.4	TERMINAISON VERTICALE À TRAVERS UNE CHEMINÉE EXISTANTE	90
4.5	INSTALLATION DANS UNE MAISON MOBILE	91
4.6	BRANCHEMENT DU GAZ	92
4.7	INTERRUPTEUR MURAL OPTIONNEL	92
5.0	OSSATURE	93
5.1	DÉGAGEMENTS MINIMAUX AUX MATÉRIAUX COMBUSTIBLES	94
5.1.1	ÉVACUATION À L'ARRIÈRE	96
5.1.2	ÉVACUATION SUR LE DESSUS	96
5.2	DÉGAGEMENTS MINIMAUX AUX ENCEINTES COMBUSTIBLES	97
5.3	DÉGAGEMENTS MINIMAUX DE LA TABLETTE	98
6.0	BRANCHEMENT ÉLECTRIQUE	99
7.0	SCHÉMA DE CÂBLAGE	100
8.0	FINITIONS	101
8.1	PORTE VITRÉE	101
8.2	MISE EN PLACE DU LOGO	101
8.3	INSTALLATION DU BRÛLEUR	101
8.4	INSTALLATION ET ENLÈVEMENT DE LA FAÇADE	102
8.4.1	FAÇADE	102
8.4.2	FAÇADE CONTEMPORAINE	102
9.0	INSTALLATION DE LA SOUFFLERIE OPTIONNELLE	103
10.0	FONCTIONNEMENT	104
10.1	FONCTIONS DES COMMANDES	105
11.0	RÉGLAGES	105
11.1	REMPLACEMENT DE L'INJECTEUR DE VEILLEUSE ET DE L'INJECTEUR DE BRÛLEUR	105
11.2	VÉRIFICATION DE LA PRESSION	106
11.3	ÉTRANGLEMENT DES ÉVÉNEMENTS VERTICAUX	106
12.0	ENTRETIEN	107
12.1	ENTRETIEN ANNUEL	107
12.2	REMPLACEMENT DE LA VITRE DE PORTE	108
12.3	SOINS DE LA VITRE	108
12.4	REMPLACEMENT DE LA LUMIÈRE DE VEILLE	109
12.4.1	REMPLACEMENT DE L'AMPOULE	109
12.4.2	INSTALLATION DE L'ASSEMBLAGE DE LENTILLE	109
12.4.3	REMPLACEMENT DE L'ASSEMBLAGE DE LENTILLE	109
13.0	RECHANGES	110
14.0	VUE D'ENSEMBLE	111
15.0	ACCESSOIRES	112
16.0	L'ASSEMBLAGE DE LA SOUPAPE	113
17.0	VENTILATION	114
18.0	GUIDE DE DÉPANNAGE	115
19.0	GARANTIE	117
20.0	HISTORIQUE D'ENTRETIEN	118
21.0	NOTES	119

NOTE : Les modifications, autres qu'éditoriales, sont indiquées par une ligne verticale dans la marge.

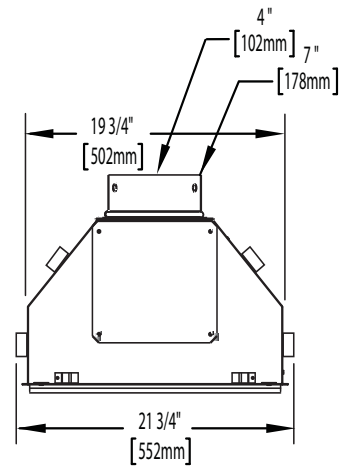
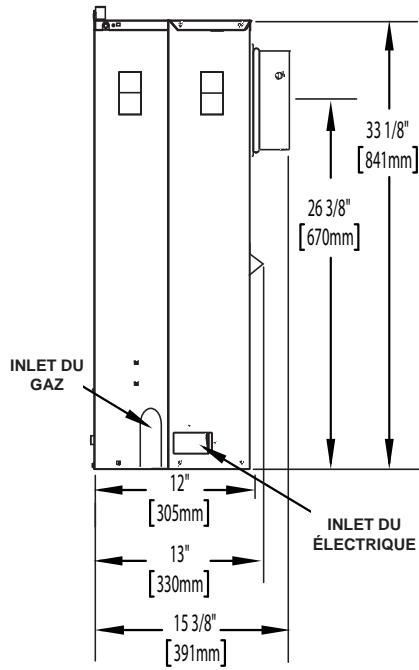
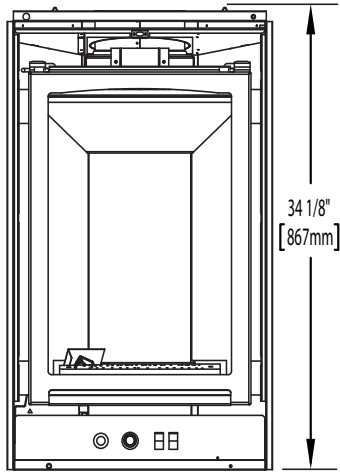
1.0 VUE D'ENSEMBLE DE L'INSTALLATION



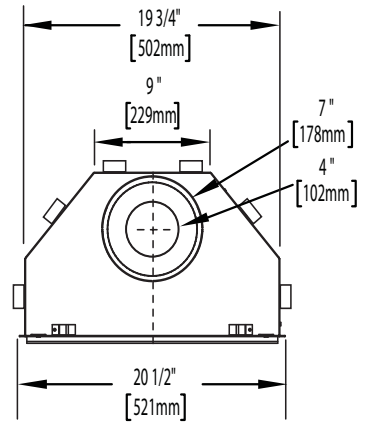
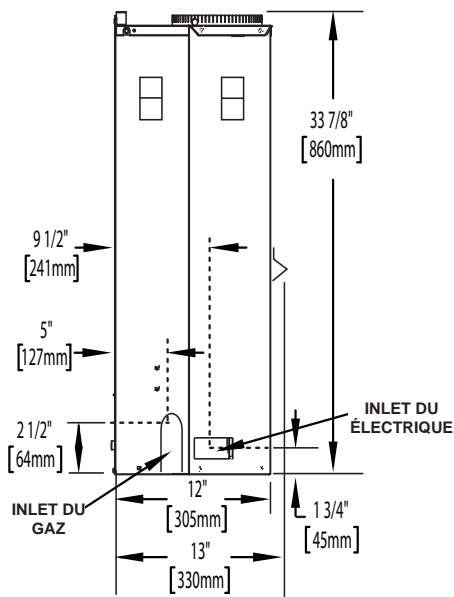
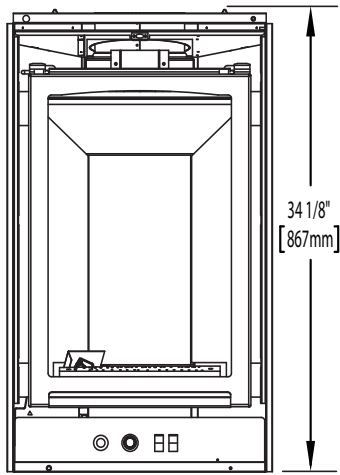
! AVERTISSEMENT

- **CET APPAREIL EST CHAUD LORSQU'IL FONCTIONNE ET PEUT CAUSER DE GRAVES BRÛLURES EN CAS DE CONTACT.**
- **TOUTE MODIFICATION APPORTÉE À CET APPAREIL OU AUX CONTRÔLES PEUT ÊTRE DANGEREUX ET EST INTERDIT.**
- Ne faites pas fonctionner l'appareil avant d'avoir lu et compris les instructions d'opération. Omettre d'utiliser l'appareil selon les instructions d'opération pourrait causer un incendie ou des blessures.
- Risque d'incendie ou d'asphyxie. Ne faites pas fonctionner l'appareil avec la vitre retirée.
- Ne branchez pas la soupape à du courant 110 volts.
- Risque de brûlures. L'appareil doit être éteint et refroidi avant d'effectuer un entretien.
- N'installez pas de composants endommagés ou incomplets ni des composants substitués.
- Risque de coupures et d'éraflures. Portez des gants protecteurs et des lunettes de sécurité lors de l'installation. Les bordures des pièces de métal peuvent être coupantes.
- Ne brûlez pas de bois ou autres matériaux dans cet appareil.
- **Les enfants et les adultes devraient être informés des dangers que posent les températures de surface élevées et se tenir à distance afin d'éviter des brûlures ou que leurs vêtements ne s'enflamment.**
- **Les jeunes enfants doivent être surveillés attentivement lorsqu'ils sont dans la même pièce que l'appareil. Les jeunes enfants et autres personnes à risque sont sujets aux brûlures accidentelles. Une barrière de protection est recommandée si des individus à risque se trouvent dans la maison. Afin de restreindre l'accès à l'appareil, installez une barrière de protection ajustable pour garder les jeunes enfants ou autres personnes à risque hors de la pièce et loin des surfaces chaudes.**
- **Les vêtements et autres matériaux combustibles ne doivent pas être posés sur l'appareil ou à proximité.**
- **En raison des températures élevées, l'appareil devrait être placé loin des endroits passants et loin des meubles et des rideaux.**
- Assurez-vous de disposer de mesures de sécurité adéquates pour empêcher les jeunes enfants de toucher aux surfaces chaudes.
- Même une fois que l'appareil est éteint, la vitre et/ou le pare-étincelles demeureront chauds pendant un temps prolongé.
- Consultez votre détaillant local de foyer pour connaître les grillages de sécurité et les écrans offerts pour protéger les enfants des surfaces chaudes. Ces grillages de sécurité et ces écrans doivent être fixés au plancher.
- **Tout grillages de sécurité, écrans ou barrière enlevés pour faire l'entretien devront être remis en place avant d'utiliser l'appareil.**
- Cet appareil est un appareil à gaz ventilé. Ne brûlez pas de bois ou autres matériaux dans cet appareil.
- Il est primordial de garder propres les compartiments de contrôle, les brûleurs, la soufflerie, les bouches d'air de l'appareil ainsi que le système d'évacuation. L'appareil et son système d'évacuation doivent être inspectés avant la première utilisation et au moins une fois l'an par un spécialiste en entretien. Un entretien plus fréquent pourrait être nécessaire en raison des peluches provenant des tapis, literie, etc. L'emplacement de l'appareil doit être gardé libre de tous matériaux combustibles, essence ou autres liquides et vapeurs inflammables.
- Cet appareil ne devra être modifié en aucun cas.
- Cet appareil ne doit pas être raccordé au conduit d'une cheminée desservant un autre appareil de chauffage à combustible solide.
- N'utilisez pas cet appareil si une partie quelconque a été submergée. Contactez immédiatement un technicien de service qualifié pour inspecter l'appareil et pour remplacer toute pièce du système de contrôle et du contrôle du gaz qui aurait été submergée.
- Ne pas opérer l'appareil lorsque la porte vitrée est enlevée, fissurée ou brisée. Le remplacement de la vitre devra être effectué par un technicien de service certifié ou qualifié.
- Ne frappez pas et ne claquez pas la porte vitrée de l'appareil.
- Les portes d'évacuation de pression doivent demeurer fermées pendant le fonctionnement de l'appareil afin d'empêcher les gaz de combustion contenant du monoxyde de carbone de s'infiltrer dans la maison. La température des gaz de combustion s'échappant par ces ouvertures peut aussi causer les matériaux combustibles avoisinants à surchauffer et à prendre feu.
- **Seules les portes/façades certifiées pour cet appareil peuvent être utilisées avec cet appareil.**
- Gardez les matériaux d'emballage hors de la portée des enfants et mettez ces matériaux au rebut de façon sécuritaire. Comme tous les emballages de plastique, ces matériaux ne sont pas des jouets et doivent demeurer hors de la portée des enfants et des bébés.
- Comme dans le cas de tout appareil à combustion, il est recommandé de faire inspecter et entretenir votre appareil régulièrement. De même, installez un détecteur de monoxyde de carbone dans la pièce pour vous protéger, ainsi que votre famille, contre les intoxications.
- Assurez-vous de respecter les dégagements aux matériaux combustibles lorsque vous installez un manteau ou des tablettes au-dessus de l'appareil. Les températures élevées sur le mur ou de l'air au-dessus de l'appareil peuvent faire fondre, décolorer ou endommager les décorations, les téléviseurs ou autres composants électroniques.
- **Une barrière conçu à réduire le risque de brûlures causées par le verre chaud est fourni avec l'appareil et sera installé.**
- **Si la barrière est endommagée, elle devra être remplacée par la barrière conçu par le fabricant pour cet appareil.**
- **L'installation et la réparation devraient être effectuées par un technicien qualifié. L'appareil et son système d'évacuation devraient être inspectés avant l'utilisation initiale et au moins une fois l'an par un professionnel qualifié. Un nettoyage plus réquent peut être requis en raison de la poussière excessive laissée par les moquettes, les couvertures, etc. Il est impératif que les compartiments de contrôle, le brûleur et les passages de circulation d'air soient gardés propres afin de fournir une combustion et une circulation d'air adéquates.**

2.1 DIMENSIONS



FR



! AVERTISSEMENT
ALLUMEZ TOUJOURS LA VEILLEUSE, QUE CE SOIT POUR LA PREMIÈRE FOIS OU LORSQUE L'APPROVISIONNEMENT EN GAZ EST ÉPUISÉ, AVEC LA PORTE VITRÉE OUVERTE OU RETIRÉE.
PRÉVOYEZ UN ACCÈS SUFFISANT POUR ENTREtenir ET OPÉRER L'APPAREIL. ASSUREZ-VOUS D'UNE QUANTITÉ SUFFISANTE D'AIR DE VENTILATION.
N'OBSTRUEZ JAMAIS L'OUVERTURE DE L'APPAREIL.
LES OBJETS PLACÉS DEVANT L'APPAREIL DOIVENT ÊTRE GARDÉS À UNE DISTANCE D'AU MOINS 48" (1219.2mm) DE LA FACE VITRÉE DE L'APPAREIL.
LES SURFACES AUTOUR ET SURTOUT AU-DESSUS DE L'APPAREIL PEUVENT DEVENIR CHAUDES. NE TOUCHEZ PAS L'APPAREIL QUAND IL FONCTIONNE.
RISQUE D'INCENDIE OU D'EXPLOSION.
LES PRESSIONS ÉLEVÉES ENDOMMAGERONT LA SOUPAPE. L'ALIMENTATION EN GAZ DOIT ÊTRE DÉBRANCHÉE PENDANT LES ESSAIS DE PRESSION DE CE SYSTÈME LORSQUE LES PRESSIONS D'ESSAI EXCÈDENT ½ LB/PO² (3,5 KPA). FERMEZ LA SOUPAPE D'ARRÊT MANUELLE PENDANT TOUT ESSAI DE PRESSION DU SYSTÈME D'ALIMENTATION EN GAZ LORSQUE LA PRESSION EST DE ½ LB/PO² (3,5 mb) OU MOINS.
N'UTILISEZ QUE LES ACCESSOIRES OPTIONNELS ET LES PIÈCES DE RECHANGE APPROUVÉS PAR WOLF STEEL POUR CET APPAREIL. L'UTILISATION D'ACCESSOIRES NON LISTÉS (SOUFFLERIE, PORTES, PERSIENNES, MOULURES, COMPOSANTS DE GAZ, COMPOSANTS D'ÉVACUATION, ETC.) POURRAIT ÊTRE NON SÉCURITAIRE ET ANNULERA LA GARANTIE ET LA CERTIFICATION.

CET APPAREIL AU GAZ DEVRAIT ÊTRE INSTALLÉ ET ENTRETENU PAR UN INSTALLATEUR QUALIFIÉ en se conformant aux codes locaux. Les pratiques d'installation peuvent varier d'une région à l'autre. Il est donc important de connaître les normes spécifiques qui s'appliquent à votre région. Par exemple dans l'état du Massachusetts:

- Ce produit doit être installé par un plombier certifié ou un installateur pour le gaz lorsque installé dans le Commonwealth du Massachusetts.
- Le registre de l'appareil doit être enlevé ou bloqué en le soudant en position ouverte avant d'installer un encastré ou un ensemble de bûches à gaz.
- La soupape d'arrêt doit être un robinet à gaz avec une poignée en T.
- Le raccord flexible ne doit pas mesurer plus que 36 pouces (914.4mm).
- Un détecteur de monoxyde de carbone est requis dans toutes les pièces contenant des appareils alimentés au gaz.
- L'appareil n'est pas approuvé pour installation dans une chambre à coucher ou une salle de bain à moins d'être un appareil avec une chambre de combustion scellée à évacuation directe.

L'installation doit se conformer aux codes locaux. En l'absence de codes locaux, l'installation doit être conforme au Code d'installation du gaz naturel et du propane CSA B149.1 au Canada ou au National Fuel Gas Code, ANSI Z223.1/ NFPA 54 aux États-Unis. Cet appareil convient pour installation dans une maison mobile si l'installation est conforme aux normes actuelles pour les maisons mobiles équipées au gaz CAN/CSA Z240 SÉRIE MM au Canada ou selon les normes ANSI Z223.1 et NFPA 54 aux États-Unis.

Tant que les distances requises pour les dégagements aux matériaux combustibles sont respectées, le meilleur endroit pour un appareil est le centre de la maison, car ceci permet une meilleure utilisation de la chaleur fournie. L'emplacement des fenêtres, des portes et la circulation dans la pièce où se trouve l'appareil devront être pris en considération. Si possible, vous devriez choisir un emplacement où le système d'évent peut passer à travers la maison sans avoir à découper des solives de plancher ou de toit.

Si l'appareil est installé directement sur un tapis, sur une surface de vinyle ou tout autre revêtement de plancher combustible autre que le bois, l'appareil devra être monté sur un panneau continu de métal ou de bois se prolongeant sur toute la largeur et la profondeur.

Certains appareils ont une soufflerie ou un ensemble de deux souffleries optionnel. Si la soufflerie ou l'ensemble de deux souffleries optionnel est installé, la boîte de dérivation doit être branchée au circuit électrique et mise à la terre conformément aux codes locaux. Utilisez la version courante du Code canadien de l'électricité CSA C22.1 au Canada ou le National Electrical Code ANSI/NFPA 70 aux États-Unis.



Nous suggérons que nos appareils au gaz soient installés et que l'entretien soit effectué par des professionnels certifiés par le National Fireplace Institute® (NFI) comme spécialiste du gaz NFI.

2.3 INFORMATION GÉNÉRALE

POUR VOTRE SATISFACTION, CET APPAREIL A ÉTÉ MIS À L'ESSAI POUR CONFIRMER SON FONCTIONNEMENT ET SA QUALITÉ!

RENDEMENTS ET EFFICACITÉS		
	GAZ NATUREL	GAZ PROPANE
Altitude	0 - 4 500*	0 - 4 500*
Débit maximal	11 500	11 000
Rendement maximal	8 600	8 250
Efficacité	75 %	75 %
Pression minimale d'alimentation en gaz	4.5" de colonne d'eau (11mb)	11" de colonne d'eau (27mb)
Pression maximale d'alimentation en gaz	7" de colonne d'eau (17mb)	13" de colonne d'eau (32mb)
Pression au collecteur (lorsque le gaz circule)	3.5" de colonne d'eau (9mb)	10" de colonne d'eau (25mb)

* Lorsque l'appareil est installé à des élévations dépassant 4 500 pieds (1372m), et en l'absence de recommandations spécifiques de l'autorité compétente locale, l'indice certifié du débit à haute altitude devra être réduit au taux de 4 % pour chaque 1 000 pieds (305m) supplémentaires.

Les bruits causés par l'expansion et la contraction lors des cycles de chauffage et de refroidissement sont tout à fait normaux et il faut s'y attendre.

Cet appareil ne doit fonctionner qu'avec le type de gaz spécifié sur la plaque d'homologation. Cet appareil ne peut être converti à un autre type de gaz à moins d'utiliser un ensemble de conversion certifié.

Prévoyez un accès suffisant pour entretenir et opérer l'appareil.

N'obstruez jamais l'ouverture sur le devant de l'appareil.

Une barrière conçue à réduire le risque de brûlures à partir de la chaude la vitre est à condition que avec l'appareil et sera être installés.

2.4 INFORMATION SUR LA PLAQUE D'HOMOLOGATION

CONFORMS TO / CONFORME AUX: ANSI Z21.50-2014, CERTIFIED TO / CERTIFIÉ CSA 2.22-2014 VENTED GAS FIREPLACE / FOYER À GAZ VENTILE.

DIRECT VENT VENTED GAS FIREPLACE APPROVED FOR BEDROOM, BATHROOM & BEDSITTING ROOM INSTALLATION. SUITABLE FOR MOBILE HOME INSTALLATION IF INSTALLED IN ACCORDANCE WITH THE CURRENT STANDARD CAN/CSA Z240M SERIES GAS EQUIPPED MOBILE HOMES, IN CANADA OR IN THE UNITED STATES THE MANUFACTURED HOME CONSTRUCTION AND SAFETY STANDARD, TITLE 24 CFR, PART 3280. WHEN THIS US STANDARD IS NOT APPLICABLE USE THE STANDARD FOR FIRE SAFETY CRITERIA FOR MANUFACTURED HOME INSTALLATIONS, SITES AND COMMUNITIES, ANSI / NFPA 501A.

ETL
Listed
Intertek

MANIFOLD PRESSURE: 3.5 INCHES W.C. (NG)
PRESSION AU COLLECTEUR: 3.5" D'UNE COLONNE D'EAU (GN)

MIN SUPPLY PRESSURE: 4.5" W.C. (NG)
PRESSION D'ALIMENTATION MIN: 4.5" D'UNE COLONNE D'EAU (GN)

MAX. SUPPLY PRESSURE: 7" W.C. (NG)
PRESSION D'ALIMENTATION MAX: 7" D'UNE COLONNE D'EAU (GN)

9700539 (WSL)
4001658 (NAC)

NATURAL GAS MODEL

GD19N CDV19N

0-4500R
11,500 BTU/h
8,000 BTU/h

ALTITUDE / ELEVATION
INPUT / ALIMENTATION
REDUCED INPUT /
ALIMENTATION RÉDUITE

P4

4001657 (NGZ)
4001659 (WUSA)

PROPANE MODEL

GD19P CDV19P

0-4500ft
11,000 BTU/h
59.9%

UN COMBUSTIBLE SOLIDE NE DOIT PAS
ÊTRE UTILISÉ AVEC CET APPAREIL

NOT FOR USE WITH SOLID FUEL 55.9%

FOR USE WITH GLASS DOORS CERTIFIED WITH THIS UNIT ONLY. FOR USE ONLY WITH BARRIER W565-0170. FOLLOW THE INSTALLATION INSTRUCTIONS LOCATED IN THE INSTALLATION MANUAL.

WARNING: DO NOT ADD ANY MATERIAL TO THE APPLIANCE, WHICH WILL COME IN CONTACT WITH THE FLAMES, OTHER THAN THAT SUPPLIED BY THE MANUFACTURER WITH THE APPLIANCE. THIS VENTED GAS FIREPLACE IS NOT FOR USE WITH AIR FILTERS.

ELECTRICAL RATINGS: BLOWER KIT GS66, 115V 0.5AMP 60HZ THE APPLIANCE MUST BE VENTED USING THE APPROPRIATE WOLF STEEL VENT KITS. SEE OWNERS INSTALLATION MANUAL FOR VENTING SPECIFICS. MINIMUM AND MAXIMUM VERTICAL VENT LENGTHS ARE 3 FEET AND 35 FEET RESPECTIVELY.

* MAXIMUM HORIZONTAL EXTENSION 2". SEE INSTRUCTION MANUAL FOR GREATER EXTENSIONS.

WOLF STEEL LTD.
24 NAPOLEON ROAD, BARRIE, ON, L4M 0G8 CANADA

SERIAL NUMBER / NO. DESERIE **GD19** W835-1976

EMPLACEMENT DE LA PLAQUE D'HOMOLOGATION : La plaque est située derrière la porte de contrôle et fixée par une chaînette à l'appareil. **NE PAS ENLEVER.**

Cette illustration est à titre de référence seulement. Consultez la plaque d'homologation pour obtenir l'information précise.

NOTE : La plaque d'homologation doit rester avec l'appareil à tout le temps. Il ne doit pas être enlevé.

! AVERTISSEMENT

RISQUE D'INCENDIE. CONSERVEZ LES DÉGAGEMENTS NÉCESSAIRES AU CONDUIT D'ÉVENT ET À L'APPAREIL.

SI LE SYSTÈME D'ÉVENT EST FOURNI AVEC DES ESPACEURS, LES COURSES HORIZONTALES ET VERTICALES DU SYSTÈME DOIVENT ÊTRE SUPPORTÉES À TOUS LES 3 PI (0,9m). UTILISEZ DES SUPPORTS OU DES ATTACHES INCOMBUSTIBLES ÉQUIVALENTS AFIN DE MAINTENIR LE DÉGAGEMENT AUX MATÉRIAUX COMBUSTIBLES. UTILISEZ L'ENSEMBLE DE SUPPORT MURAL WOLF STEEL W010-0370 OU DES SUPPORTS INCOMBUSTIBLES ÉQUIVALENTS AFIN DE CONSERVER LE DÉGAGEMENT MINIMAL AUX MATÉRIAUX COMBUSTIBLES POUR LES COURSES VERTICALES ET HORIZONTALES. DES ESPACEURS SONT FIXÉS AU CONDUIT INTÉRIEUR À INTERVALLES PRÉDÉTERMINÉS AFIN DE GARDER UN ESPACE VIDE AVEC LE CONDUIT EXTÉRIEUR. POUR QUE LE FONCTIONNEMENT SOIT SÉCURITAIRE, UN ESPACE VIDE EST REQUIS. UN ESPACEUR EST REQUIS AU DÉBUT, AU MILIEU ET À LA FIN DE CHAQUE COUDE AFIN DE MAINTENIR CET ESPACE VIDE. N'ENLEVEZ PAS CES ESPACEURS.

CET APPAREIL UTILISE UN SYSTÈME DE CONDUITS DE 4" (102mm) POUR L'ÉVACUATION ET DE 7" (178mm) POUR LA PRISE D'AIR.

Veillez consulter la section qui correspond à votre installation.

Afin d'assurer un fonctionnement sécuritaire et adéquat de l'appareil, vous devez observer les instructions d'évacuation à la lettre. Un changement à la longueur verticale minimale de l'évacuation pourrait entraîner des problèmes d'allumage du brûleur et/ou des accumulations de carbone. Sous des configurations d'évacuation extrêmes, allouez de 5 à 15 minutes pour que la flamme se stabilise après l'allumage. Il est suggéré fortement de les événements qui passent à travers des espaces non chauffés (greniers, garages, espaces réduits) devraient être recouverts d'un manchon isolant pour minimiser la condensation. Prévoyez un moyen d'inspecter visuellement le raccord des événements à l'appareil après que ce dernier a été installé. Utilisez un espaceur coupe-feu, un protecteur de conduit d'évacuation ou un écran thermique de grenier lorsque les murs intérieurs, le plancher ou le plafond sont traversés.

NOTE : Si, pour une raison quelconque, le système d'événements de prise d'air est démonté, réinstallez-le selon les instructions fournies dans l'installation initiale.

7.1C

3.1 LONGUEURS DES CONDUITS D'ÉVACUATION ET COMPOSANTS

Utilisez uniquement des composants d'évacuation Wolf Steel, Simpson Dura-Vent, Selkirk Direct Temp, American Metal Amerivent ou Metal-Fab. Les minimums et maximums des longueurs d'évent, pour les installations verticales et horizontales, et les emplacements des terminaisons pour les deux systèmes sont précisés dans ce manuel et doivent être respectés. Pour le Simpson Duravent, le Selkirk Direct Temp, l'American Metal Amerivent et le Metal-Fab, suivez la procédure d'installation fournie avec les composants d'évacuation.

Un adaptateur de départ est nécessaire et peut être acheté chez le fournisseur correspondant :

PIÈCE	4"/7"	FOURNISSEUR	SITE WEB
Duravent	W175-0053	Wolf Steel	www.duravent.com
Amerivent	4DSC-N2	American Metal	www.americanmetalproducts.com
Direct Temp	4DT-AAN	Selkirk	www.selkirkcorp.com
SuperSeal	4DNA	Metal-Fab	www.mtlfab.com

Pour le Simpson Dura-Vent, le Selkirk Direct Temp, l'American Metal Amerivent et le Metal-Fab, suivez la procédure d'installation qui se trouve sur le site Web de votre fournisseur.

Pour les systèmes d'événements dont le conduit intérieur d'évacuation possède déjà des joints scellés, seuls les joints du conduit extérieur de prise d'air doivent être scellés avec un scellant de silicone rouge à haute température (RTV). Ce même scellant peut être utilisé sur les joints des conduits intérieurs et extérieurs de tous les autres systèmes d'événements approuvés à l'exception du raccordement du conduit d'évacuation à la buse du foyer qui doit être scellé avec le scellant noir à haute température Mill Pac. Le scellant à haute température doit être commandé séparément.

Lorsque vous utilisez des composants d'évacuation Napoléon®, n'utilisez que des composants flexibles/rigides d'évacuation Wolf Steel Itée conjointement avec les ensembles de terminaison suivants : les ensembles de terminaison murale **GD222**, **GD222R**, ou l'ensemble de terminaison pour toit de pente 1/12 à 7/12 **GD110**, l'ensemble de terminaison pour toit de pente 8/12 à 12/12 **GD111**, l'ensemble de terminaison pour toit plat **GD112** ou l'ensemble périscopique **GD201**

(pour pénétration des murs sous le niveau du sol). Lorsque vous utilisez des conduits flexibles, conjointement avec les différentes terminaisons, utilisez l'ensemble d'événements de 5PI (1,5m) **GD220** ou l'ensemble d'événements de 10PI (3,1m) **GD330**.

Pour une performance optimale de l'appareil et une apparence optimale des flammes, gardez la longueur des événements et le nombre de coudes au minimum. La prise d'air de la terminaison extérieure doit demeurer dégagée en tout temps. Vérifiez la prise d'air de la terminaison au moins une fois l'an pour vous assurer qu'elle n'est pas obstruée ni endommagée.

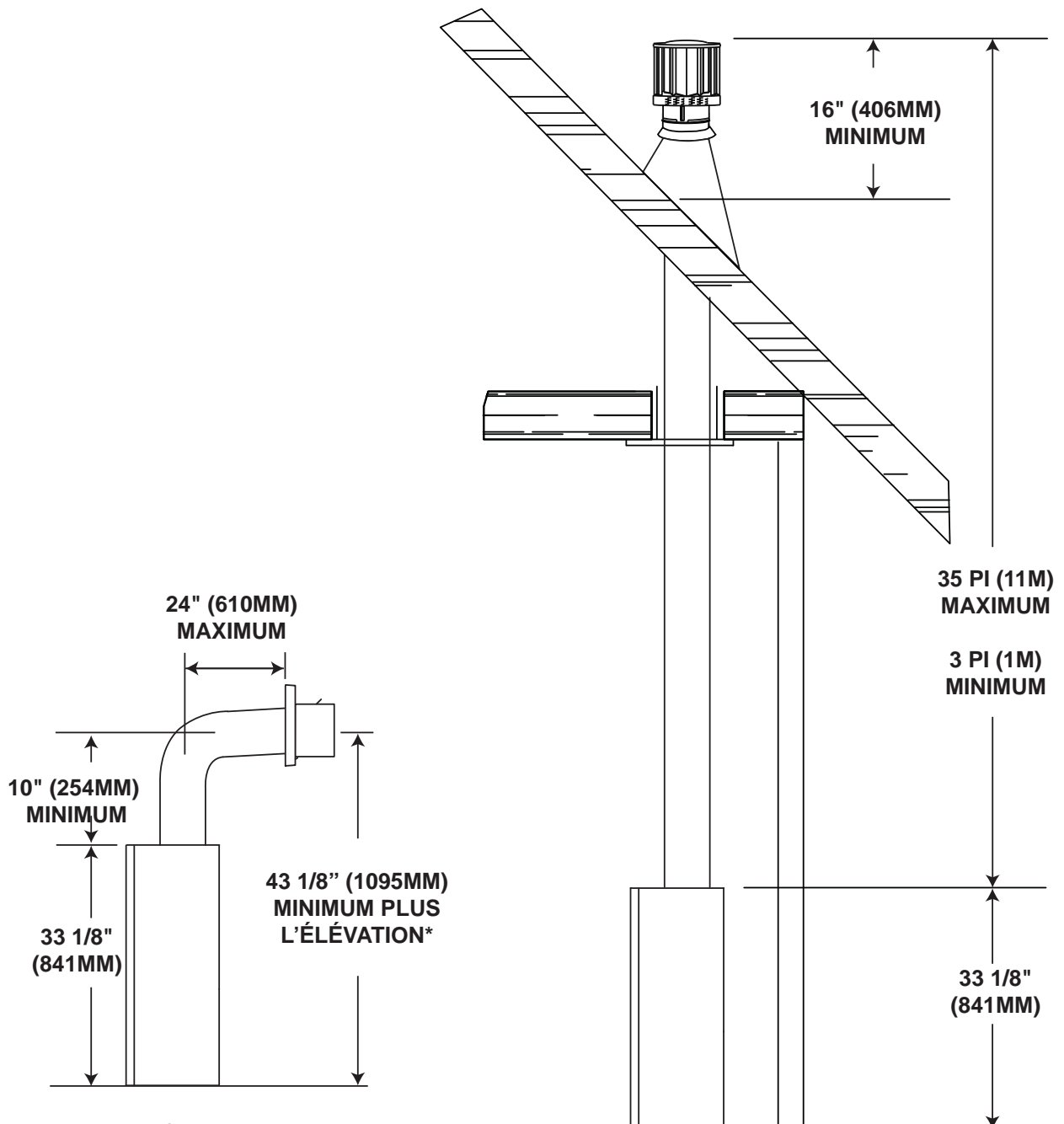
Ne combinez pas de composants rigides ou flexibles ni de composants d'évacuation provenant de fabricants différents.

Ces ensembles d'événements permettent soit une évacuation verticale, soit une évacuation horizontale de l'appareil. La course horizontale doit être conservée à un maximum de 20PI (6,1m). La hauteur totale permise pour un événement vertical est de 40PI (12,2m). Lorsque vous utilisez des composants flexibles, le nombre maximal de raccordements est de deux horizontalement ou trois verticalement (excluant les raccordements à l'appareil et à la section de terminaison).

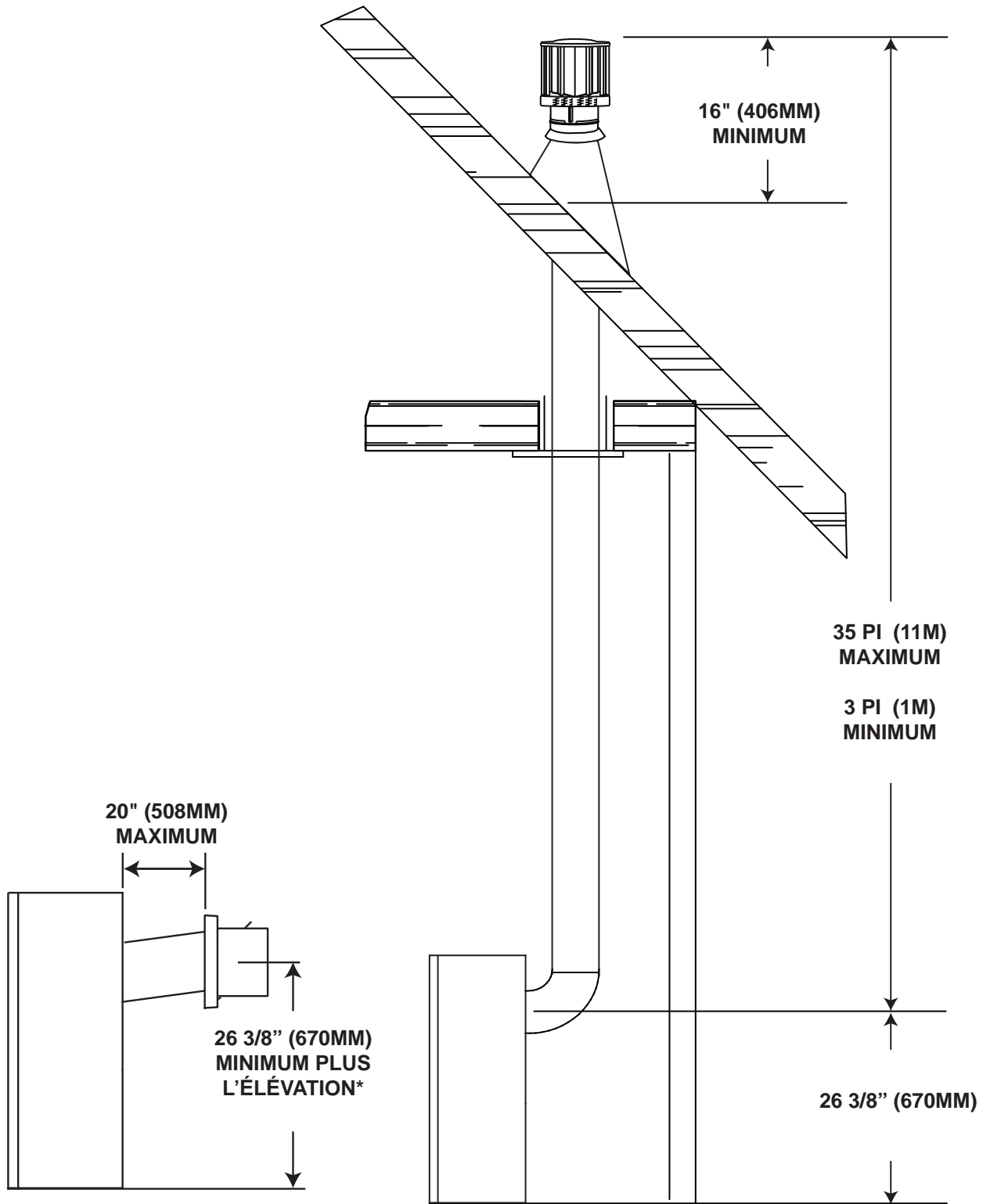
FR

8.1A

3.2 INSTALLATIONS TYPIQUES D'ÉVÉNEMENTS



* Voir la section « ÉVACUATION »

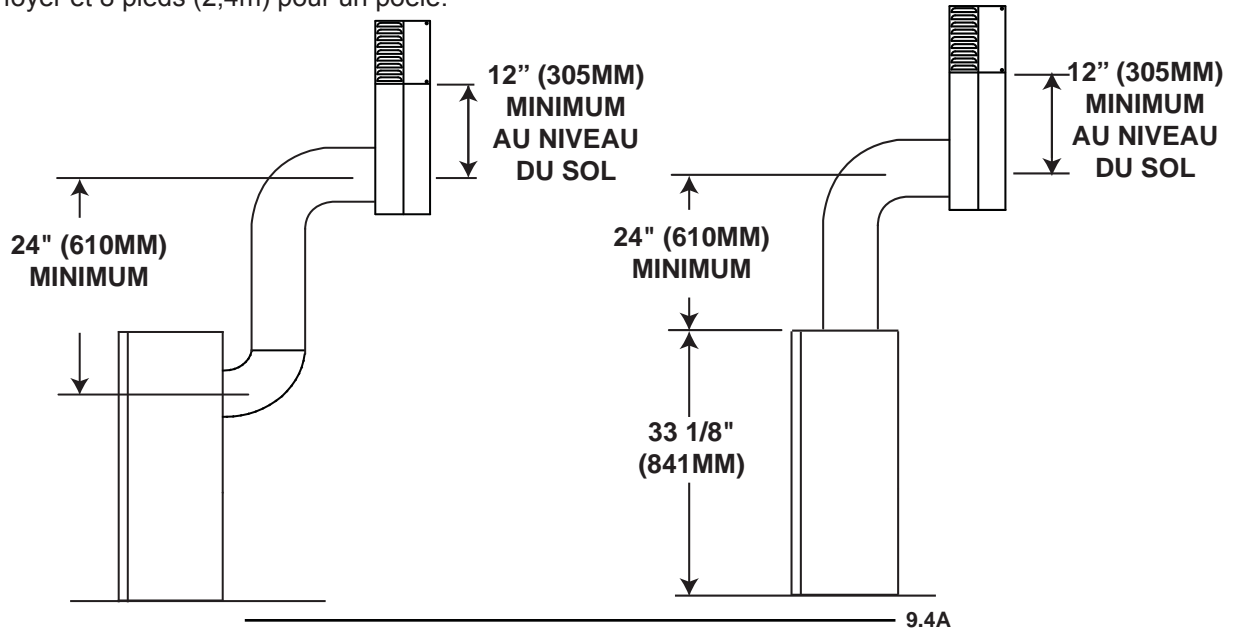


* Voir la section « ÉVACUATION »

3.3 INSTALLATIONS PARTICULIÈRES D'ÉVENTS

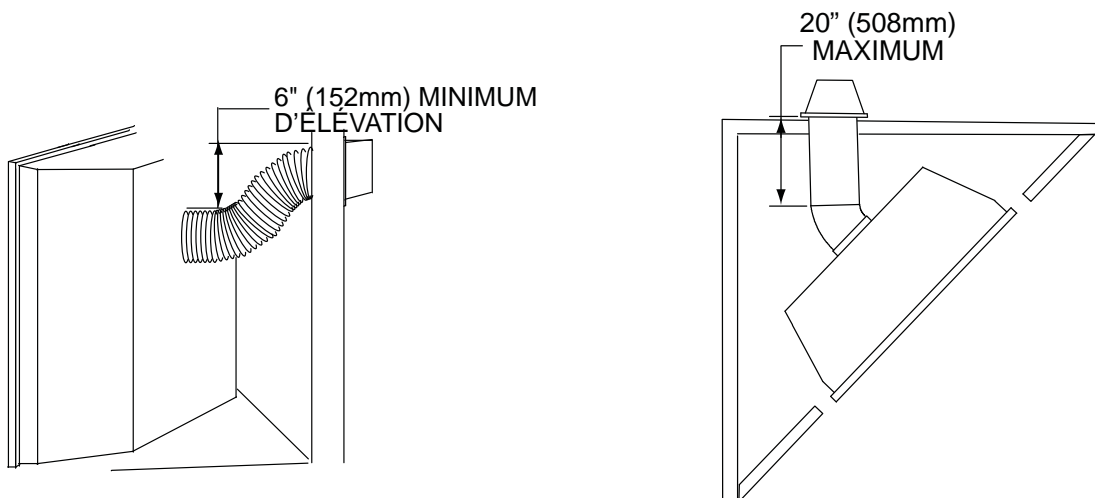
3.3.1 ENSEMBLE PÉRISCOPIQUE

Utilisez l'ensemble périscopique afin de positionner la terminaison au-dessus du niveau du sol. L'ensemble périscopique doit être installé de façon à ce que la fente d'air du bas soit située à un minimum de 12 pouces (304,8mm) au-dessus du niveau du sol. La longueur maximale permise de l'évent est de 10 pieds (3,1m) pour un foyer et 8 pieds (2,4m) pour un poêle.

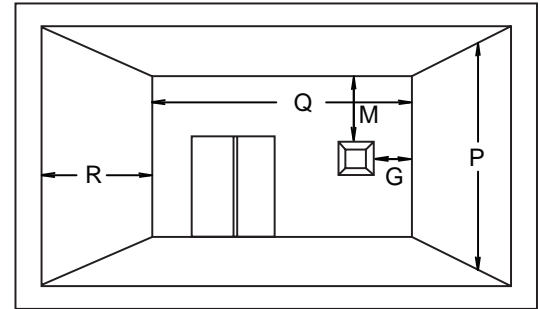
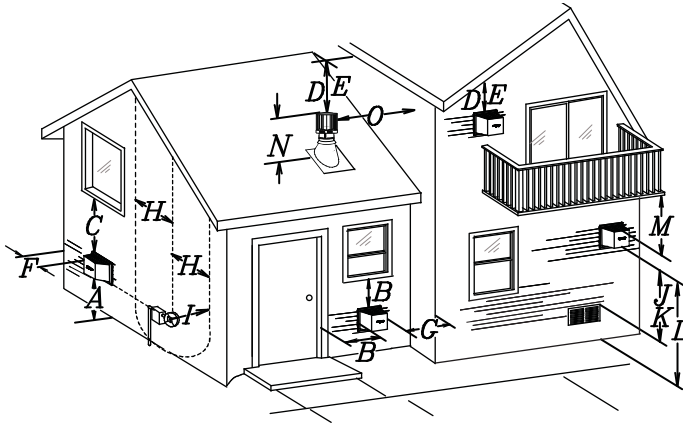


3.3.2 INSTALLATION EN COIN

Lorsque l'évent est installé en coin, la longueur maximale du conduit d'évacuation est de 20" (508mm) de course horizontale, en plus de la déviation de 45°. Dans ce cas, une pente de zéro pouce est acceptable. Voir les illustrations ci-dessous. Il est conseillé de conserver une pente ascendante de 6" (152mm)...



APPLICATIONS POUR BALCON COUVERT



$Q_{\text{MIN}} = 3 \text{ pieds}$ (0,9m)	$R_{\text{MAX}} = 2 \times Q_{\text{RÉELLE}}$	$R_{\text{MAX}} \leq 15 \text{ pieds}$ (4,6m)
--	---	--

	INSTALLATION		
	CANADA	É.-U.	
A	12" (304.8mm)	12" (304.8mm)	Dégagement au-dessus du sol, d'une véranda, d'une terrasse en bois ou d'un balcon.
B	12" (304.8mm) ^Δ	9" (228.6mm) ^Δ	Dégagement des fenêtres ou des portes qui ouvrent.
C	12" (304.8mm)*	12" (304.8mm)*	Dégagement des fenêtres fermées en permanence.
D	18" (457.2mm)**	18" (457.2mm)**	Dégagement vertical d'un soffite ventilé situé au-dessus de la terminaison si la distance horizontale est de moins de 2' (0,6m) de la ligne médiane de la terminaison.
E	18" (457.2mm)**	18" (457.2mm)**	Dégagement d'un soffite non ventilé.
F	0" (0mm)	0" (0mm)	Dégagement des murs faisant coin extérieur.
G	0" (0mm)***	0" (0mm)***	Dégagement des murs extérieurs incombustibles faisant coin intérieur ou aux obstructions incombustibles (cheminée, etc.).
	2" (50.8mm)***	2" (50.8mm)***	Dégagement des murs extérieurs combustibles faisant coin intérieur ou aux obstructions combustibles (habillage extérieur, etc.).
H	3' (0.9m)	3' (0.9m)****	Dégagement horizontal de chaque côté depuis la ligne verticale tirée du centre d'un ensemble de régulateur/compteur pour une distance verticale maximale de 15' (4,6m).
I	3' (0.9m)	3' (0.9m)****	Dégagement de l'évent du régulateur
J	12" (304.8mm)	9" (228.6mm)	Dégagement d'une prise d'air de ventilation non mécanique de la maison ou d'une prise d'air de combustion de tout autre appareil.
K	6' (1.8m)	3' (0.9m) †	Dégagement d'une prise d'air mécanique.
L	7' (2.1m) ‡	7' (2.1m) ****	Dégagement au-dessus d'un trottoir ou d'une entrée pavée situés sur une propriété publique.
M	12" (304.8mm) ††	12" (304.8mm)****	Dégagement sous une véranda, une terrasse en bois ou un balcon.
N	16" (406.4mm)	16" (406.4mm)	Dégagement au-dessus du toit.
O	2' (0.6m) †*	2' (0.6m) †*	Dégagement des murs adjacents, incluant les maisons voisines.
P	8' (2.4m)	8' (2.4m)	Le toit doit être incombustible et sans ouvertures.
Q	3' (0.9m)	3' (0.9m)	Voir le tableau pour les dimensions d'un mur plus large
R	6' (1.8m)	6' (1.8m)	Voir le tableau pour les dimensions d'un mur plus profond. La terminaison ne doit pas être installée sur quelconque mur ayant une ouverture entre la terminaison et le côté ouvert de la structure.

Δ Pour les structures comportant trois murs et un toit, la terminaison doit être située à plus de 6 pieds (1,8m) sous une fenêtre s'ouvrant sur un plan horizontal.

* Recommandé afin de prévenir la formation de buée dans les fenêtres et les cassures thermiques.

** Il est recommandé d'utiliser un protecteur de chaleur et de maximiser la distance au soffite de plastique.

*** L'ensemble périscopique requiert un dégagement minimal de 18 pouces (457,2mm) d'un mur extérieur faisant coin intérieur.

**** Ceci est une distance recommandée. Vérifiez les codes locaux pour connaître les contraintes additionnelles.

† Trois pieds au-dessus si la distance horizontale est de moins de 10 pieds (3,1m).

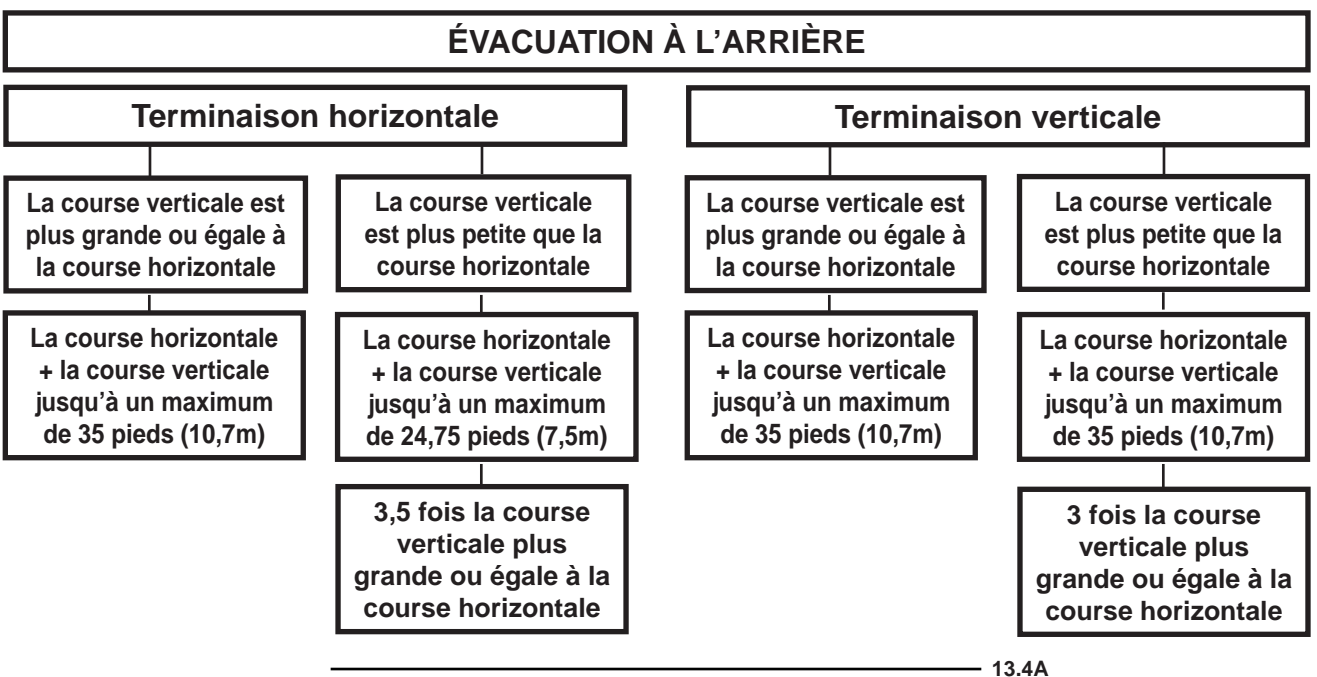
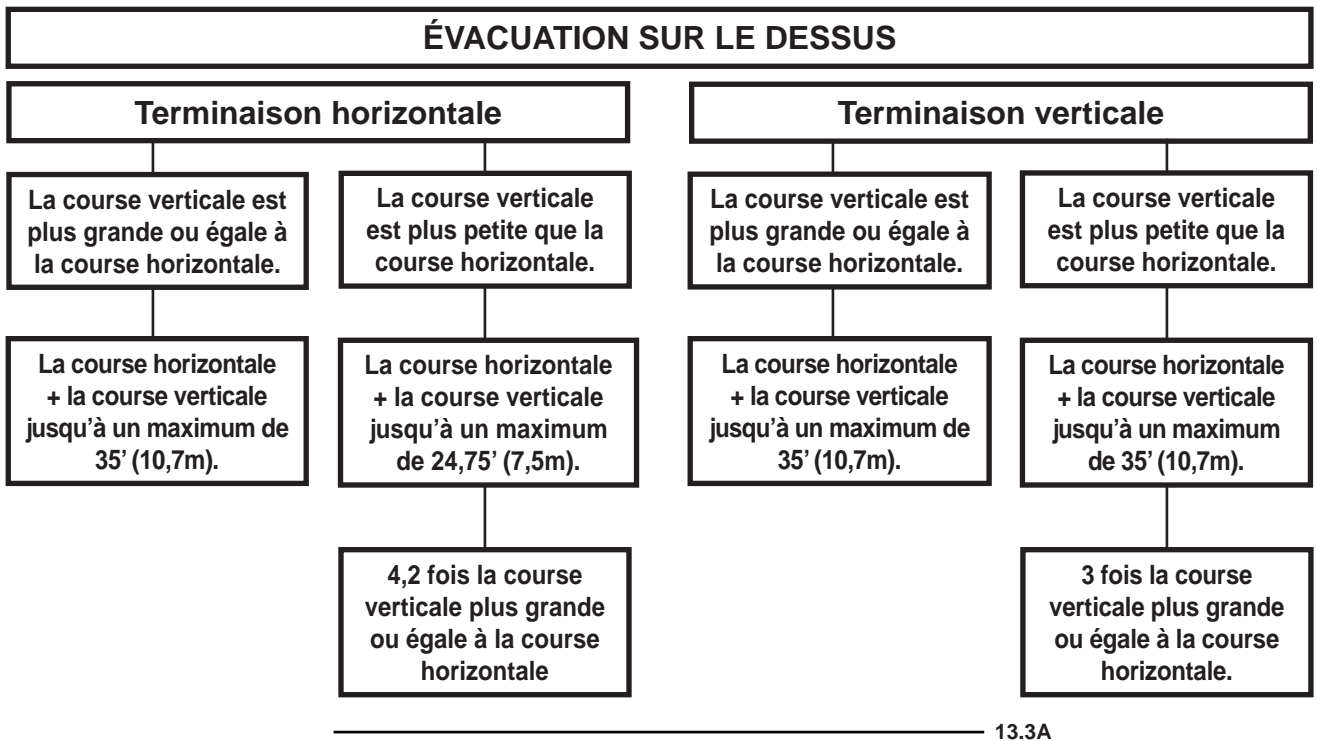
‡ Une terminaison d'évacuation ne doit pas être installée à un endroit où elle pourrait causer une formation dangereuse de givre ou de glace sur les surfaces d'une propriété adjacente.

†† Permis seulement si la véranda ou la terrasse en bois sont complètement ouverts sur un minimum de deux côtés sous le plancher.

†* Recommandé afin d'éviter la recirculation des produits d'échappement. Vérifiez les codes locaux pour connaître les contraintes additionnelles.

NOTE : Les dégagements sont en conformité avec les codes d'installation locaux et les exigences du fournisseur de gaz.

3.5 CHARTE D'APPLICATION DES ÉVACUATIONS



3.6 LÉGENDE

Les symboles suivants sont utilisés dans le calcul et les exemples d'évacuation :

> - plus grand que

≥ - plus grand ou égal à

< - plus petit que

≤ - plus petit ou égal à

H_T - total de la longueur des courses horizontales (H_r) et des déviations (H_o) en pieds

H_R - longueur des courses horizontales combinées en pieds

H_O - facteur de la valeur d'une déviation : 0,03 (du total des degrés de déviation - 90°*) en pieds

V_T - longueur des courses verticales combinées en pieds

14.1

3.7 VALEURS DU COUDE EN LONGUEURS D'ÉVENT

	<u>PIEDS</u>	<u>POUCES</u>	<u>MILLIMÈTRES</u>
1°	0,03	0,5	12,7
15°	0,45	6,0	152,4
30°	0,9	11,0	279,4
45°	1,35	16,0	406,4
90°*	2,7	32,0	812,8

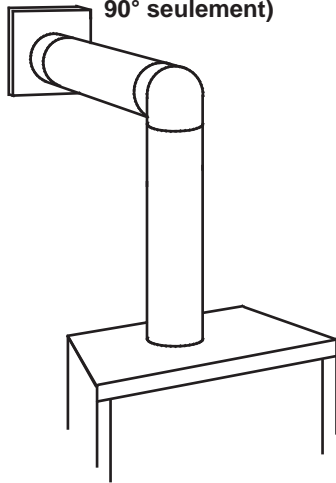
* La première déviation de 90° a une valeur zéro et est illustrée dans la formule comme - 90°

15.1A

3.8 ÉVACUATION SUR LE DESSUS - TERMINAISON HORIZONTALE

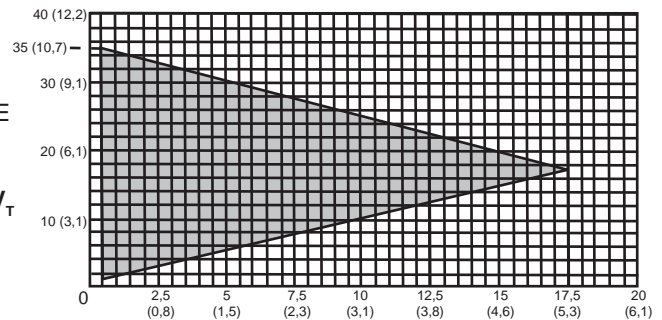
$$(H_T) \leq (V_T)$$

Configuration d'évacuation simple (un coude de 90° seulement)



COURSE VERTICALE REQUISE EN PIEDS (MÈTRES) V_T

Consultez le graphique pour déterminer la course verticale nécessaire V_T par rapport à la course horizontale requise H_T .



LONGUEUR DES COURSES HORIZONTALES PLUS LES DÉVIATIONS EN PIEDS (MÈTRES) H_T

La section ombragée à l'intérieur des lignes représente des valeurs acceptables pour H_T et V_T

Lorsque la configuration de l'évacuation exige plus qu'un coude de 90°, les formules suivantes s'appliquent :

Formule 1 : $H_T \leq V_T$

Formule 2 : $H_T + V_T \leq 35$ pieds (10,7m)

Exemple :

$$V_1 = 3 \text{ PI (0,9m)}$$

$$V_2 = 8 \text{ PI (2,4m)}$$

$$V_T = V_1 + V_2 = 3 \text{ PI (0,9m)} + 8 \text{ PI (2,4m)} = 11 \text{ PI (3,4m)}$$

$$H_1 = 2,5 \text{ PI (0,8m)}$$

$$H_2 = 2 \text{ PI (0,6m)}$$

$$H_R = H_1 + H_2 = 2,5 \text{ PI (0,8m)} + 2 \text{ PI (0,6m)} = 4,5 \text{ PI (1,4m)}$$

$$H_0 = 0,03 \text{ (trois coudes } 90^\circ - 90^\circ) = 0,03 \text{ (} 270^\circ - 90^\circ) = 5,4 \text{ PI (1,7m)}$$

$$H_T = H_R + H_0 = 4,5 \text{ PI (1,4m)} + 5,4 \text{ PI (1,7m)} = 9,9 \text{ PI (3m)}$$

$$H_T + V_T = 9,9 \text{ PI (3m)} + 11 \text{ PI (3,4m)} = 20,9 \text{ PI (6,4m)}$$

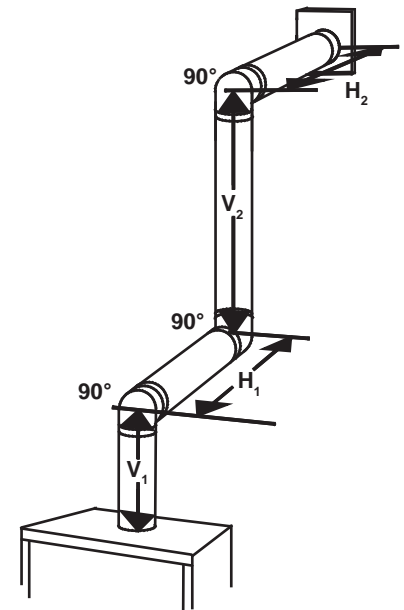
Formule 1 : $H_T \leq V_T$

$$9,9 \text{ PI (3m)} \leq 11 \text{ PI (3,4m)}$$

Formule 2 : $H_T + V_T \leq 35 \text{ PI (10,7m)}$

$$20,9 \text{ PI (6,4m)} \leq 35 \text{ PI (10,7m)}$$

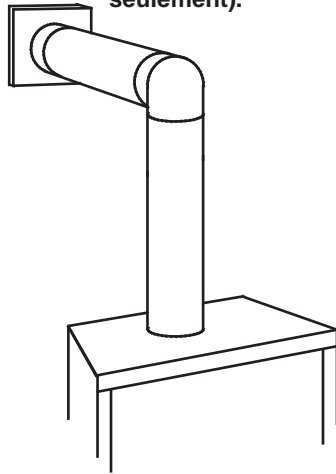
Puisque les deux formules sont respectées, cette configuration d'évacuation est acceptable.



16.6B

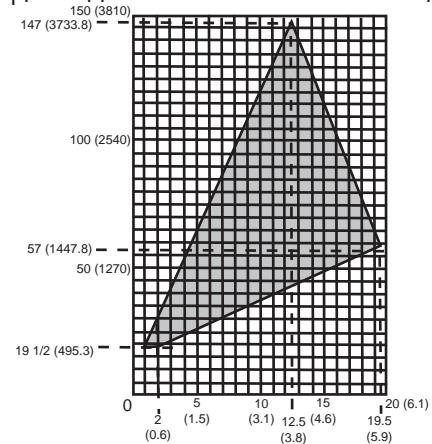
$$(H_T) > (V_T)$$

Configuration d'évacuation simple (un coude de 90° seulement).



Consultez le graphique pour déterminer la course verticale nécessaire V_T par rapport à la course horizontale requise H_T .

COURSE VERTICALE REQUISE EN POUCHES (MILLIMÈTRES) V_T



LONGUEUR DES COURSES HORIZONTALES PLUS LES DÉVIATIONS EN PIEDS (MÈTRES) H_T

La section ombragée à l'intérieur des lignes représente des valeurs acceptables pour H_T et V_T .

Lorsque la configuration de l'évacuation exige plus d'un coude de 90°, les formules suivantes s'appliquent :

Formule 1: $H_T \leq 4,2 V_T$

Formule 2: $H_T + V_T \leq 24,75$ pieds (7,5m)

Exemple:

$$V_1 = V_T = 6 \text{ PI (1,8m)}$$

$$H_1 = 3 \text{ PI (0,9m)}$$

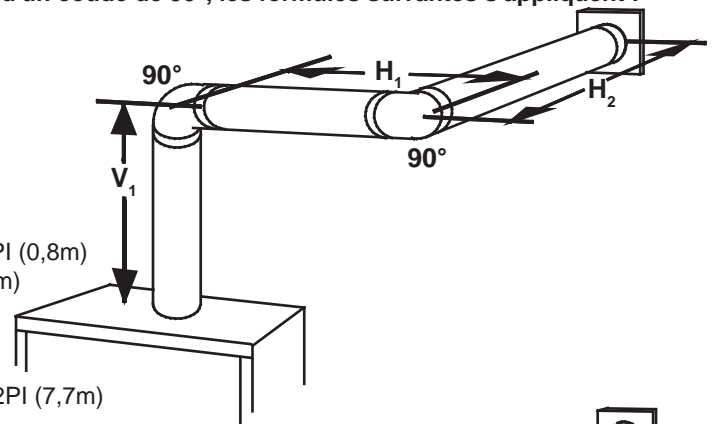
$$H_2 = 5 \text{ PI (1,5m)}$$

$$H_R = H_1 + H_2 = 3 \text{ PI (0,9m)} + 5 \text{ PI (1,5m)} = 8 \text{ PI (2,4m)}$$

$$H_0 = .03 \text{ (two } 90^\circ \text{ elbows} - 90^\circ) = .03 \text{ (} 180^\circ - 90^\circ) = 2,7 \text{ PI (0,8m)}$$

$$H_T = H_R + H_0 = 8 \text{ PI (2,4m)} + 2,7 \text{ PI (0,8m)} = 10,7 \text{ PI (3,3m)}$$

$$H_T + V_T = 10,7 \text{ PI (3,3m)} + 6 \text{ PI (1,8m)} = 16,7 \text{ PI (5,1m)}$$



Formule 1: $H_T \leq 4,2 V_T$

$$4,2 V_T = 4,2 \text{ PI (1,3m)} \times 6 \text{ PI (1,8m)} = 25,2 \text{ PI (7,7m)}$$

$$10,7 \text{ PI (3,3m)} \leq 25,2 \text{ PI (7,7m)}$$

Formule 2: $H_T + V_T \leq 24,75$ PI (7,5m)

$$16,7 \text{ PI (5,1m)} \leq 24,75 \text{ PI (7,5m)}$$

Puisque les deux formules sont respectées, cette configuration d'évacuation est acceptable.

Exemple:

$$V_1 = 4 \text{ PI (1,2m)}$$

$$V_2 = 1,5 \text{ PI (0,5m)}$$

$$V_T = V_1 + V_2 = 4 \text{ PI (1,2m)} + 1,5 \text{ PI (0,5m)} = 5,5 \text{ PI (1,7m)}$$

$$H_1 = 2 \text{ PI (0,6m)}$$

$$H_2 = 1 \text{ PI (0,3m)}$$

$$H_3 = 1 \text{ PI (0,3m)}$$

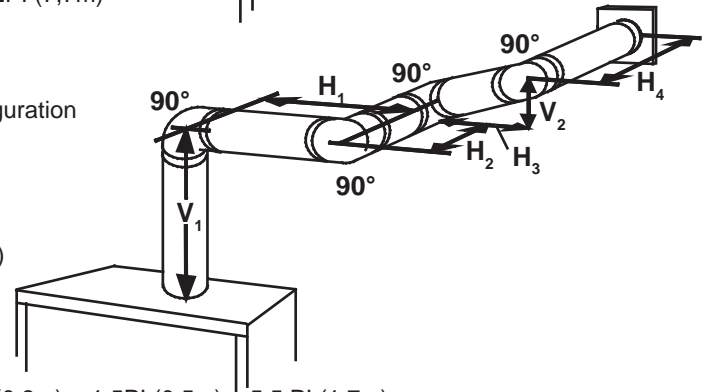
$$H_4 = 1,5 \text{ PI (0,5m)}$$

$$H_R = H_1 + H_2 + H_3 + H_4 = 2 \text{ PI (0,6m)} + 1 \text{ PI (0,3m)} + 1 \text{ PI (0,3m)} + 1,5 \text{ PI (0,5m)} = 5,5 \text{ PI (1,7m)}$$

$$H_0 = 0,03 \text{ (quatre coudes } 90^\circ - 90^\circ) = 0,03 \text{ (} 360^\circ - 90^\circ) = 8,1 \text{ PI (2,5m)}$$

$$H_T = H_R + H_0 = 5,5 \text{ PI (1,7m)} + 8,1 \text{ PI (2,5m)} = 13,6 \text{ PI (4,2m)}$$

$$H_T + V_T = 13,6 \text{ PI (4,2m)} + 5,5 \text{ PI (1,7m)} = 19,1 \text{ PI (5,8m)}$$



Formule 1: $H_T \leq 4,2 V_T$

$$4,2 V_T = 4,2 \text{ PI (1,3m)} \times 5,5 \text{ PI (1,7m)} = 23,1 \text{ PI (7m)}$$

$$13,6 \text{ PI (4,2m)} \leq 23,1 \text{ PI (7m)}$$

Formule 2: $H_T + V_T \leq 24,75$ PI (7,5m)

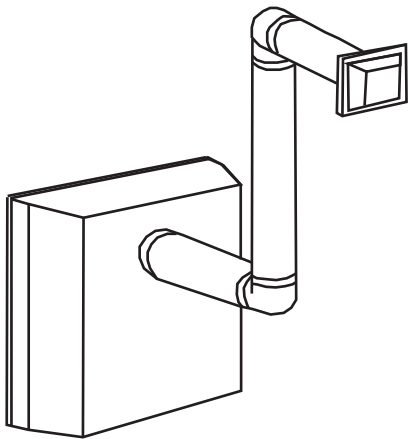
$$19,1 \text{ PI (5,8m)} \leq 24,75 \text{ PI (7,5m)}$$

Puisque les deux formules sont respectées, cette configuration d'évacuation est acceptable.

3.9 ÉVACUATION À L'ARRIÈRE - TERMINAISON HORIZONTALE

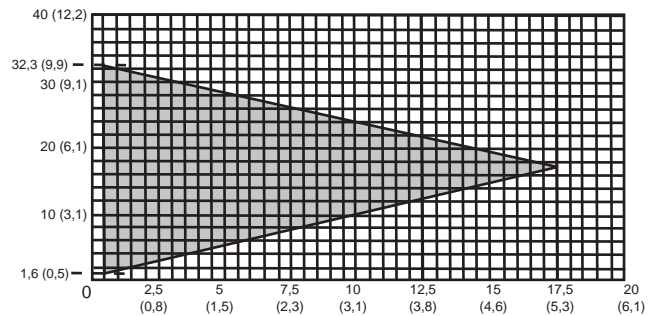
$$(H_T) \leq (V_T)$$

**Configuration d'évacuation simple
(deux coudes de 90° seulement)**



Consultez le graphique pour déterminer la course verticale nécessaire V_T par rapport à la course horizontale requise H_T .

COURSE
VERTICALE
REQUISE
EN PIEDS
(MÈTRES) V_T



LONGUEUR DES COURSES HORIZONTALES PLUS LES
DÉVIATIONS EN PIEDS (MÈTRES) H_T

La section ombragée à l'intérieur des lignes représente des valeurs acceptables pour H_T et V_T

Lorsque la configuration de l'évacuation exige plus que deux coudes de 90°, les formules suivantes s'appliquent :

Formule 1 : $H_T \leq V_T$

Formule 2 : $H_T + V_T \leq 35$ pieds (10,7m)

Exemple :

$$V_1 = 9 \text{ PI (2,7m)}$$

$$V_2 = 6 \text{ PI (1,8m)}$$

$$V_T = V_1 + V_2 = 9 \text{ PI (2,7m)} + 6 \text{ PI (1,8m)} = 15 \text{ PI (4,6m)}$$

$$H_1 = 3 \text{ PI (0,9m)}$$

$$H_2 = 2 \text{ PI (0,3m)}$$

$$H_3 = 1,5 \text{ PI (0,5m)}$$

$$H_R = H_1 + H_2 + H_3 = 3 \text{ PI (0,9m)} + 2 \text{ PI (0,3m)} + 1,5 \text{ PI (0,5m)} = 6,5 \text{ PI (2m)}$$

$$H_O = 0,03 \text{ (quatre coudes } 90^\circ - 90^\circ) = 0,03 \text{ (} 360^\circ - 90^\circ) = 8,1 \text{ PI (2,5m)}$$

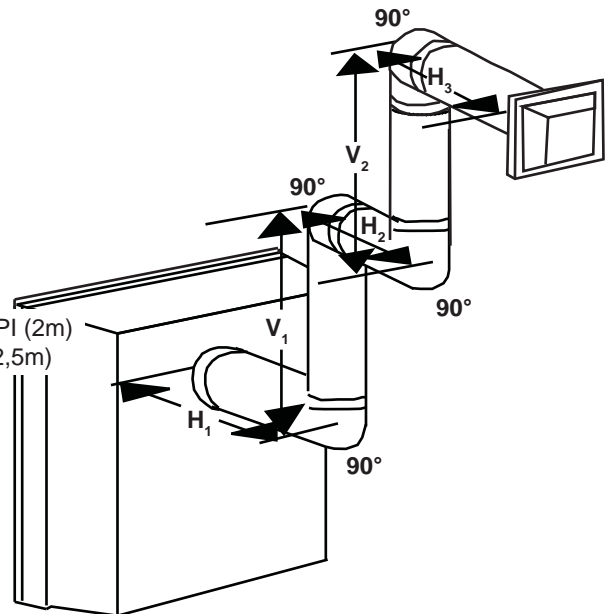
$$H_T = H_R + H_O = 6,5 \text{ PI (2m)} + 8,1 \text{ PI (2,5m)} = 14,6 \text{ PI (4,5m)}$$

$$H_T + V_T = 14,6 \text{ PI (4,5m)} + 15 \text{ PI (4,6m)} = 29,6 \text{ PI (9m)}$$

Formule 1 : $H_T \leq V_T$
 $14,6 \text{ PI (4,5m)} \leq 15 \text{ PI (4,6m)}$

Formule 2 : $H_T + V_T \leq 35 \text{ PI (10,7m)}$
 $29,6 \text{ PI (9m)} \leq 35 \text{ PI (10,7m)}$

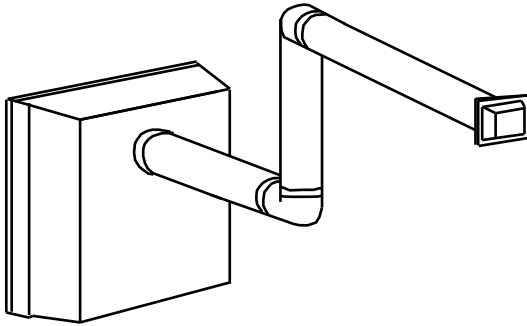
Puisque les deux formules sont respectées, cette configuration d'évacuation est acceptable.



16.6_2B

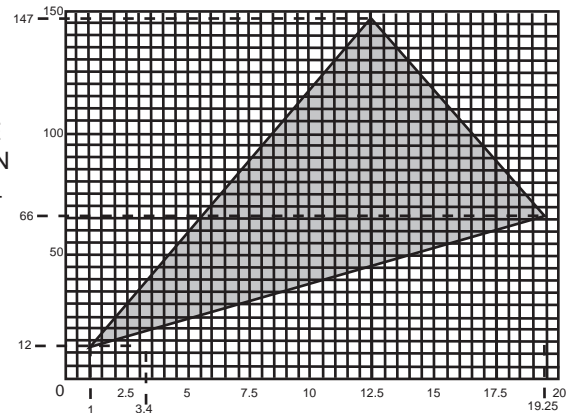
$$(H_T) > (V_T)$$

**Configuration d'évacuation simple
(deux coudes de 90° seulement)**



Consultez le graphique pour déterminer la course verticale nécessaire V_T par rapport à la course horizontale requise H_T .

COURSE
VERTICALE
REQUISE EN
POUCES V_T



LONGUEUR DES COURSES HORIZONTALES PLUS
LES DÉVIATIONS EN PIEDS H_T
La section ombragée à l'intérieur des lignes représente
des valeurs acceptables pour H_T et V_T

Lorsque la configuration de l'évacuation exige plus que deux coudes de 90°, les formules suivantes s'appliquent :

Formule 1 : $H_T \leq 3,5V_T$

Formule 2 : $H_T + V_T \leq 24,75$ pieds

Exemple :

$$V_1 = 4 \text{ PI}$$

$$V_2 = 1,5 \text{ PI}$$

$$V_T = V_1 + V_2 = 4 + 1,5 = 5,5 \text{ PI}$$

$$H_1 = 2 \text{ PI}$$

$$H_2 = 1 \text{ PI}$$

$$H_3 = 1 \text{ PI}$$

$$H_4 = 1,5 \text{ PI}$$

$$H_R = H_1 + H_2 + H_3 + H_4 = 2 + 1 + 1 + 1,5 = 5,5 \text{ PI}$$

$$H_o = 0,03 \text{ (quatre coudes } 90^\circ + \text{ un coude } 45^\circ - 90^\circ)$$

$$= 0,03 (90 + 90 + 90 + 90 + 45 - 90) = 9,45 \text{ PI}$$

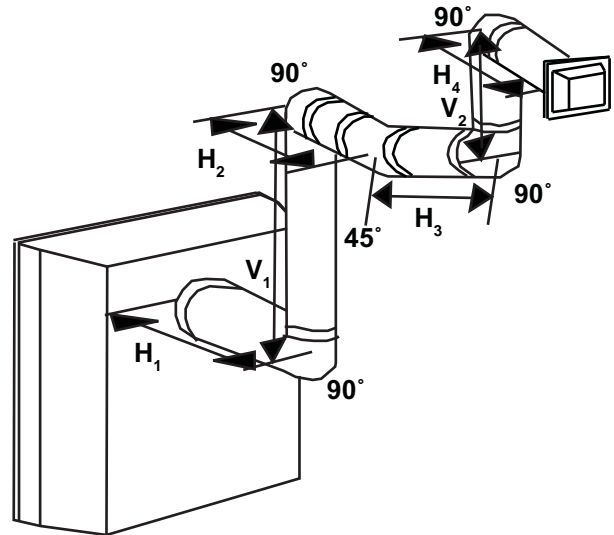
$$H_T = H_R + H_o = 5,5 + 9,45 = 14,95 \text{ PI}$$

$$H_T + V_T = 14,95 + 5,5 = 20,45 \text{ PI}$$

Formule 1 : $H_T \leq 3,5V_T$
 $3,5V_T = 3,5 \times 5,5 = 19,25 \text{ PI}$
 $14,95 \leq 19,25$

Formule 2 : $H_T + V_T \leq 24,75 \text{ PI}$
 $20,45 \leq 24,75$

Puisque les deux formules sont respectées, cette configuration d'évacuation est acceptable.

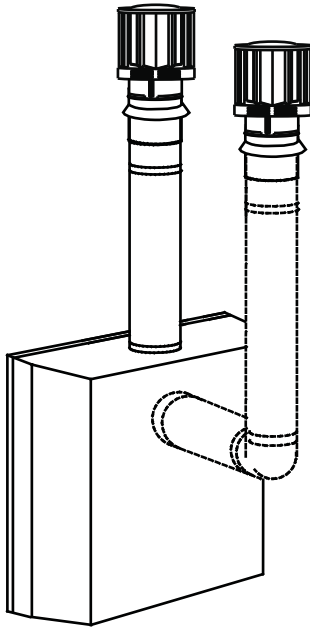


16.6_3A

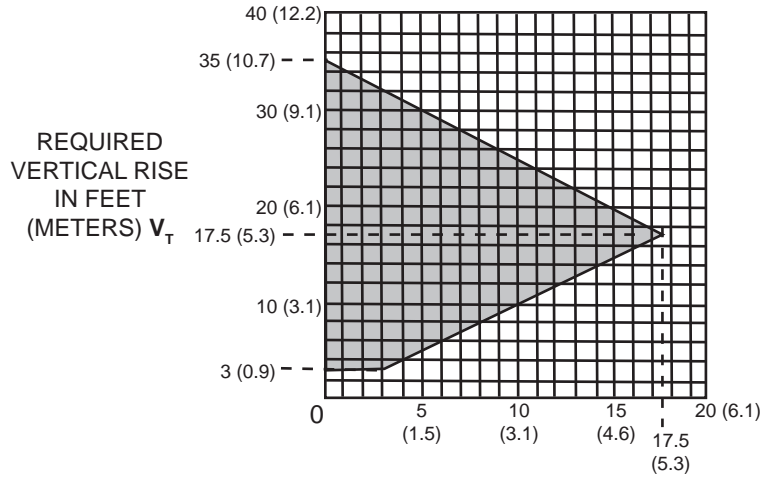
3.10 ÉVACUATION SUR LE DESSUS OU À L'ARRIÈRE - TERMINAISON VERTICALE

$(H_T) \leq (V_T)$

Simple venting configurations.



See graph to determine the required vertical rise V_T for the required horizontal run H_T .



HORIZONTAL VENT RUN PLUS OFFSET IN FEET (METERS) H_T

The shaded area within the lines represents acceptable values for H_T and V_T

For vent configurations requiring one or more 90° elbows (top exit) or one 90° elbow (rear exit), the following formulas apply:

Formula 1: $H_T \leq V_T$

Formula 2: $H_T + V_T \leq 35 \text{ feet (10.7m)}$

Example:

$V_1 = 3 \text{ FT (0.9m)}$

$V_2 = 6 \text{ FT (1.8m)}$

$V_3 = 8 \text{ FT (2.4m)}$

$V_T = V_1 + V_2 + V_3 = 3\text{FT (0.9m)} + 6\text{FT (1.8m)} + 8\text{FT (2.4m)} = 17\text{FT (5.2m)}$

$H_1 = 2 \text{ FT (0.6m)}$

$H_2 = 2.5 \text{ FT (0.8m)}$

$H_R = H_1 + H_2 = 2\text{FT (0.6m)} + 2.5\text{FT (0.8m)} = 4.5\text{FT (1.4m)}$

$H_o = .03 \text{ (four } 90^\circ \text{ elbows} - 90^\circ)$

$= .03 (360^\circ - 90^\circ) = 8.1 \text{ FT (2.5m)}$

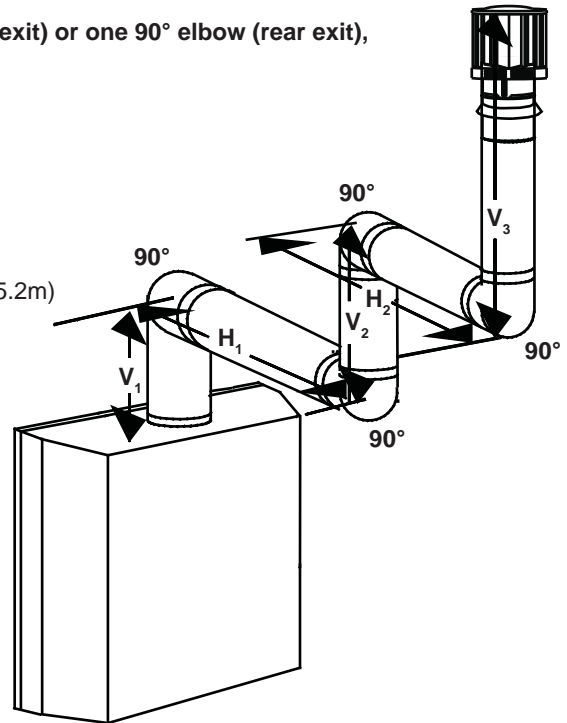
$H_T = H_R + H_o = 4.5\text{FT (1.4m)} + 8.1\text{FT (2.5m)} = 12.6\text{FT (3.8m)}$

$H_T + V_T = 12.6\text{FT (3.8m)} + 17\text{FT (5.2m)} = 29.6\text{FT (9m)}$

Formula 1: $H_T \leq 3.5 V_T$
 $12.6\text{FT (3.8m)} \leq 17\text{FT (5.2m)}$

Formula 2: $H_T + V_T \leq 35 \text{ FT (10.7m)}$
 $29.6\text{FT (9m)} \leq 35\text{FT (10.7m)}$

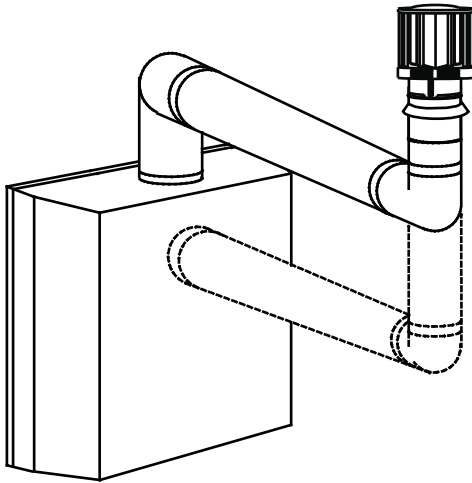
Since both formulas are met, this vent configuration is acceptable.



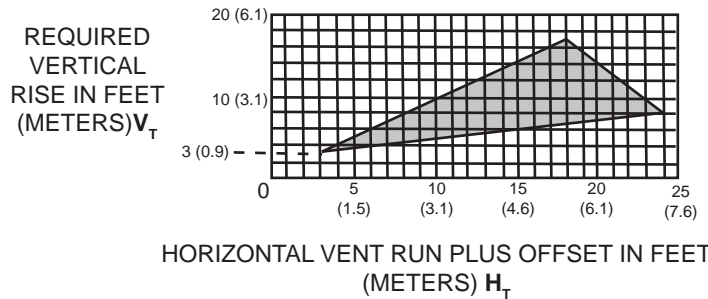
18.4A

$$(H_T) > (V_T)$$

Simple venting configurations.



See graph to determine the required vertical rise V_T for the required horizontal run H_T .



The shaded area within the lines represents acceptable values for H_T and V_T

For vent configurations requiring more than one 90° elbows (top exit) or one 90° elbow (rear exit), the following formulas apply:

Formula 1: $H_T \leq 3 V_T$

Formula 2: $H_T + V_T \leq 35 \text{ feet (10.7m)}$

Example:

$V_1 = 2 \text{ FT (0.6m)}$

$V_2 = 1 \text{ FT (0.3m)}$

$V_3 = 1.5 \text{ FT (0.5m)}$

$V_T = V_1 + V_2 + V_3 = 2\text{FT (0.6m)} + 1\text{FT (0.3m)} + 1.5\text{FT (0.5m)} = 4.5\text{FT (1.4m)}$

$H_1 = 6 \text{ FT (1.8m)}$

$H_2 = 2 \text{ FT (0.6m)}$

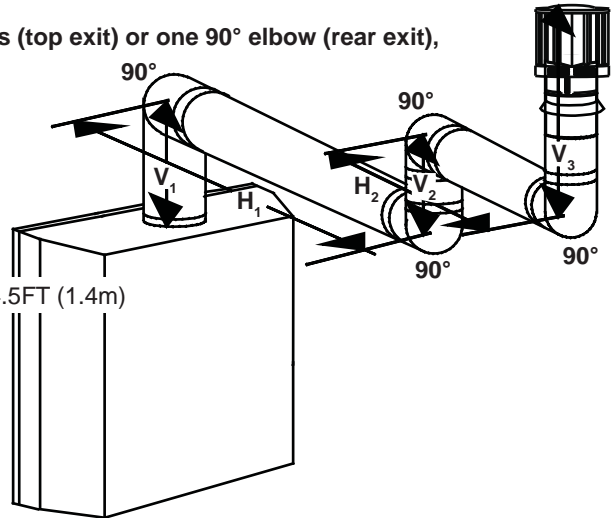
$H_R = H_1 + H_2 = 6\text{FT (1.8m)} + 2\text{FT (0.6m)} = 8\text{FT (2.4m)}$

$H_O = .03 \text{ (four } 90^\circ \text{ elbows} - 90^\circ)$

$= .03 \text{ (} 360^\circ - 90^\circ) = 8.1 \text{ FT (2.5m)}$

$H_T = H_R + H_O = 8\text{FT (2.4m)} + 8.1\text{FT (2.5m)} = 16.1\text{FT (4.9m)}$

$H_T + V_T = 16.1\text{FT (4.9m)} + 4.5\text{FT (1.4m)} = 20.6\text{FT (6.3m)}$



Formula 1:

$H_T \leq 3.5 V_T$

$3.5 V_T = 3\text{FT (0.9m)} \times 4.5\text{FT (1.4m)} = 13.5\text{FT (4.1m)}$

$16.1\text{FT (4.9m)} \leq 13.5\text{FT (4.1m)}$

Since this formula is not met, this vent configuration is unacceptable.

Formula 2:

$H_T + V_T \leq 35 \text{ FT (10.7m)}$

$20.6\text{FT (6.3m)} \leq 35\text{FT (10.7m)}$

Since only formula 2 is met, this vent configuration is unacceptable and a new fireplace location or vent configuration will need to be established to satisfy both formulas.

18.4_2B

Example:

$$V_1 = 1.5 \text{ FT (0.5m)}$$

$$V_2 = 5 \text{ FT (1.5m)}$$

$$V_T = V_1 + V_2 = 1.5\text{FT (0.5m)} + 5\text{FT (1.5m)} = 6.5 \text{ FT (2m)}$$

$$H_1 = 1 \text{ FT (0.3m)}$$

$$H_2 = 1 \text{ FT (0.3m)}$$

$$H_3 = 10.75 \text{ FT (3.3m)}$$

$$H_R = H_1 + H_2 + H_3 = 1\text{FT (0.3m)} + 1\text{FT (0.3m)} + 10.75\text{FT (3.3m)} = 12.75 \text{ FT (3.9m)}$$

$$H_O = .03 \text{ (four } 90^\circ \text{ elbows + one } 45^\circ \text{ elbow - } 90^\circ)$$

$$= .03 (360^\circ + 45^\circ - 90^\circ) = 6.75 \text{ FT (2.1m)}$$

$$H_T = H_R + H_O = 12.75\text{FT (3.9m)} + 6.75 \text{ FT (2.1m)} = 19.5 \text{ FT (5.9m)}$$

$$H_T + V_T = 19.5\text{FT (5.9m)} + 6.5\text{FT (2m)} = 26\text{FT (7.6m)}$$

Formula 1:

$$H_T \leq 3 V_T$$

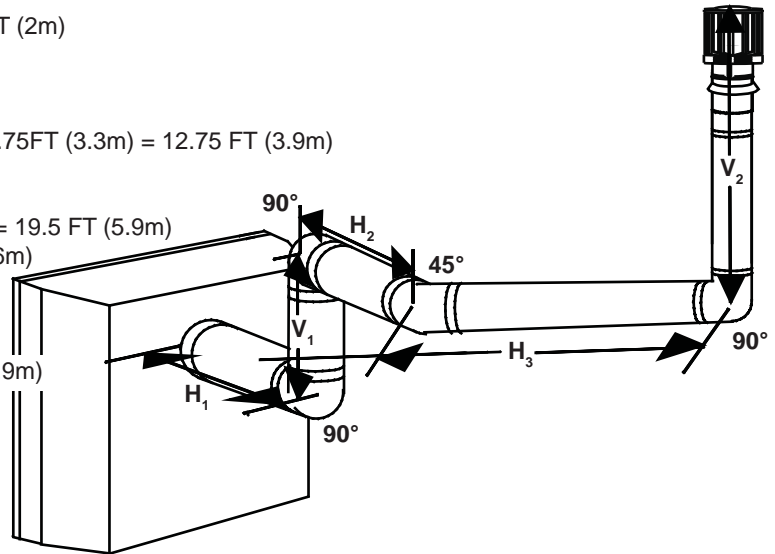
$$3 V_T = 3\text{FT (0.9m)} \times 6.5\text{FT (2m)} = 19.5\text{FT (5.9m)}$$

$$19.5\text{FT (5.9m)} = 19.5\text{FT (5.9m)}$$

Formula 2:

$$H_T + V_T \leq 35 \text{ FT (10.7m)}$$

$$26\text{FT (7.9m)} \leq 35\text{FT (10.7m)}$$



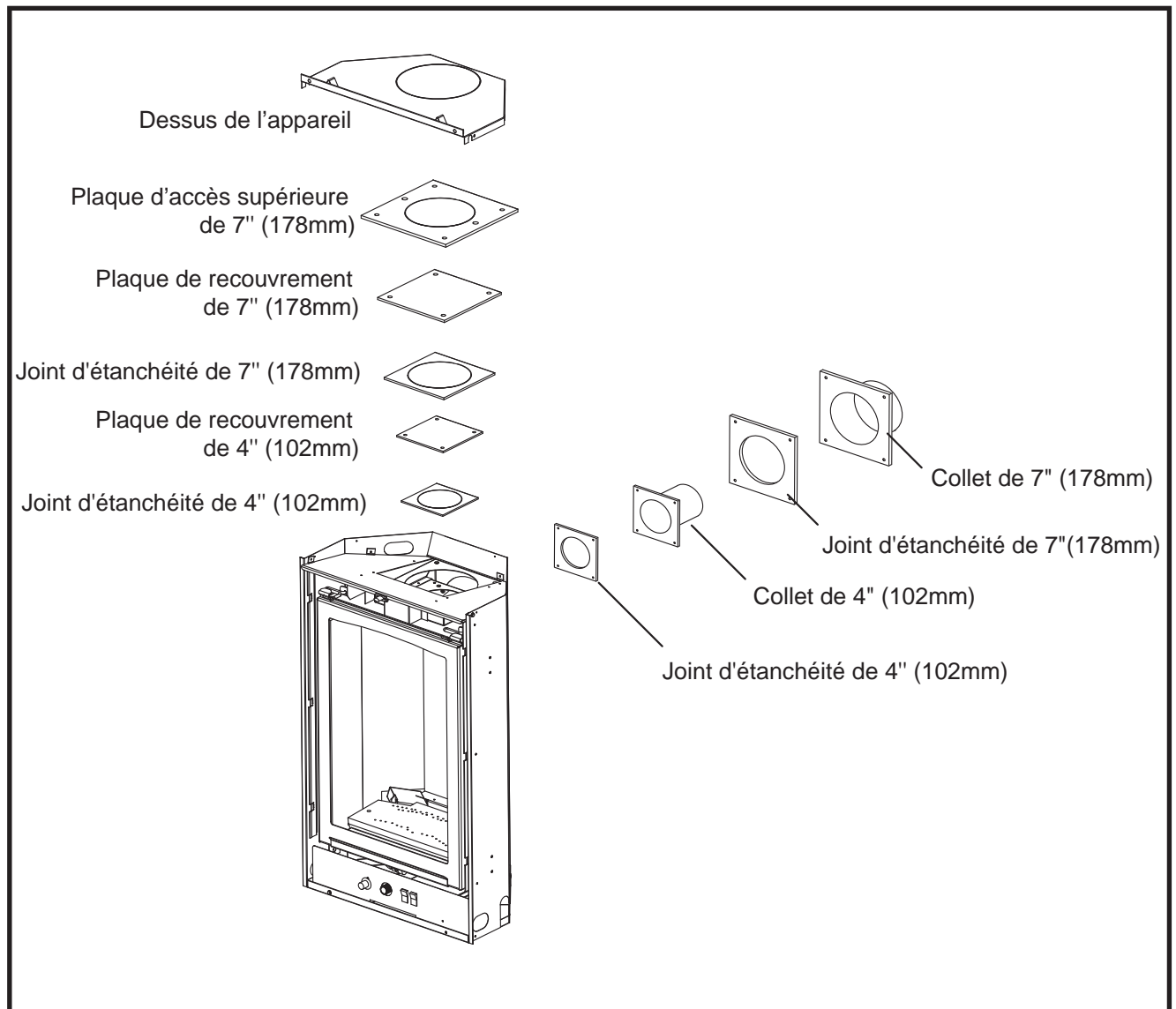
Since both formulas are met, this vent configuration is acceptable.

18.4_3A

3.11 CONVERSION EN ÉVACUATION À L'ARRIÈRE

Afin de convertir le système d'évent à **évacuation sur le dessus** en **évacuation à l'arrière**, retirez les composants tel qu'illustré :

Lors de la réinstallation à la position alternative : Inspectez les joints d'étanchéité pour des déchirures, remplacez-les si nécessaire pour assurer une bonne étanchéité.



4.0 INSTALLATION

FR

! AVERTISSEMENT

AVANT D'EFFECTUER LES BRANCHEMENTS POUR L'ALIMENTATION EN GAZ ET ÉLECTRIQUE, ASSUREZ-VOUS DE RETIRER TOUTE COMPOSANTE NON FIXÉE À L'INTÉRIEUR DE LA CHAMBRE DE COMBUSTION.

SI VOTRE APPAREIL COMPREND UN SYSTÈME DE TÉLÉCOMMANDE, ASSUREZ-VOUS QUE LE RÉCEPTEUR EST À LA POSITION « OFF » AVANT D'EFFECTUER LES BRANCHEMENTS POUR L'ALIMENTATION EN GAZ ET ÉLECTRIQUE.

AFIN D'ASSURER UN FONCTIONNEMENT SÉCURITAIRE ET ADÉQUAT DE L'APPAREIL, VOUS DEVEZ OBSERVER LES INSTRUCTIONS D'ÉVACUATION À LA LETTRE.

TOUS LES JOINTS DES CONDUITS INTÉRIEURS ET EXTÉRIEURS PEUVENT ÊTRE SCELLÉS AVEC DU SCELLANT DE SILICONE ROUGE À HAUTE TEMPÉRATURE RTV W573-0002 (NON FOURNI) OU DU SCELLANT NOIR À HAUTE TEMPÉRATURE MILL PAC W573-0007 (NON FOURNI) À L'EXCEPTION DU RACCORDEMENT DU CONDUIT D'ÉVACUATION À LA BUSE DE L'APPAREIL QUI DOIT ÊTRE SCELLÉ AVEC LE SCELLANT MILL PAC.

SI VOUS UTILISEZ DES COLLIERS POUR TUYAU POUR RACCORDER LES COMPOSANTS D'ÉVACUATION, VOUS DEVEZ AUSSI INSTALLER TROIS VIS POUR VOUS ASSURER QUE LE RACCORDEMENT NE SE DÉFASSE PAS.

NE SERREZ PAS LA GAINÉ FLEXIBLE.

RISQUE D'INCENDIE, D'EXPLOSION OU D'ASPHYXIE. SI L'ENSEMBLE DU SYSTÈME DE CONDUIT D'ÉVENT N'EST PAS ADÉQUATEMENT SOUTENU, IL RISQUE DE FLÉCHIR OU DE SE SÉPARER. UTILISEZ DES SUPPORTS DE CONDUIT ET RACCORDEZ LES SECTIONS DE CONDUITS SELON LES INSTRUCTIONS D'INSTALLATION.

RISQUE D'INCENDIE. ÉVITEZ QUE L'ISOLANT TOUCHE AU CONDUIT D'ÉVACUATION. RETIREZ L'ISOLANT POUR PERMETTRE L'INSTALLATION DE L'ÉCRAN PROTECTEUR DU GRENIER ET POUR MAINTENIR LES DÉGAGEMENTS AUX MATÉRIAUX COMBUSTIBLES.

68.2B

4.1 PROTECTION DU MUR ET DU PLAFOND

! AVERTISSEMENT

NE REMPLISSEZ L'ESPACE ENTRE LE CONDUIT D'ÉVENT ET LA CHARPENTE AVEC AUCUN TYPE DE MATÉRIAU. NE BOURREZ PAS D'ISOLANT NI DE MATÉRIAUX COMBUSTIBLES ENTRE LES ESPACEURS COUPE-FEU DU PLAFOND. CONSERVEZ TOUJOURS LES DÉGAGEMENTS REQUIS AUTOUR DES CONDUITS D'ÉVENT ET L'ASSEMBLAGE DE L'ESPACEUR COUPE-FEU. INSTALLEZ LES ÉCRANS MURAUX ET LES ESPACEURS COUPE-FEU TEL QUE SPÉCIFIÉ. SI VOUS NE GARDEZ PAS L'ISOLANT OU TOUT AUTRE MATÉRIAU À L'ÉCART DU CONDUIT D'ÉVENT, UN RISQUE D'INCENDIE POURRAIT S'ENSUIVRE.

70.1

Pour les dégagements du conduit d'évent aux matériaux combustibles, voir la section « OSSATURE ».

Pour une performance optimale, toutes les courses horizontales devraient avoir une élévation de 1" (25mm) par pied lorsque vous utilisez des composants rigides ou flexibles Simpson Dura-Vent, Selkirk Direct Temp, American Metal Amerivent ou Wolf Steel.

4.1.1 INSTALLATION HORIZONTALE

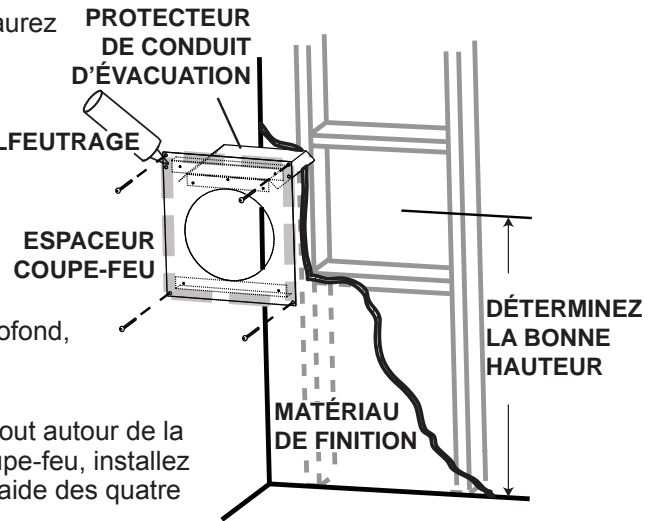
! AVERTISSEMENT

**L'ESPACEUR COUPE-FEU DOIT ÊTRE INSTALLÉ AVEC L'ÉCRAN PROTECTEUR ORIENTÉ VERS LE HAUT.
LA TERMINAISON NE DOIT PAS ÊTRE ENCHÂSSÉE DANS LE MUR OU LE REVÊTEMENT EXTÉRIEUR
PLUS QUE L'ÉPAISSEUR DE LA BRIDE DE LA PLAQUE DE MONTAGE.**

Cette configuration s'applique lorsque le conduit d'évent traverse un mur extérieur. Une fois que vous aurez déterminé la hauteur exacte pour l'emplacement de la terminaison, découpez et charpentez une ouverture dans le mur extérieur (comme illustré) pour permettre l'installation de l'espaceur coupe-feu. Avant de continuer, placez l'espaceur coupe-feu dans l'ouverture pour vous assurer que les supports sur la surface arrière soient placés contre la face intérieure de la pièce de charpente horizontale.

L'écran protecteur peut-être taillé pour des murs combustibles qui ont moins de 8 1/2" (215,9mm) de profond, mais doit se prolonger sur toute la profondeur du mur combustible.

- A. Appliquez un joint de calfeutrage (non fourni) tout autour de la bordure de la face intérieure de l'espaceur coupe-feu, installez l'espaceur coupe-feu contre le trou et fixez à l'aide des quatre vis (fournies dans le sac de votre manuel).
- B. Une fois que le conduit d'évent est en place, appliquez du scellant à haute température W573-0007 (non fourni) entre le conduit d'évent et l'espaceur coupe-feu.



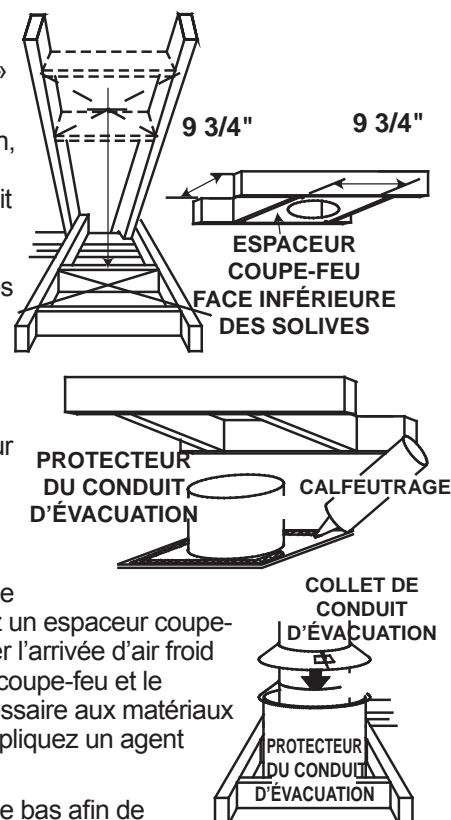
FR

20.2A

4.1.2 INSTALLATION VERTICALE

Cette configuration s'applique lorsque l'évacuation se fait à travers un toit. Des ensembles d'installation pour les différentes pentes de toit sont disponibles chez votre détaillant autorisé. Voir la section « Accessoires » pour commander l'ensemble spécifique dont vous avez besoin.

- A.** Une fois que vous aurez déterminé l'emplacement de la terminaison, découpez et charpentez une ouverture dans le plafond et le toit pour laisser le dégagement minimal de 1" (25,4mm) entre le conduit d'évent et tout matériau combustible. Essayez de positionner le conduit d'évent à mi-chemin entre deux solives pour ne pas être obligé de les couper. Utilisez du fil à plomb pour aligner le centre des ouvertures. Un protecteur de conduit d'évacuation empêchera tout matériau, tel que l'isolant, de remplir l'espace vide de 1" (25,4mm) autour de l'évent. Fixez des entretoises entre les solives pour assurer un support additionnel.
- B.** Appliquez un joint de calfeutrage (non fourni) sur la charpente ou sur le protecteur de conduit d'évacuation Wolf Steel ou l'équivalent (dans le cas d'un plafond fini) et fixez le protecteur de conduit d'évacuation de façon à recouvrir l'ouverture dans le plafond. Un espaceur coupe-feu doit être fixé à la base de chaque ouverture charpentée dans un toit ou un plafond par lequel traverse le système d'évacuation. Appliquez un joint de calfeutrage tout autour et placez un espaceur coupe-feu par-dessus le protecteur de conduit d'évacuation pour empêcher l'arrivée d'air froid dans la pièce ou autour de l'appareil. Assurez-vous que l'espaceur coupe-feu et le protecteur de conduit d'évacuation conservent le dégagement nécessaire aux matériaux combustibles. Une fois que le conduit d'évacuation est en place, appliquez un agent d'étanchéité entre le conduit d'évacuation et l'espaceur coupe-feu.
- C.** Dans le grenier, faites glisser le collet de conduit d'évacuation vers le bas afin de recouvrir l'extrémité ouverte du protecteur de conduit d'évacuation et serrez. Ceci empêchera tout matériau, tel que l'isolant, de remplir l'espace vide de 1 po (25,4mm) autour de l'évent.



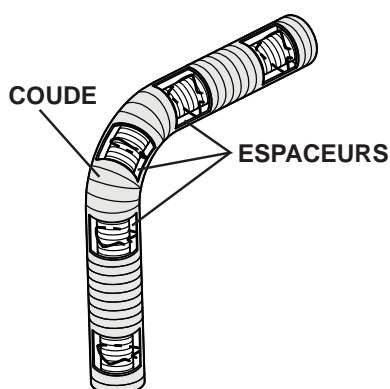
21.1A

4.2 UTILISATION DE COMPOSANTS FLEXIBLES D'ÉVACUATION

! AVERTISSEMENT

NE LAISSEZ PAS LA GAINÉ FLEXIBLE SE TASSER CONTRE LES COURSES HORIZONTALES OU VERTICALES ET LES COUDES. GARDEZ-LA TENDUE.

DES ESPACEURS SONT FIXÉS À LA GAINÉ FLEXIBLE À INTERVALLES PRÉDÉTERMINÉS AFIN DE GARDER UN ESPACE VIDE AVEC LE CONDUIT EXTÉRIEUR. POUR QUE LE FONCTIONNEMENT SOIT SÉCURITAIRE, UN ESPACE VIDE EST REQUIS. UN ESPACEUR EST REQUIS AU DÉBUT, AU MILIEU ET À LA FIN DE CHAQUE COUDE AFIN DE MAINTENIR CET ESPACE VIDE. N'ENLEVEZ PAS CES ESPACEURS.



Afin d'assurer une opération sécuritaire et adéquate de l'appareil, vous devez observer les instructions d'évacuation à la lettre.

Tous les joints des conduits flexibles intérieurs et extérieurs peuvent être scellés avec le scellant à haute température W573-0002 (non fourni) ou du scellant à haute température Mill Pac W573-0007 (non fourni). Cependant, le raccordement du conduit flexible intérieur à la buse de l'appareil doit être scellé avec le scellant Mill Pac W573-0007 (non fourni).

N'utilisez que les ensembles certifiés de gaines flexibles portant l'inscription :

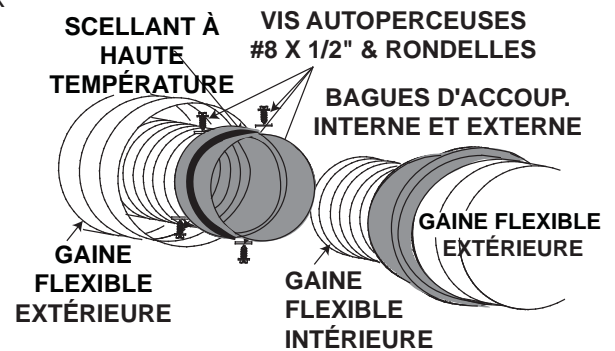
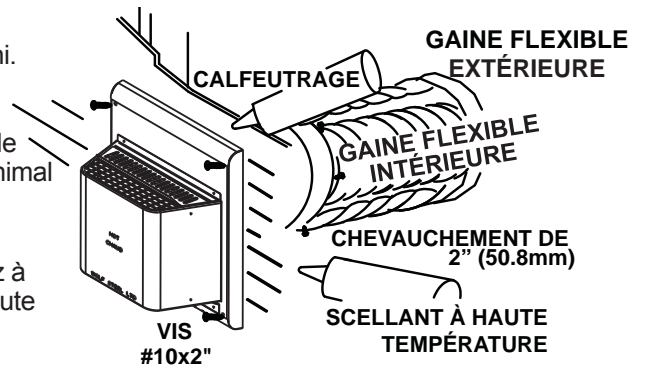


« Wolf Steel Approved Venting » comme identifié par la gaine flexible extérieure.

22.1

4.2.1 INSTALLATION DE LA TERMINAISON HORIZONTALE

- A.** Étirez la gaine flexible intérieure à la longueur requise en tenant compte de la longueur additionnelle nécessaire pour la surface du mur fini. Appliquez un généreux joint de scellant à haute température W573-0007 Mill Pac (non fourni). Glissez la gaine flexible sur le manchon intérieur de la terminaison en assurant un chevauchement minimal de 2" (50.8mm) et fixez à l'aide de trois vis #8.
- B.** Installez la gaine flexible extérieure en la glissant sur le manchon extérieur de la terminaison et fixez à l'aide de trois vis #8. Scellez avec du scellant à haute température W573-0002 (non fourni).
- C.** Insérez les gaines dans le coupe-feu tout en conservant le dégagement nécessaire aux matériaux combustibles. En soutenant la terminaison (les inscriptions étant à l'endroit et lisibles), fixez la terminaison au mur extérieur et rendez-la étanche en la scellant avec du calfeutrage (non fourni).
- D.** Si plus de sections de gaine doivent être utilisées pour atteindre l'appareil, raccordez-les ensemble tel qu'illustré. Le système d'évacuation doit être soutenu à environ tous les 3 pieds (0.9m) pour les courses verticales et horizontales. Utilisez des supports incombustibles afin de maintenir le dégagement minimal aux matériaux combustibles.



Les terminaisons ne doivent pas être enchâssées dans un mur ou un revêtement extérieur plus que l'épaisseur de la bride de la plaque de montage.

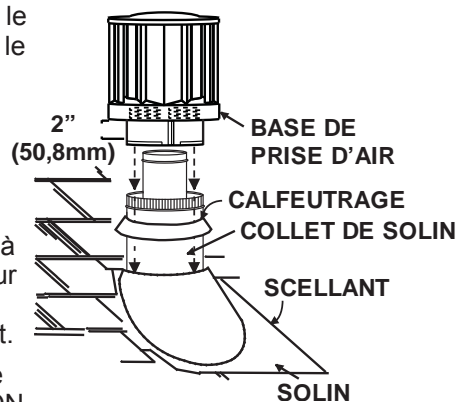
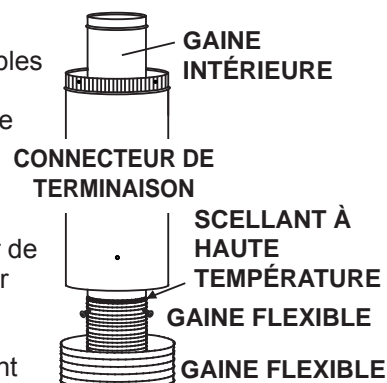
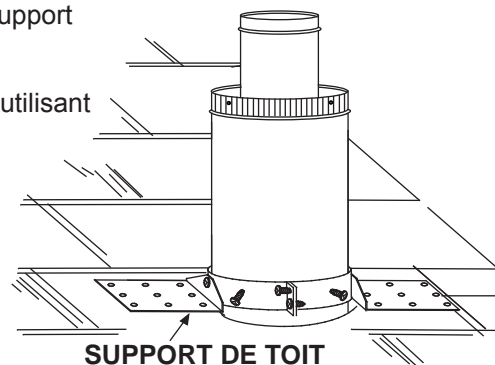
23.1B

4.2.2 INSTALLATION DE LA TERMINAISON VERTICALE

! AVERTISSEMENT

CONSERVEZ UN ESPACE MINIMAL DE 2" (50,8mm) ENTRE LA BASE DE LA PRISE D'AIR ET LE COLLET DE SOLIN.

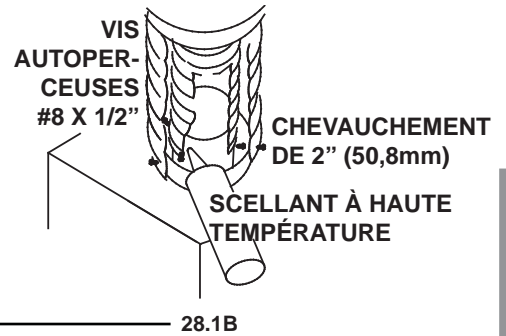
- A.** Fixez le support de toit au toit à l'aide des vis fournies. Le support de toit est optionnel. Dans ce cas, l'évent doit être supporté adéquatement soit en utilisant une méthode alternative se conformant aux normes des autorités compétentes, soit en utilisant le support de toit optionnel.
- B.** Étirez la gaine flexible intérieure à la longueur requise. Glissez la gaine flexible intérieure sur le manchon intérieur du connecteur de terminaison en assurant un chevauchement minimal de 2" (50,8mm) et fixez à l'aide de trois vis #8. Scellez en appliquant un généreux joint de scellant à haute température W573-0007 (non fourni).
- C.** Installez la gaine flexible extérieure de la même façon et scellez en appliquant un généreux joint de scellant à haute température W573-0002 (non fourni).
- D.** Faites passer le montage du connecteur de terminaison/gaines flexibles à travers le toit. La terminaison doit être verticale et d'aplomb. Fixez le connecteur de terminaison au support de toit en vous assurant que le dessus de la terminaison excède le côté le plus élevé du toit d'au moins 16" (406,4mm) une fois fixée.
- E.** Enlevez les clous des bardeaux sur le dessus et les côtés du connecteur de terminaison. Placez le solin par-dessus le connecteur de terminaison en laissant un minimum de 3/4" (19,1mm) de connecteur de terminaison visible au-dessus du haut du solin. Glissez le solin sous les côtés et le bord supérieur des bardeaux. Assurez-vous que le connecteur de terminaison est bien centré dans le solin, en laissant une marge de 3/4" (19,1mm) tout autour. Fixez-le au toit. Ne clouez pas à travers la partie inférieure du solin. Imperméabilisez-le en le scellant avec du calfeutrage. Si possible, recouvrez les côtés et le bord supérieur du solin avec des matériaux de couverture.
- F.** Alignez les joints de la terminaison et du connecteur de terminaison et placez la terminaison par-dessus le connecteur de terminaison en vous assurant que le manchon pénètre dans le trou de la terminaison. Fixez à l'aide des trois vis fournies.
- G.** Appliquez un généreux joint de calfeutrage à l'épreuve de l'eau à 2" (50,8mm) au-dessus du solin. Installez le collet de solin autour de la terminaison et glissez-le jusqu'à la ligne de calfeutrage. Serrez afin d'assurer l'étanchéité entre la terminaison et le collet.
- H.** Si plus de sections de gaine doivent être utilisées pour atteindre l'appareil, voir la section « INSTALLATION DE LA TERMINAISON HORIZONTALE ».



24.1A

4.2.3 RACCORDEMENT DES ÉVENTS À L'APPAREIL

- A.** Raccordez la gaine flexible de 8" (203,2mm) de diamètre à l'appareil. Fixez-la à l'aide de trois vis et de trois rondelles. Scellez le joint et les têtes de vis avec le scellant à haute température W573-0007 (non fourni).
- B.** Raccordez la gaine flexible à l'appareil. Fixez et scellez les joints avec le scellant à haute température Mill-Pac.



4.3 UTILISATION DE COMPOSANTS RIGIDES D'ÉVACUATION

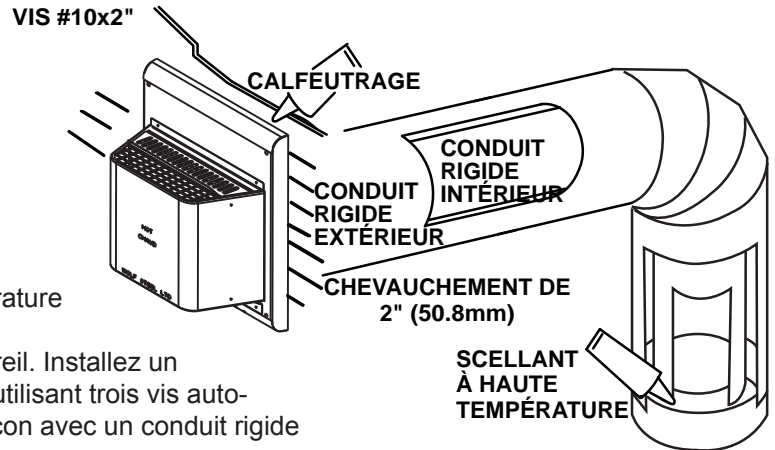
Le système d'évacuation doit être soutenu à peu près tous les 3 pieds (0.9m) de courses verticales et horizontales. Utilisez l'ensemble de support mural Wolf Steel ou des supports incombustibles équivalents afin de conserver le dégagement minimal aux matériaux combustibles pour les courses verticales et horizontales.

Tous les joints des conduits intérieurs et extérieurs peuvent être scellés avec du scellant de silicone rouge à haute température W573-0002 (non fourni) ou du scellant noir à haute température Mill Pac W573-0007 (non fourni) à l'exception du raccordement du conduit d'évacuation à la buse de l'appareil qui doit être scellé avec le scellant Mill Pac.

25.1A

4.3.1 INSTALLATION DE LA TERMINAISON HORIZONTALE

- A.** Mettez l'appareil en place. Mesurez la longueur d'évent requise entre la terminaison et l'appareil en tenant compte de la longueur additionnelle nécessaire pour la surface du mur fini et tout chevauchement de 1 ¼" (31.8mm) entre les composants d'évacuation.



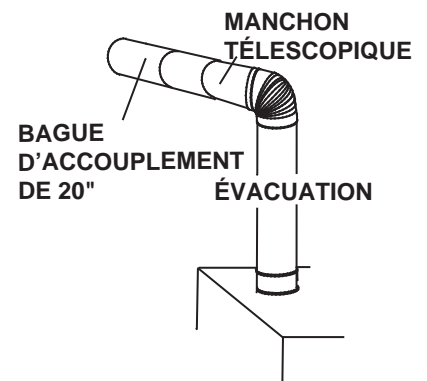
- B.** Appliquez du scellant à haute température W573-0007 (non fourni) sur le rebord extérieur du collet intérieur de l'appareil. Installez un conduit rigide intérieur et fixez-le en utilisant trois vis auto-perceuses. Procédez de la même façon avec un conduit rigide extérieur.
- C.** Insérez les événements dans le coupe-feu tout en conservant le dégagement nécessaire aux matériaux combustibles. En soutenant la terminaison (les inscriptions étant à l'endroit et lisibles), fixez-la au mur extérieur et rendez-la étanche en la scellant avec du calfeutrage (non fourni).

La plaque de montage de la terminaison ne doit pas être enchâssée dans un mur ou un parement à une profondeur excédant celle de la bride.

26.3A

4.3.2 INSTALLATION DE LA TERMINAISON HORIZONTALE PROLONGÉE AJUSTABLE

- A.** Suivez les instructions dans la section « INSTALLATION DE LA TERMINAISON HORIZONTALE ».
- B.** Continuez d'ajouter des composants en alternant les événements intérieurs et extérieurs. Assurez-vous que tous les événements et les coudes aient suffisamment d'espaceurs et que chaque composant est scellé et fixé solidement à celui qui le précède. Fixez le manchon télescopique à la course de l'évent. Répétez cette étape en utilisant un manchon télescopique. Fixez et scellez comme auparavant. Pour faciliter l'achèvement, fixez des bagues d'accouplement à la terminaison.
- C.** Installez la terminaison horizontale. Voir la section « INSTALLATION DE LA TERMINAISON HORIZONTALE ».



48.1A

4.3.3 INSTALLATION DE LA TERMINAISON VERTICALE

NOTE : Avant de fixer les coudes aux collets à l'arrière de l'appareil, enlevez 1 1/2" (38.1mm) au collet de 4" (101.6mm).

ÉVACUATION À L'ARRIÈRE : Raccordez les coudes de 4" (101.6mm) et 7" (177.8mm) à l'appareil et fixez-les à l'aide de trois vis. Scellez les joints et les têtes de vis avec du scellant à haute température. Passez ensuite à l'étape A ci-dessous.

ÉVACUATION SUR LE DESSUS :

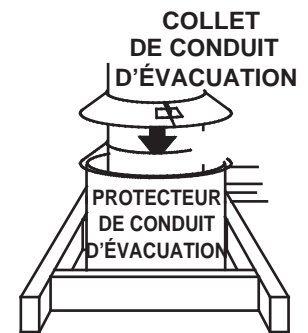
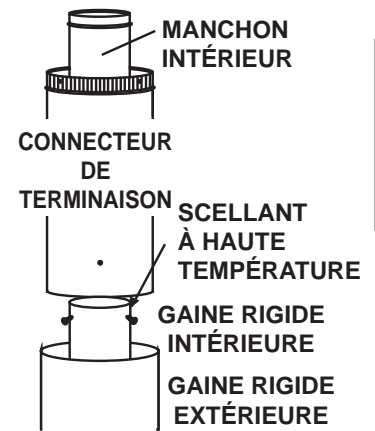
- A. Mettez l'appareil en place.
- B. Fixez le support de toit au toit à l'aide des vis fournies. Le support de toit est optionnel. Dans ce cas, les événements doivent être supportés adéquatement soit en utilisant une méthode alternative se conformant aux normes des autorités compétentes, soit en utilisant le support de toit optionnel.
- C. Appliquez du scellant à haute température W573-0007 (non fourni) sur le rebord extérieur du manchon intérieur de la terminaison. Glissez la bague d'accouplement sur au moins 2" (50.8mm) du manchon et fixez-la à l'aide de trois vis.
- D. Appliquez du scellant à haute température W573-0002 (non fourni) sur le rebord extérieur du manchon extérieur du connecteur de terminaison. Glissez la bague d'accouplement extérieure sur le manchon et fixez comme auparavant. Taillez la bague d'accouplement extérieure à égalité avec l'extrémité de la bague d'accouplement intérieure.
- E. Faites passer le montage du connecteur de terminaison/conduits d'évent à travers le support de toit. Fixez le montage de terminaison au support de toit en vous assurant que la section de terminaison excède le toit d'au moins 16" (406.4mm) une fois fixée. Si l'espace du grenier est restreint, nous recommandons de visser le collet de conduit d'évacuation Wolf Steel ou l'équivalent sans serrer sur le montage du connecteur de terminaison/conduits d'évent lorsqu'il est passé à travers le grenier. Le connecteur de terminaison doit être vertical et d'aplomb.
- F. Enlevez les clous des bardeaux sur le dessus et les côtés du connecteur de terminaison. Placez le solin par-dessus le connecteur de terminaison et glissez-le sous les côtés et le bord supérieur des bardeaux. Assurez-vous que le connecteur de terminaison est bien centré dans le solin, en laissant une marge de 3/4" (19.1mm) tout autour. Fixez-le au toit. **NE clouez PAS à travers la partie inférieure du solin.** Imperméabilisez-le en le scellant avec du calfeutrage. Si possible, recouvrez les côtés et le bord supérieur du solin avec des matériaux de couverture.
- G. Appliquez un généreux joint de calfeutrage à l'épreuve de l'eau à 2" (50.8mm) au-dessus du solin. Installez le collet de solin autour du connecteur de terminaison et glissez-le jusqu'à la ligne de calfeutrage. Serrez afin d'assurer l'étanchéité entre le connecteur de terminaison et le collet.
- H. Continuez d'ajouter des sections rigides d'évacuation, fixez et scellez comme ci-dessus. Installez le manchon télescopique intérieur à la dernière section du conduit rigide. Fixez-le avec des vis et scellez. Procédez de la même façon en utilisant le manchon télescopique extérieur.

ÉVACUATION À L'ARRIÈRE :

- I. Appliquez un joint de scellant à haute température W573-0007 (non fourni) sur le côté extérieur du coude intérieur. Glissez le manchon télescopique sur une longueur d'au moins 2" (50.8mm) par-dessus le coude. Fixez avec trois vis. Procédez de la même façon avec le manchon télescopique extérieur.

ÉVACUATION SUR LE DESSUS :

- J. Appliquez un joint de scellant à haute température W573-0007 (non fourni) sur le côté extérieur du collet intérieur de l'appareil. Glissez le manchon télescopique sur une longueur d'au moins 2" (50.8mm) par-dessus le collet. Fixez avec trois vis. Procédez de la même façon avec le manchon télescopique extérieur.
- K. Dans le grenier, faites glisser le collet de conduit d'évacuation vers le bas afin de recouvrir l'extrémité ouverte du protecteur de conduit d'évacuation et serrez. Ceci empêchera tout matériau, tel que l'isolant, de remplir l'espace vide de 1" (25.4mm) autour de l'évent.



FR

4.4 TERMINAISON VERTICALE À TRAVERS UNE CHEMINÉE EXISTANTE

! AVERTISSEMENT**RISQUE D'INCENDIE!**

LES CONFIGURATIONS D'ÉVACUATION COAXIALES À COLINÉAIRES NE DOIVENT ÊTRE UTILISÉES QUE DANS UNE CHEMINÉE OU UNE ENCEINTE DE NATURE INCOMBUSTIBLE. UNE INSTALLATION DANS UNE ENCEINTE COMBUSTIBLE PEUT CAUSER UN INCENDIE.

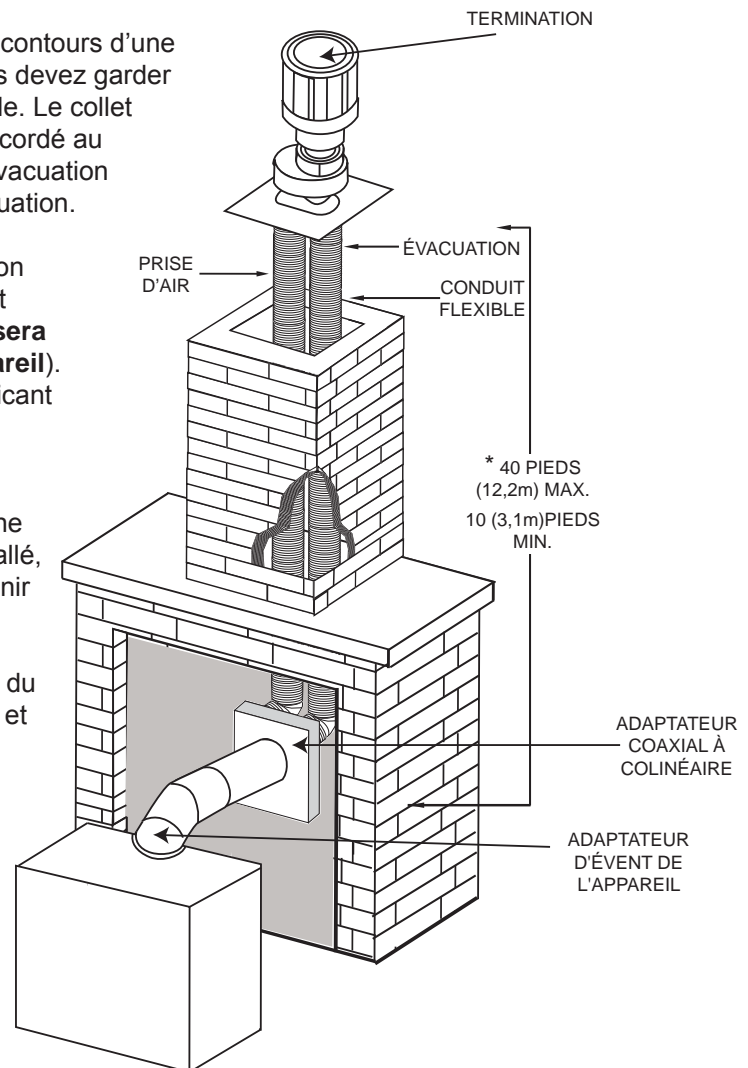
Cet appareil est conçu pour être raccordé à un système d'évent flexible colinéaire de 3" (76,2mm) en aluminium se prolongeant sur toute la longueur de la cheminée de maçonnerie.

Les conduits flexibles s'adaptent à tous les contours d'une cheminée de maçonnerie. Néanmoins, vous devez garder les conduits flexibles aussi droit que possible. Le collet de prise d'air de la terminaison doit être raccordé au conduit flexible de prise d'air et le collet d'évacuation de la terminaison au conduit flexible d'évacuation.

Les adaptateurs colinéaire à coaxial Simpson Duravent et Selkirk sont approuvés pour cet appareil (**NOTE : Un adaptateur d'évent sera nécessaire directement à partir de l'appareil**). Suivez les instructions d'installation du fabricant du système d'évacuation.

Des composants d'évacuation de différents fabricants ne doivent pas être combinés. Une fois que l'adaptateur de votre choix est installé, le reste du système d'évacuation doit provenir du même fabricant.

La seule exception à cette règle est l'usage du système de conduit flexible de 3" (76,2mm) et de terminaison colinéaire Wolf Steel.



* Mesurée à partir de la buse de l'appareil jusqu'au collet de la terminaison.

7.6A

4.5 INSTALLATION DANS UNE MAISON MOBILE

Cet appareil est certifié pour être installé comme équipement d'origine (OEM) dans une maison préfabriquée ou une maison mobile. Son installation doit être effectuée en respectant les directives du fabricant et le Manufactured Home Construction and Safety Standard, Title 24 CFR, Part 3280, aux États-Unis, ou les normes actuelles pour les maisons mobiles, CAN/CSA Z240 SÉRIE MH, au Canada. Cet appareil ne doit être utilisé qu'avec le type de gaz indiqué sur la plaque d'homologation. Un ensemble de conversion est fourni avec l'appareil pour maison mobile.

Cet appareil homologué pour les maisons mobiles et préfabriquées possède des éléments de fixation. L'appareil est muni de deux trous de $\frac{1}{4}$ " (6,4mm) de diamètre, situés aux coins avant, gauche et droit de la base. Lors d'une installation dans une maison mobile, l'appareil doit être fixé au plancher. Fixez à l'aide de vis #10 à tête hexagonale insérées dans les trous de la base. Éteignez toujours la veilleuse et l'alimentation en gaz à la source avant de déplacer la maison mobile. Après avoir déplacé la maison mobile et avant d'allumer l'appareil, assurez-vous que les bûches sont placées correctement.

Cet appareil est certifié pour être installé dans une maison mobile installée de façon permanente, sauf si les codes locaux l'interdisent. Cet appareil ne doit être utilisé qu'avec le type de gaz indiqué sur la plaque d'homologation. On ne peut utiliser cet appareil avec d'autres types de gaz, sauf si un ensemble de conversion certifié est utilisé.

Ensembles de conversion

L'appareil pour maison mobile peut être converti au gaz naturel (GN) ou au propane (PL). Pour effectuer une conversion, veuillez consulter votre détaillant autorisé.

29.1A

FR

4.6 BRANCHEMENT DU GAZ

! AVERTISSEMENT

RISQUE D'INCENDIE, D'EXPLOSION OU D'ASPHYXIE. ASSUREZ-VOUS QU'IL N'Y AIT AUCUNE SOURCE D'ALLUMAGE COMME DES ÉTINCELLES OU UNE FLAMME NUE.

SOUTENEZ LE CONTRÔLE DU GAZ LORSQUE VOUS ATTACHEZ LE TUYAU POUR ÉVITER DE PLIER LA CONDUITE DE GAZ.

ALLUMEZ TOUJOURS LA VILLEUSE, QUE CE SOIT POUR LA PREMIÈRE FOIS OU LORSQUE L'APPROVISIONNEMENT EN GAZ EST ÉPUISÉ, AVEC LA PORTE VITRÉE OUVERTE OU RETIRÉE. LA PURGE DOIT ÊTRE EFFECTUÉE PAR UN TECHNICIEN QUALIFIÉ. ASSUREZ-VOUS QUE L'ARRIVÉE DE GAZ AU BRÛLEUR EST CONTINUE AVANT DE FERMER LA PORTE. ASSUREZ-VOUS D'UNE VENTILATION ADÉQUATE. POUR LES EMPLACEMENTS DE L'ENTRÉE DU GAZ ET DE L'ENTRÉE ÉLECTRIQUE, VOIR LA SECTION « DIMENSIONS ».

LORSQUE LE BRANCHEMENT EST TERMINÉ, TOUS LES RACCORDS DE GAZ DOIVENT SE TROUVER À L'INTÉRIEUR DU FOYER.

LES PRESSIONS ÉLEVÉES ENDOMMAGERONT LA SOUPE. L'ALIMENTATION EN GAZ DOIT ÊTRE DÉBRANCHÉE PENDANT LES ESSAIS DE PRESSION DE CE SYSTÈME LORSQUE LES PRESSIONS D'ESSAI EXCÈDENT ½ LB/PO² (3,5 KPA).

LES RÉGLAGES DE LA SOUPE ONT ÉTÉ FAITS EN USINE; NE LES MODIFIEZ PAS.

L'installation et l'entretien doivent être effectués par un installateur qualifié.

- A. Mettez l'appareil en place et fixez-le.
- B. Si l'appareil est muni d'un raccord flexible, celui-ci est conçu pour recevoir une conduite de gaz de 1/2". Sans raccord flexible, l'appareil est conçu pour recevoir une conduite de gaz de 3/8". L'appareil est muni d'une soupape d'arrêt manuelle pour fermer l'alimentation en gaz.
- C. Branchez le gaz en conformité avec les codes locaux. En l'absence de codes locaux, l'installation doit être conforme au Code d'installation du gaz CAN/CSA-B149.1 dans sa version pour le Canada ou le National Fuel Gas Code, ANSI Z223.1 / NFPA 54 pour les États-Unis.
- D. Lorsque vous manipulez des conduites de gaz, soutenez la soupape de gaz pour éviter que les conduites ne se plient.
- E. Le raccord flexible de l'alimentation en gaz devrait être suffisamment mobile pour permettre de placer l'assemblage du brûleur sur le côté.
- F. Vérifiez pour des fuites de gaz en appliquant une solution d'eau savonneuse. **N'utilisez pas une flamme nue.**

30.1A

4.7 INTERRUPTEUR MURAL OPTIONNEL

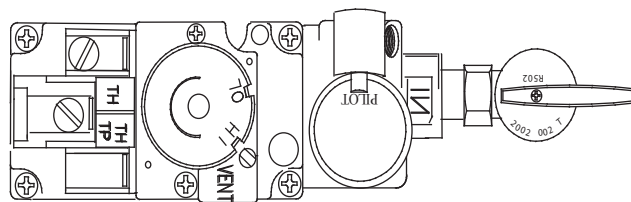
! AVERTISSEMENT

NE RACCORDEZ PAS L'INTERRUPTEUR MURAL, LE THERMOSTAT OU LA SOUPE DE GAZ À L'ALIMENTATION ÉLECTRIQUE DE 110 VOLTS.

Les interrupteurs du brûleur principal et de la lumière de veille sont situés derrière le panneau d'accès inférieur. Pour faciliter l'accès, des interrupteurs muraux optionnels pour le brûleur et la lumière de veille peuvent être installés dans un endroit pratique. La longueur maximale du fil dépend du calibre du fil :

DIAMÈTRE DU FIL	LONGUEUR MAX.
Calibre 14 (1,8mm)	100 pieds (30,5m)
Calibre 16 (1,5mm)	60 pieds (18,3m)
Calibre 18 (1,2mm)	40 pieds (12,2m)

Passez un fil à deux brins (noyau solide) à travers l'entrée électrique située du côté inférieur gauche de l'appareil. Raccordez les fils de l'interrupteur mural du brûleur aux deux cosses correspondantes à l'arrière de l'interrupteur marche/arrêt situés derrière le panneau d'accès inférieur. Procédez de la même façon pour brancher les fils à l'interrupteur marche/arrêt de la lumière de veille.



50.4A

5.0 OSSATURE

! AVERTISSEMENT
RISQUE D'INCENDIE!
AFIN D'ÉVITER LA POSSIBILITÉ QUE DE L'ISOLATION OU UN COUPE-VAPEUR ENTRENT EN CONTACT AVEC L'EXTÉRIEUR DU CAISSON, IL EST CONSEILLÉ D'INSTALLER L'APPAREIL CONTRE DES MURS FINIS (C.-À-D. PANNEAU DE GYPSE) COMME TOUT AUTRE MUR DE LA MAISON. CECI ASSURERA QUE LE DÉGAGEMENT AUX MATÉRIAUX COMBUSTIBLES EST MAINTENU.
NE FAITES PAS D'ENTAILLES À L'OSSATURE AUTOUR DES ESPACEURS. NE PAS MAINTENIR LES DÉGAGEMENTS PEUT CAUSER UNE SURCHAUFFE ET UN INCENDIE. EMPÊCHEZ TOUT CONTACT AVEC DE L'ISOLANT QUI S'AFFAISSE, AVEC L'OSSATURE OU AVEC TOUT AUTRE MATÉRIAU COMBUSTIBLE. BLOQUEZ L'ENTRÉE DE L'ENCEINTE POUR EMPÊCHER L'INFILTRATION D'ISOLANT SOUFLÉ. ASSUREZ-VOUS QUE L'ISOLATION ET LES AUTRES MATÉRIAUX SONT BIEN FIXÉS.
LORSQUE VOUS CONSTRUISEZ L'ENCEINTE, PRÉVOYEZ L'ÉPAISSEUR DES MATÉRIAUX DE FINITION POUR MAINTENIR LES DÉGAGEMENTS. SI L'OSSATURE OU LES MATÉRIAUX DE FINITION SE TROUVENT À UNE DISTANCE INFÉRIEURE À CELLE INDICÉE, ILS DOIVENT ÊTRE FAITS ENTIÈREMENT DE MATÉRIAUX NON COMBUSTIBLES. LES MATÉRIAUX FAITS ENTIÈREMENT D'ACIER, DE FER, DE BRIQUE, DE TUILE, DE BÉTON, D'ARDOISE, DE VERRE OU DE PLÂTRE, OU D'UNE COMBINAISON DE CES MATÉRIAUX, SONT APPROPRIÉS. LES MATÉRIAUX RÉPONDANT À LA NORME ASTM E 136, MÉTHODE DE TEST STANDARD DU COMPORTEMENT DES MATÉRIAUX DANS UNE FOURNAISE AVEC TUBE VERTICAL À 1382° F (750°C), ET À LA NORME UL763 SONT CONSIDÉRÉS COMME ÉTANT DES MATÉRIAUX NON COMBUSTIBLES.
AFIN D'ÉVITER UN RISQUE D'INCENDIE, LES DÉGAGEMENTS MINIMAUX AUX MATÉRIAUX COMBUSTIBLES DOIVENT ÊTRE MAINTENUS.
L'ENCEINTE DE L'APPAREIL DOIT RESPECTER LA HAUTEUR MINIMALE REQUISE. MESUREZ À PARTIR DE LA BASE DE L'APPAREIL.
SI DES ENSEMBLES DE MONTANTS EN ACIER AVEC PANNEAU DE CIMENT SONT FOURNIS, OU SPÉCIFIÉ DANS LES INSTRUCTIONS D'INSTALLATION, ILS DOIVENT ÊTRE INSTALLÉS.
LES MATÉRIAUX DE FINITION DOIVENT ÊTRE NON COMBUSTIBLES PLACER ÉCLAT AVEC LA FACE DE L'APPAREIL ÉTENDUE DU SOMMET DE L'APPAREIL COMME LE CONSEIL DE CIMENT, LE CARREAU EN CERAMIQUE, LE MARBRE, ETC. NE PAS UTILISÉ DES BÛCHES OU LE CLOISON SECHE. N'IMPORTE QUEL FEU A ÉVALUÉ DU CLOISON SÈCHE N'EST PAS ACCEPTABLE.

71.1B

Il est préférable de construire l'ossature après que l'appareil est en place et que le système d'évacuation est installé. Construisez conformément aux exigences des codes du bâtiment locaux.

Pour que le devant de l'appareil soit à égalité avec le mur fini, positionnez l'ossature de façon à prévoir l'épaisseur du mur fini.

Il n'est pas nécessaire d'installer une base de protection avec ce type d'appareil.

Lorsque vous mettez l'appareil en place, surélevez-le de façon à prévoir l'épaisseur du plancher fini, c.-à-d. tuiles, tapis ou bois franc, car s'ils n'ont pas été prévus, ils nuiront à l'ouverture de la porte d'accès inférieure et à l'installation de plusieurs ensembles de contours.

FR

Dégagements minimaux de l'appareil aux matériaux combustibles :**Ossature combustible :**

- 0" (0mm) aux espaceurs
- 1" (25mm) en dessous et sur les côtés du conduit d'évent*
- 2" (51mm) au-dessus du conduit d'évent*

Finition combustible :

- 0" (0mm) à l'arrière
- 0" (0mm) des côtés et du dessus en façade
- 13" (330mm) profondeur de l'enclave

Évacuation à l'arrière :

- 39 1/8" (994mm) du haut de l'enceinte jusqu'à la base de l'appareil
- 45 1/8" (1146mm) du plafond jusqu'à la base de l'appareil

Évacuation sur le dessus :

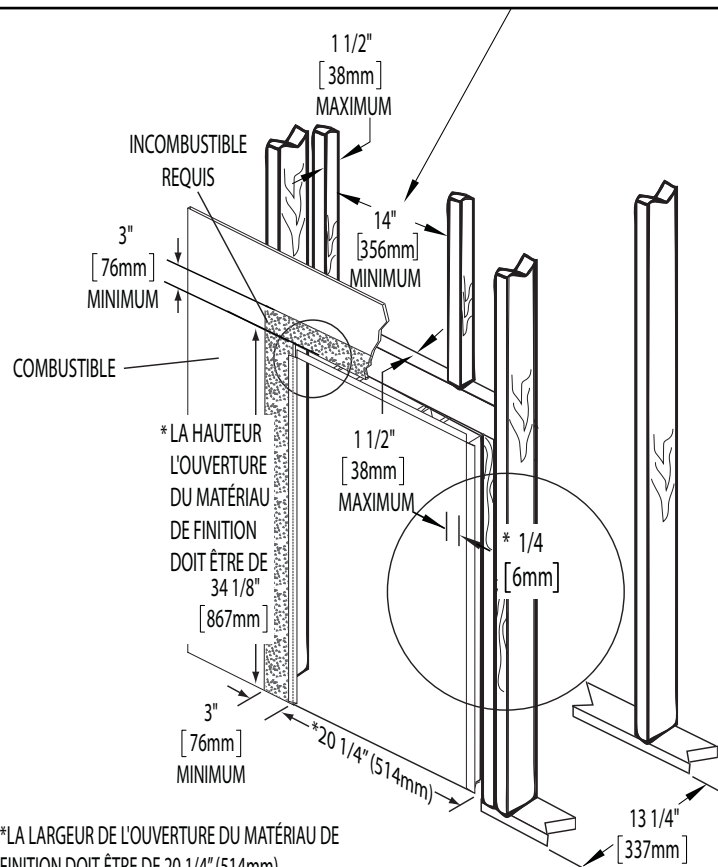
- 53 1/8" (1349mm) du haut de l'enceinte jusqu'à la base de l'appareil
- 53 1/8" (1349mm) du plafond jusqu'à la base de l'appareil

* **SECTIONS D'ÉVENTS HORIZONTALES** - Un dégagement minimal aux matériaux combustibles de 1" (25mm) en dessous et sur les côtés de l'évent et de 2" (51mm) au-dessus doit être maintenu sur toutes les courses horizontales à l'exception des dégagements à l'intérieur de l'enceinte de l'appareil. Voir la section « DÉGAGEMENTS MINIMAUX DE L'ENCEINTE ». Utilisez l'espaceur coupe-feu W010-1777 (fourni).

* **SECTIONS D'ÉVENTS VERTICALES** - Un dégagement minimal aux matériaux combustibles de 1" (25mm) est requis sur toutes les courses verticales. Utilisez l'espaceur coupe-feu W500-0096 (non fourni).

! AVERTISSEMENT

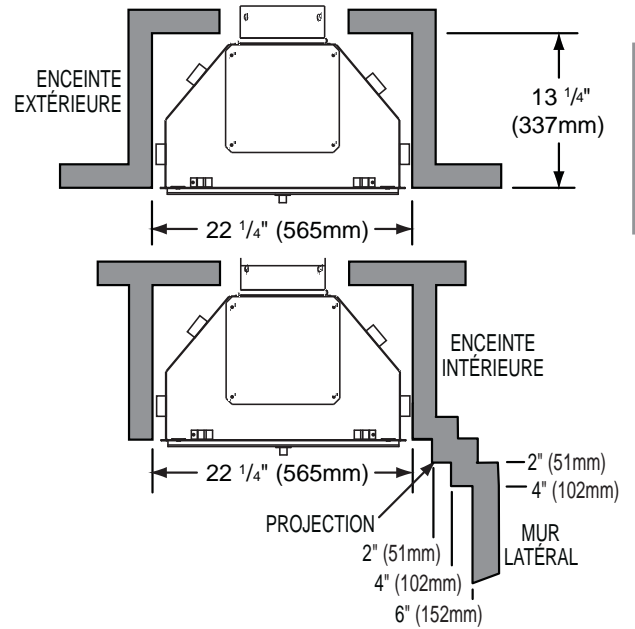
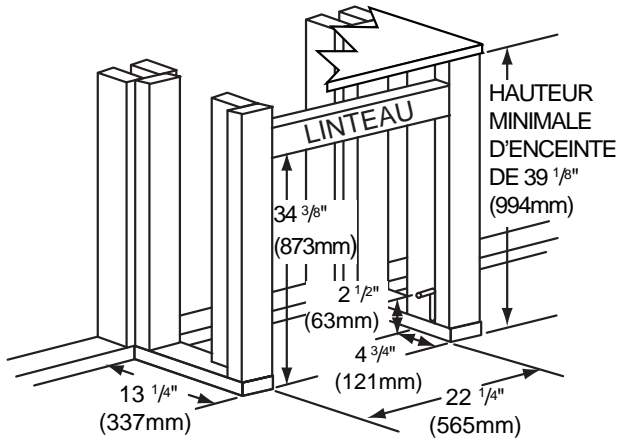
NE CONSTRUISEZ RIEN DANS CET ESPACE DE 14" (356 mm) DE LARGEUR, CENTRÉ LE LONG DE L'AVANT DE L'APPAREIL. CET ESPACE DOIT RESTER LIBRE AFIN D'OFFRIR UN DÉGAGEMENT ADÉQUAT POUR L'ÉVACUATION. AUCUN MATÉRIAU COMBUSTIBLE N'EST PERMIS.



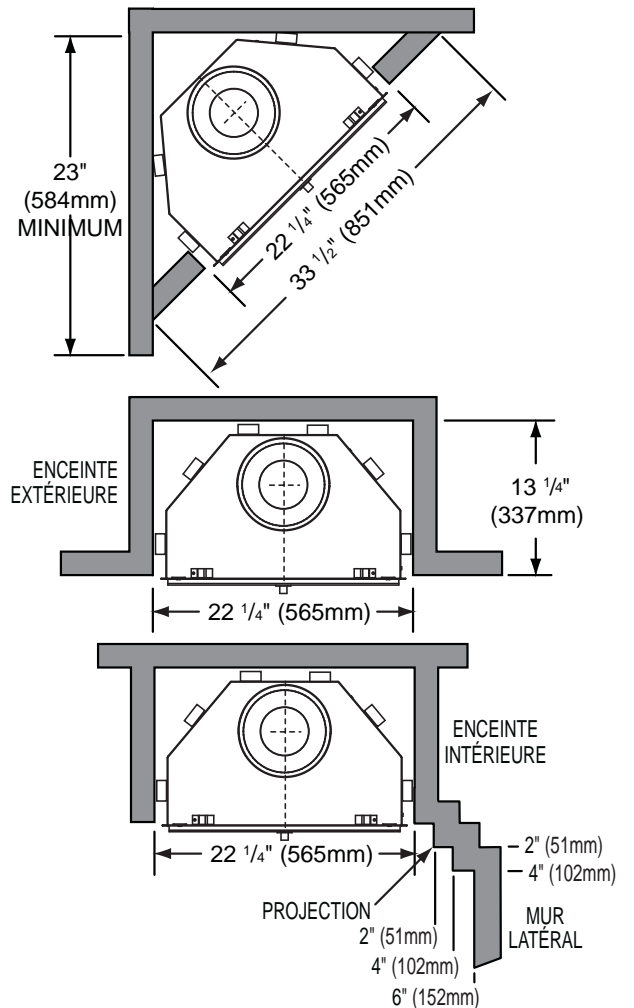
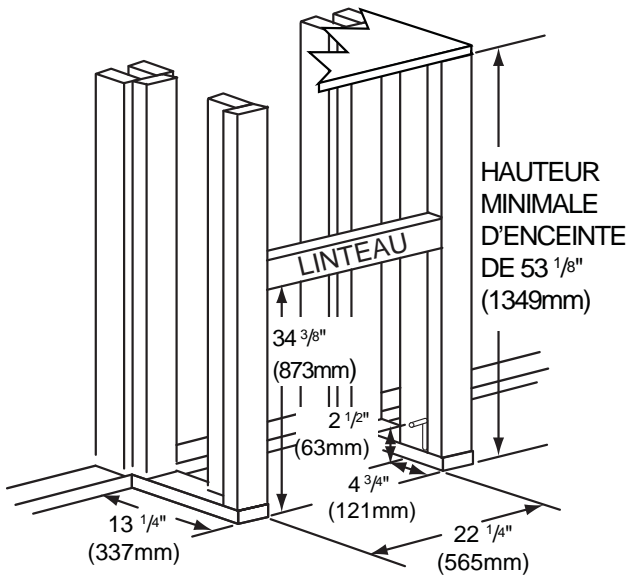
* LA HAUTEUR L'OUVERTURE DU MATÉRIAU DE FINITION DOIT ÊTRE DE 34 1/8" [867mm]

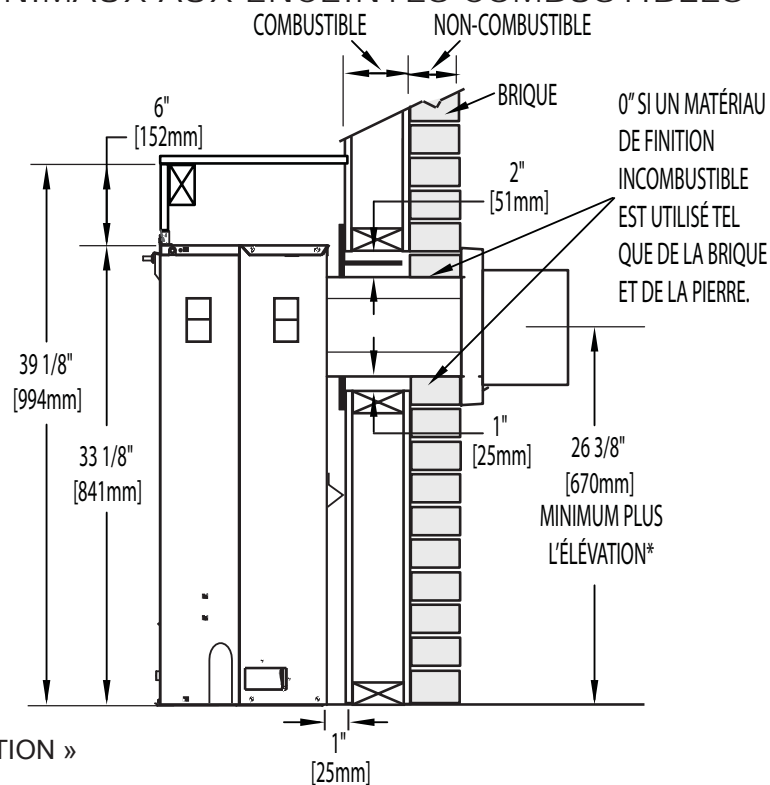
* LA LARGEUR DE L'OUVERTURE DU MATÉRIAU DE FINITION DOIT ÊTRE DE 20 1/4" (514mm).
NOTE: LES DIMENSIONS DOIVENT ÊTRE CONSERVÉES AFIN QUE LA FAÇADE PUISSE COUVRIR L'OUVERTURE.

5.1.1 ÉVACUATION À L'ARRIÈRE

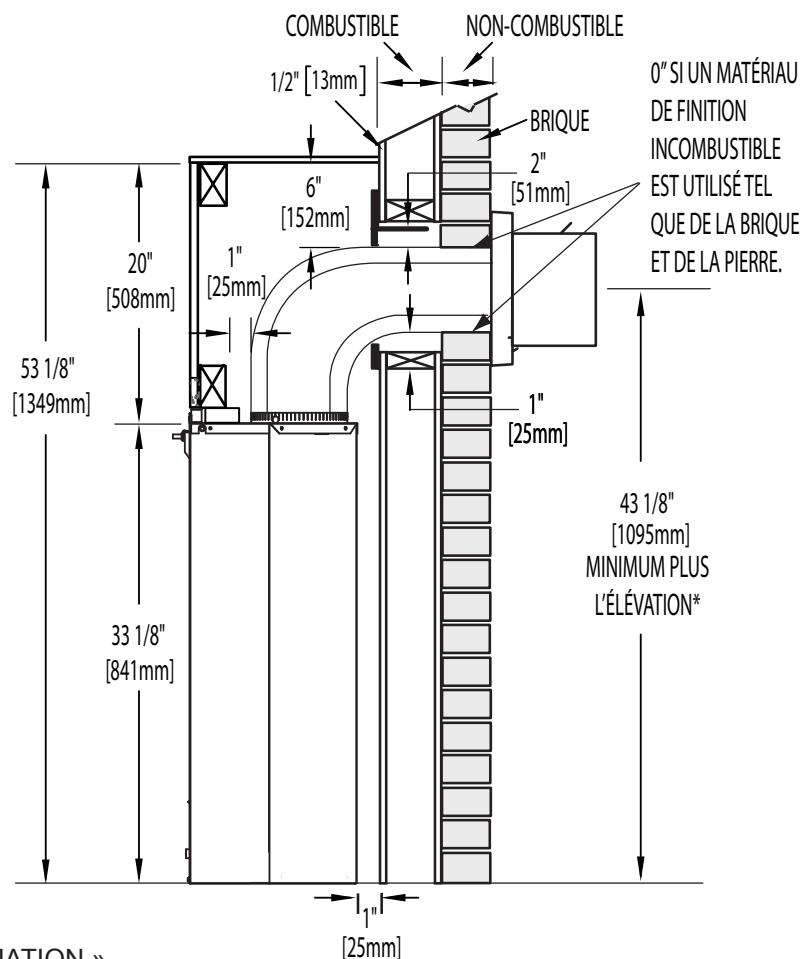


5.1.2 ÉVACUATION SUR LE DESSUS





* Voir la section « ÉVACUATION »



* Voir la section « ÉVACUATION »

L'enceinte de l'appareil doit avoir une hauteur minimale de 53 1/8" (1349mm) pour une évacuation sur le dessus et de 39 1/8" (841mm) pour une évacuation à l'arrière. Afin de respecter les contraintes de température, l'espace à l'intérieur de l'enceinte, autour de l'appareil et au-dessus, doit demeurer sans obstruction.

** Quand l'évacuation se termine à la verticale sur un appareil à évacuation sur le dessus, la hauteur de dégagement peut être réduite à 39 1/8" (841mm).

5.3 DÉGAGEMENTS MINIMAUX DE LA TABLETTE

! AVERTISSEMENT

RISQUE D'INCENDIE. CONSERVEZ TOUS LES DÉGAGEMENTS AUX MATÉRIAUX COMBUSTIBLES SPÉCIFIÉS. NE PAS RESPECTER CES INSTRUCTIONS PEUT CAUSER UN INCENDIE OU UNE SURCHAUFFE. ASSUREZ-VOUS QUE TOUS LES DÉGAGEMENTS (ARRIÈRE, CÔTÉS, DESSUS, ÉVENTS, TABLETTE, FAÇADE, ETC.) SONT RESPECTÉS À LA LETTRE.

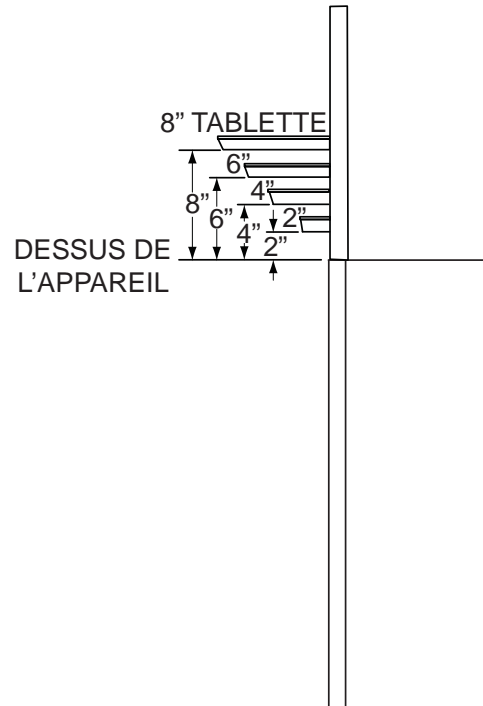
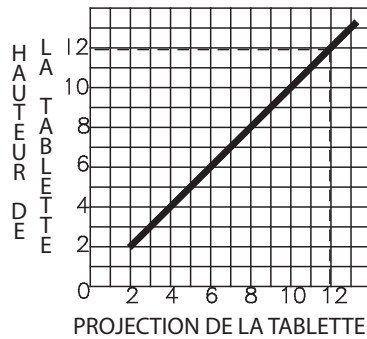
LORSQUE VOUS UTILISEZ DE LA PEINTURE OU DU VERNIS COMME FINITION POUR VOTRE TABLETTE, ASSUREZ-VOUS QU'ILS SOIENT RÉSISTANTS À LA CHALEUR AFIN DE PRÉVENIR LA DÉCOLORATION.

73.1

FR

Le dégagement d'une tablette peut varier selon la profondeur de la tablette. Utilisez le graphique pour vous aider à déterminer le dégagement nécessaire.

Les matériaux combustibles peuvent être installés à égalité avec le devant de l'appareil, mais ils ne doivent recouvrir aucune surface peinte en noir du devant de l'appareil. Les matériaux incombustibles (briques, pierres, carreaux de céramique) peuvent empiéter sur la partie noire.



6.0 BRANCHEMENT ÉLECTRIQUE

! AVERTISSEMENT

N'UTILISEZ PAS CE FOYER SI UNE PARTIE QUELCONQUE A ÉTÉ SUBMERGÉE. CONTACTEZ IMMÉDIATEMENT UN TECHNICIEN DE SERVICE QUALIFIÉ POUR INSPECTER L'APPAREIL POUR DES DOMMAGES AU CIRCUIT ÉLECTRIQUE.

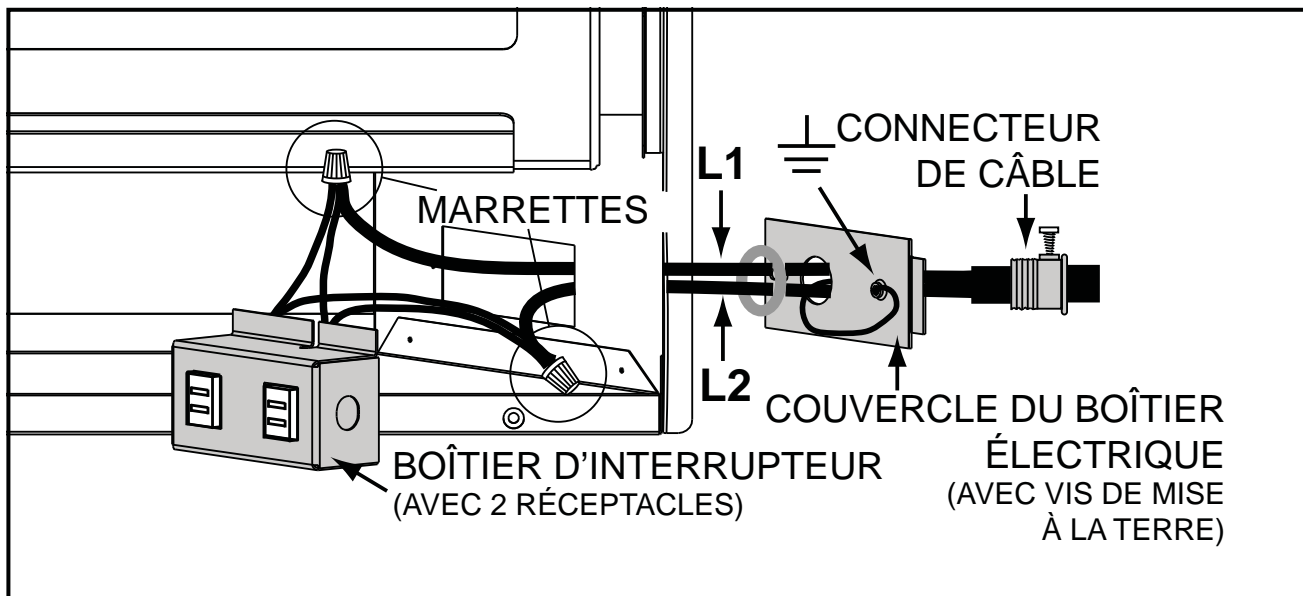
RISQUE DE CHOCS ÉLECTRIQUES OU D'EXPLOSION. NE BRANCHEZ PAS LE 110 V À LA SOUPAPE OU À L'INTERRUPTEUR MURAL DE L'APPAREIL. UN BRANCHEMENT ÉLECTRIQUE INCORRECT ENDOMMAGERA LES CONTRÔLES.

CET APPAREIL DOIT ÊTRE RACCORDÉ ÉLECTRIQUEMENT PAR UN ÉLECTRICIEN QUALIFIÉ CONFORMÉMENT AUX CODES LOCAUX. EN L'ABSENCE DE CODES LOCAUX, UTILISEZ LA VERSION COURANTE DU CODE CANADIEN DE L'ÉLECTRICITÉ CSA C22.1 AU CANADA OU LE NATIONAL ELECTRICAL CODE ANSI/NFPA 70 AUX ÉTATS-UNIS.

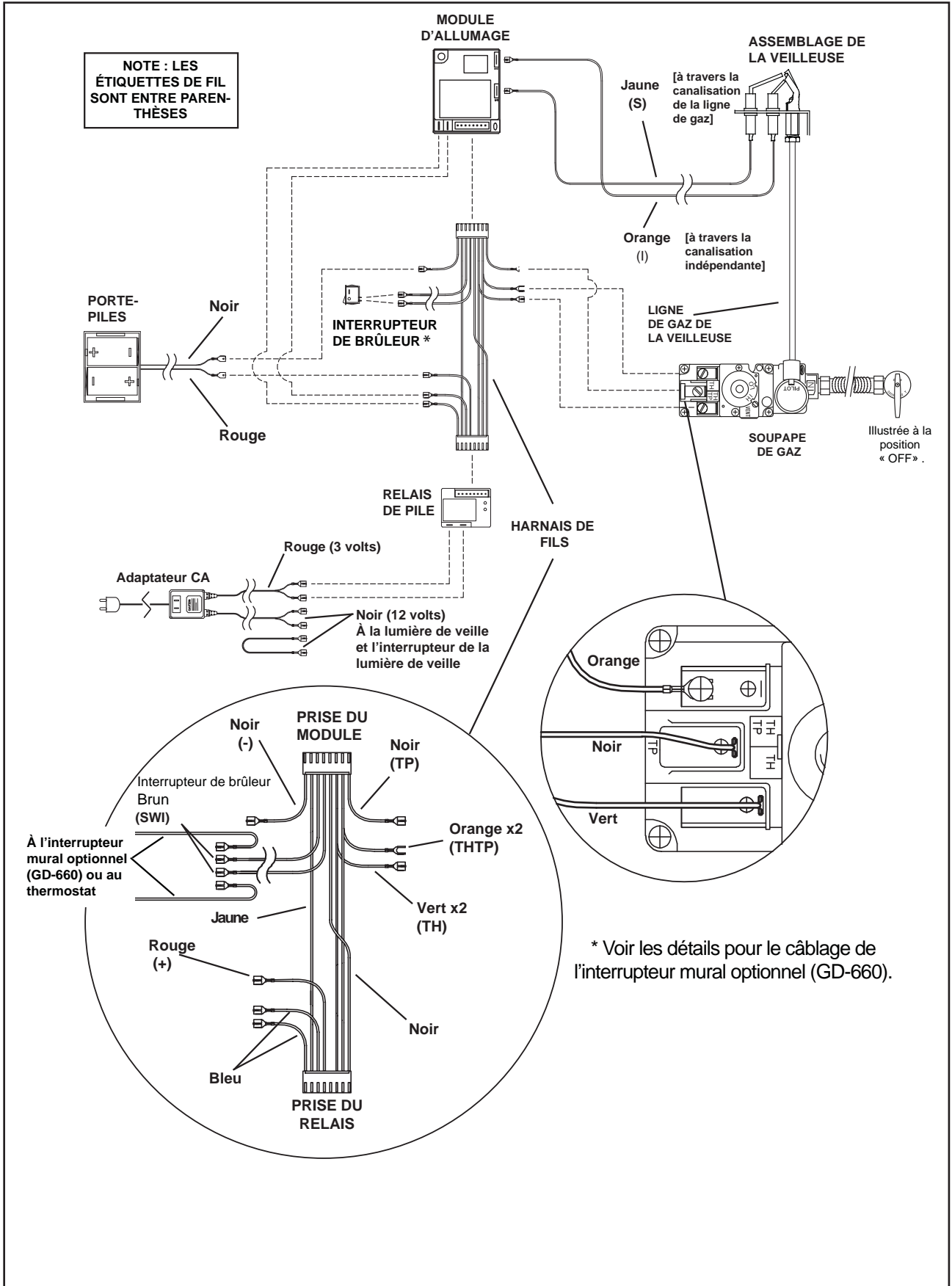
ALLUMEZ TOUJOURS LA VEILLEUSE, QUE CE SOIT POUR LA PREMIÈRE FOIS OU LORSQUE L'APPROVISIONNEMENT EN GAZ EST ÉPUISÉ, AVEC LA PORTE VITRÉE OUVERTE OU RETIRÉE.

69.2

Vous devez effectuer un branchement par câble avec cet appareil. Une charpente permanente servant à encastrer l'appareil nécessite un branchement par câble de la boîte de dérivation de l'appareil.



7.0 SCHÉMA DE CÂBLAGE



FR

8.0 FINITIONS

8.3.1 FAÇADE

! AVERTISSEMENT

LES PIÈCES DE CET ENSEMBLE SONT LOURDES, SOULEVEZ-LES AVEC PRUDENCE ET ASSUREZ-VOUS QU'ELLES SOIENT SOLIDEMENT FIXÉES SUITE À L'INSTALLATION.

CETTE FAÇADE NE REMPLACE PAS LA PORTE VITRÉE. NE PAS OPÉRER SANS LA PORTE VITRÉE EN PLACE.

LA FAÇADE PEUT ÊTRE INSTALLÉE À ÉGALITÉ AVEC UN COMPTOIR, UN PLANCHER OU UNE BASE DE PROTECTION.

- A. Enlevez l'écran de protection et la porte, référer la section "L'ÉCRAN DE PROTECTION ET PORTE VITRÉE"
- B. Installez les supports côte, assurez-vous que le façade est placé face vers le bas, sur une surface douce pour éviter tout dommage pendant l'installation des supports, voir Figure 1.
- C. Installez l'écran de protection, cannelure vers l'haut, voir Figure 2.
- D. Installez les moulure pour façade décorative, voir Figure 3.
- E. Placez les façade décorative sur l'appareil et installer le reste de la garniture supérieure et le panneau de commande, voir Figure 4.

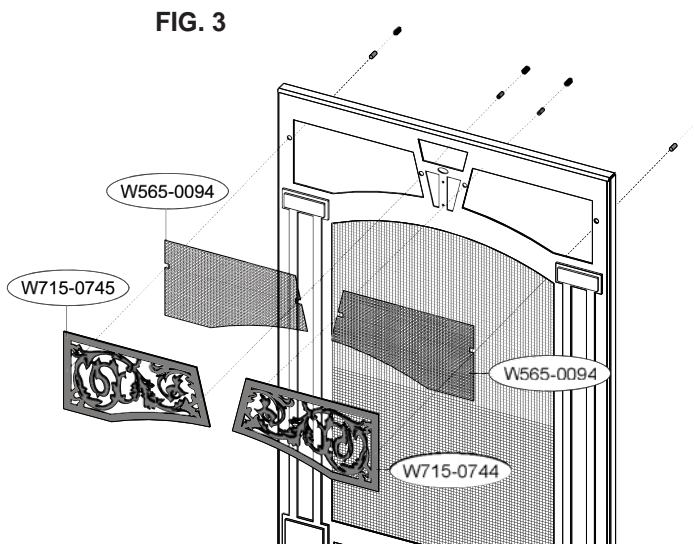
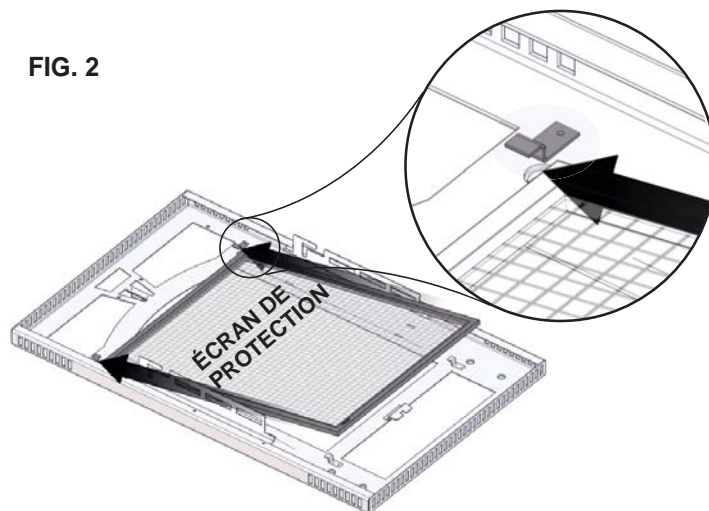
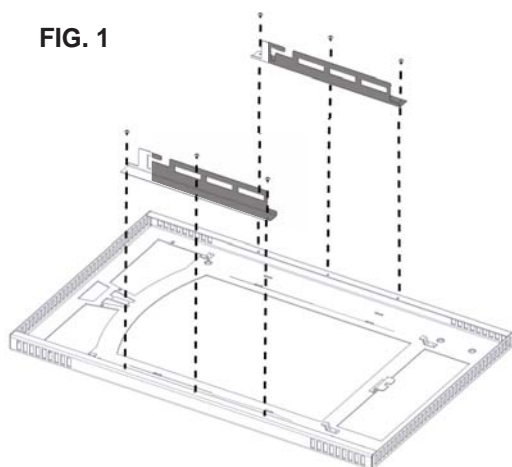
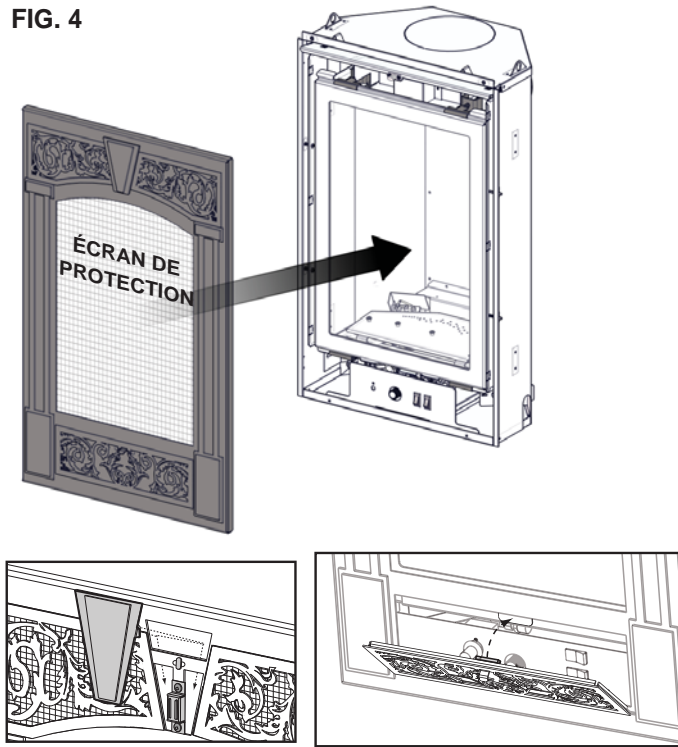
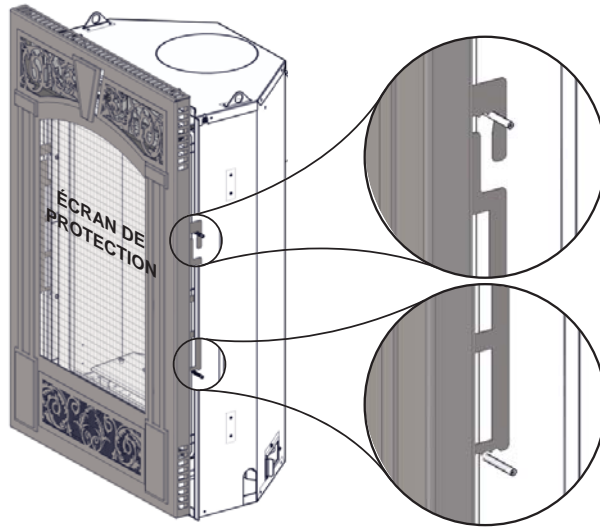


FIG. 4



FR



8.1 FAÇADE CONTEMPORAINE

- A. Enlevez l'écran de protection et la porte, référez la section "L'ÉCRAN DE PROTECTION ET PORTE VITRÉE"
- B. Installez les supports côté, assurez-vous que le façade est placé face vers le bas, sur une surface douce pour éviter tout dommage pendant l'installation des supports, voir Figure 1.
- C. Installez les support de la partie inférieure sur la face avant, voir Figure 2.
- D. Installez l'écran de protection, cannelure vers l'hauf, voir Figure 3.
- E. Placez les façade sur l'appareil et installer le reste de la garniture supérieure et le panneau de commande, voir Figure 4.

FIG. 1

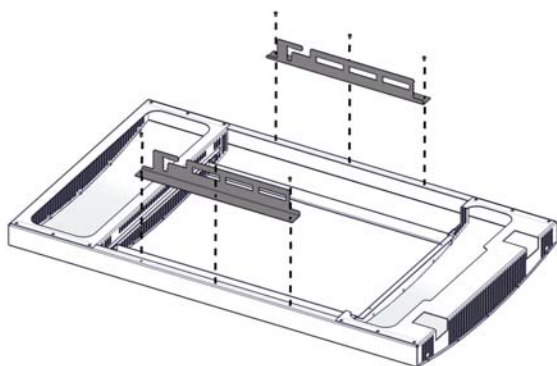


FIG. 2

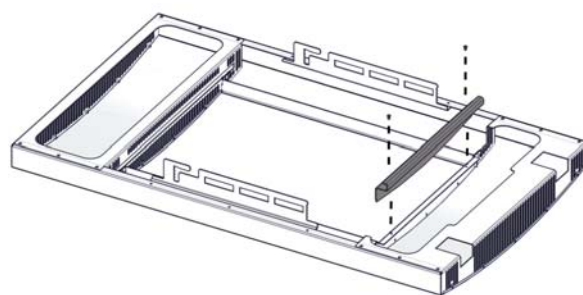


FIG. 3

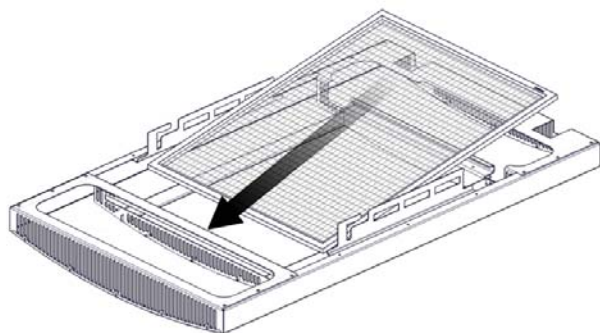
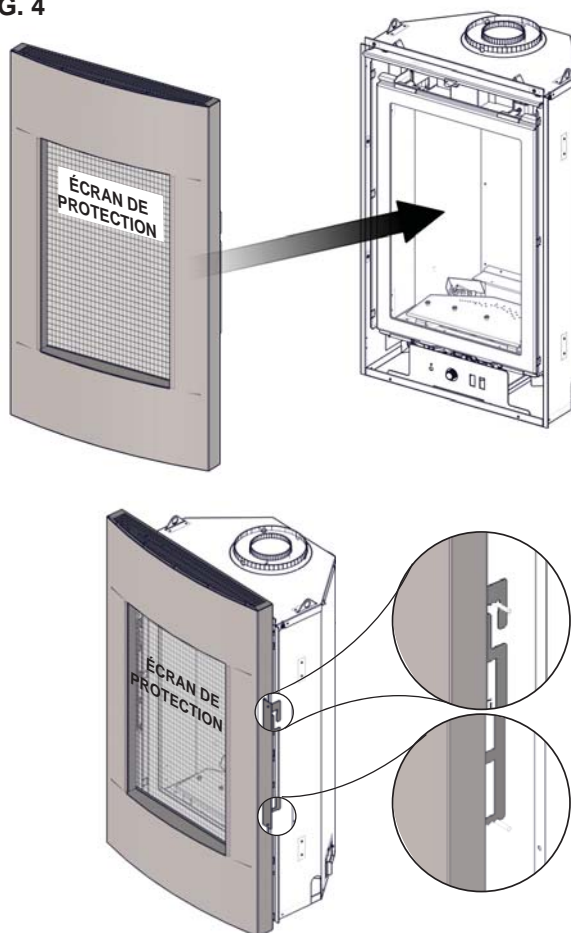


FIG. 4



8.2 L'ÉCRAN DE PROTECTION ET PORTE VITRÉE

Une barrière conçu à réduire le risque de brûlures à partir de la chaude la vitre est à condition que avec l'appareil et sera être installés.

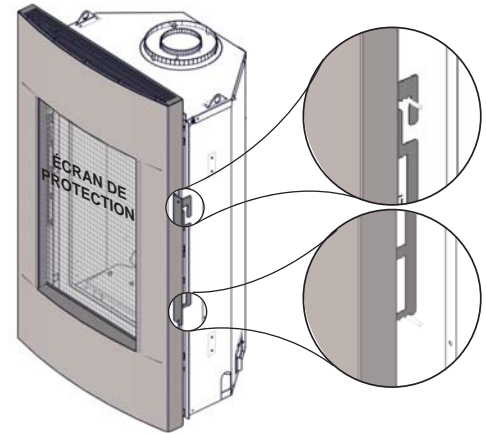
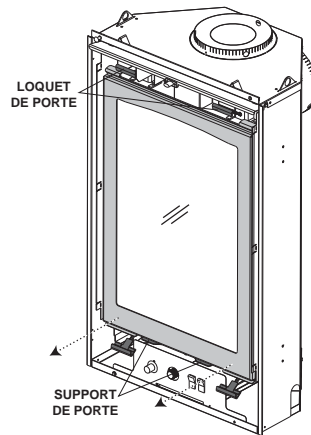
PORTE DE L'INSTALLATION / ENLÈVEMENT:

- A. La porte vitrée est maintenue en place par 4 loquets située en haut et deux loquets en bas de la porte. Tirez les poignées des loquets vers l'avant, puis retirez les loquets du cadre de porte afin de libérer le haut de la porte.
- B. Pivotez ensuite le haut de la porte vers l'avant jusqu'à ce que vous puissiez saisir les côtés.
- C. Inversez ces étapes pour réinstaller l'écran de protection et la porte. Glissez le façade avec écran de protection sur le crochet sur le dessus des espaceur, puis laissez-le glisser vers le bas en position.

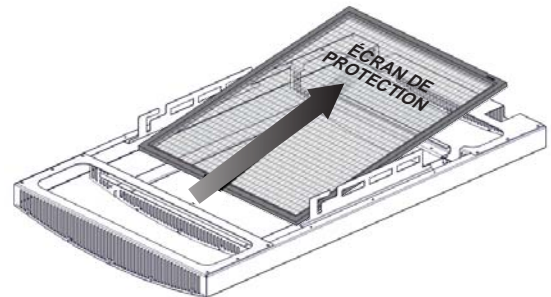
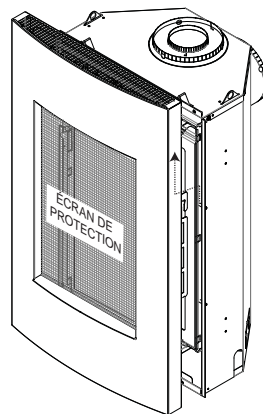
L'ÉCRAN DE PROTECTION L'INSTALLATION / ENLÈVEMENT:

- A. Soulevez le façade avec l'écran de protection vers le haut, tirez le vers vous et soulevez-le loin de l'appareil.
- B. Glissez l'écran de protection et à l'écart de la contour avant.
- C. Inversez ces étapes pour réinstaller. Glissez le façade avec écran de protection sur le crochet sur le dessus des espaceur, puis laissez-le glisser vers le bas en position.

ENLÈVEMENT DE LA PORTE:

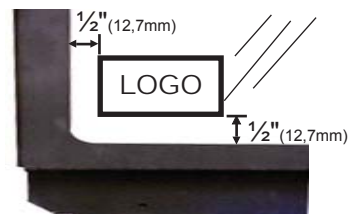


ENLÈVEMENT DE L'ÉCRAN DE PROTECTION:



8.3 MISE EN PLACE DU LOGO

Retirez le papier dorsal du logo et placez-le sur la porte vitrée tel qu'indiqué.



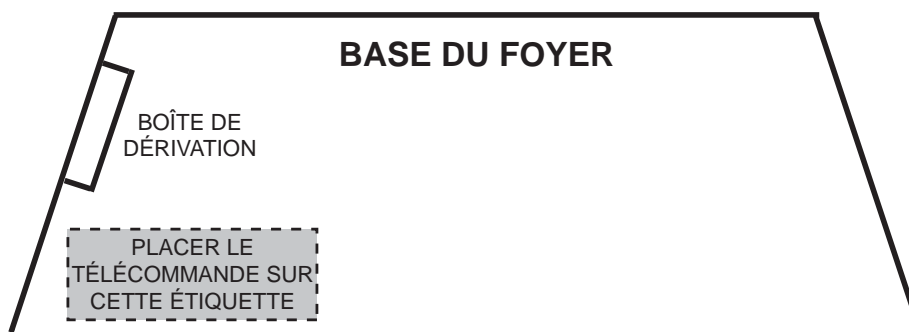
97.1A

FR

8.4 INSTALLATION DU BRÛLEUR

Consultez les instructions incluses avec l'assemblage du brûleur (vendu séparément).

8.5 INSTALLATION TÉLÉCOMMANDE



Positionner le télécommande aux compartiment du soupape près du boite de dérivation électrique. Assurez-vous que le télécommande est en haut de l'étiquette de placement, si équipé.

35.25

9.0 INSTALLATION DE LA SOUFFLERIE OPTIONNELLE

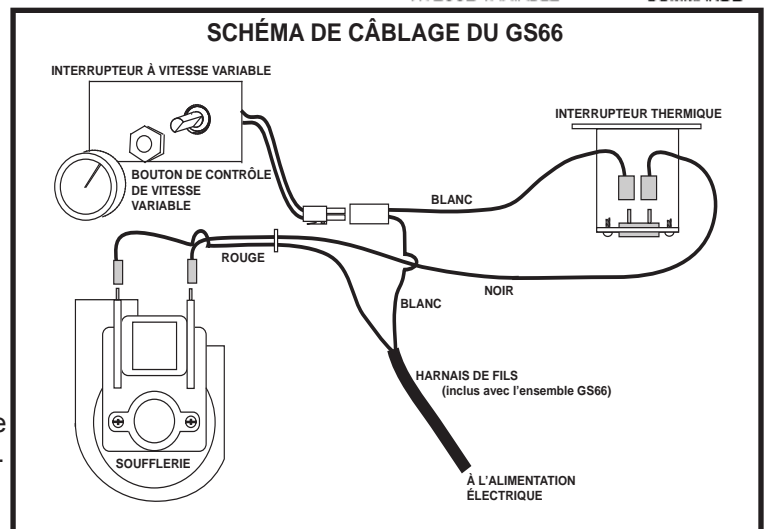
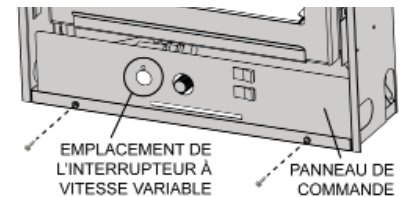
⚠ AVERTISSEMENT
RISQUE D'INCENDIE ET DE CHOC ÉLECTRIQUE.
COUPEZ L'ALIMENTATION EN GAZ ET L'ALIMENTATION ÉLECTRIQUE AVANT DE PROCÉDER À L'ENTRETIEN DE L'APPAREIL.
N'UTILISEZ QUE LES ACCESSOIRES OPTIONNELS ET LES PIÈCES DE RECHANGE APPROUVÉS PAR WOLF STEEL POUR CET APPAREIL. L'UTILISATION D'ACCESSOIRES NON LISTÉS (SOUFFLERIE, PORTES, PERSIENNES, MOULURES, COMPOSANTS DE GAZ, COMPOSANTS D'ÉVACUATION, ETC.) POURRAIT ÊTRE NON SÉCURITAIRE ET ANNULERA LA GARANTIE ET LA CERTIFICATION.
AFIN DE PRÉVENIR LES CHOC ÉLECTRIQUES ET LES DOMMAGES CAUSÉS PAR LE FEU, ASSUREZ-VOUS QUE LE CORDON D'ALIMENTATION DU VENTILATEUR N'ENTRE PAS EN CONTACT AVEC QUELCONQUE SURFACE DE L'APPAREIL. NE FAITES PAS PASSER LE CORDON D'ALIMENTATION SOUS L'APPAREIL.
LE HARNAIS DE FILS FOURNI DANS L'ENSEMBLE DE SOUFFLERIE EST UN HARNAIS UNIVERSEL. LORS DE SON INSTALLATION, ASSUREZ-VOUS QUE TOUT EXCÈS DE FIL EST CONFINÉ, L'EMPÊCHANT AINSI D'ENTRER EN CONTACT AVEC DES OBJETS CHAUDS OU MOBILES.

51.5

L'INSTALLATION DOIT ÊTRE FAITE PAR UN INSTALLATEUR QUALIFIÉ, raccordée électriquement et mise à la terre conformément aux codes locaux. En l'absence de codes locaux, utilisez la version courante du Code canadien de l'électricité CSA C22.1 au Canada ou le National Electrical Code ANSI/NFPA 70 aux États-Unis.

Si une soufflerie optionnelle est utilisée, la soufflerie doit être branchée à l'alimentation électrique principale. Acheminez un câble d'alimentation mis à la terre à deux brins et de calibre 14 vers la boîte de dérivation et la masse. Un raccord de conduit doit être disponible au point d'entrée des câbles dans la boîte de dérivation.

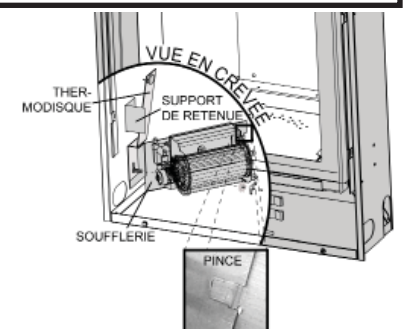
- A. Retirez les deux vis servant à fixer le panneau de commande à l'avant de l'appareil.
- B. Reliez les raccords des fils noir et rouge du harnais de fils aux bornes de la soufflerie.
- C. Reliez les raccords des fils blanc et noir du harnais de fils aux bornes du thermodisque.
- D. Placez l'interrupteur thermique sur la tige située dans le bas à gauche du caisson et derrière le support de retenue.
- E. Raccordez le filage de l'interrupteur à vitesse variable.
- F. Insérez la soufflerie dans le côté gauche sous la chambre de combustion, glissez-la dans pince et placez-la sur la même tige utilisée pour l'interrupteur thermique. Fixez à l'aide la rondelle de blocage et de l'écrou papillon fournis. Assurez-vous que la soufflerie ne touche pas la base du caisson, ni le filage ni les contrôles. Assurez-vous que l'interrupteur thermique touche la paroi de la chambre de combustion.



CONSEIL : Appuyez le thermodisque contre le support de retenue en le pivotant vers l'avant.

- G. Mettez l'interrupteur à vitesse variable en place et fixez à l'aide de l'écrou de blocage fourni. Réinstallez le panneau de commande et installez le bouton de contrôle de vitesse variable.

NOTE : Branchez dans le réceptacle sur le côté droit de l'appareil.



! AVERTISSEMENT

SI CES INSTRUCTIONS NE SONT PAS SUIVIES À LA LETTRE, UN INCENDIE OU UNE EXPLOSION POURRAIENT S'ENSUIVRE, CAUSANT DES DOMMAGES MATÉRIELS, DES BLESSURES CORPORELLES OU DES PERTES DE VIE.

ALLUMEZ TOUJOURS LA VEILLEUSE, QUE CE SOIT POUR LA PREMIÈRE FOIS OU LORSQUE L'APPROVISIONNEMENT EN GAZ EST ÉPUISÉ, AVEC LA PORTE VITRÉE OUVERTE OU RETIRÉE.

Assurez-vous que l'arrivée de gaz au brûleur est continue avant d'installer la porte. Lorsqu'il est allumé pour la première fois, l'appareil dégagera une légère odeur pendant quelques heures. Cela est une condition normale temporaire causée par le conditionnement des bûches et l'évaporation des peintures et lubrifiants internes utilisés dans le processus de fabrication; elle ne se reproduira plus. Après de longues périodes sans utiliser l'appareil, comme à la suite de vacances ou à la fin de l'été, il se peut qu'une légère odeur se dégage pendant quelques heures. Ceci est causé par des particules de poussière brûlant dans l'échangeur de chaleur. Dans les deux cas, ouvrez une fenêtre pour aérer la pièce.

POUR VOTRE SÉCURITÉ, LISEZ CE QUI SUIT AVANT D'ALLUMER L'APPAREIL :

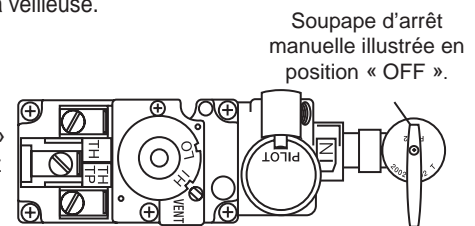
- A. Cet appareil est équipé d'un dispositif d'allumage qui allume automatiquement la veilleuse. N'essayez pas de l'allumer manuellement.
- B. Avant d'allumer, sentez autour de l'appareil et près du plancher afin de vous assurer qu'il n'y a pas de fuite de gaz. Certains gaz sont plus lourds que l'air et se déposeront au niveau du plancher.
- C. N'utilisez que votre main pour tourner le bouton de contrôle du gaz. N'utilisez jamais d'outils. Si le bouton ne tourne pas manuellement, n'essayez pas de le réparer. Contactez un technicien de service qualifié. Forcer le bouton ou tenter de réparer le mécanisme pourrait causer un feu ou une explosion.
- D. N'utilisez pas cet appareil si une partie quelconque a été submergée. Appelez un technicien qualifié immédiatement pour inspecter l'appareil et pour remplacer toute pièce du système de contrôle et du contrôle du gaz qui aurait été submergée.

QUE FAIRE SI VOUS DÉTECTEZ UNE ODEUR DE GAZ :

- Coupez l'alimentation en gaz à l'appareil.
- Ouvrez les fenêtres.
- N'allumez aucun appareil.
- Ne touchez à aucun interrupteur électrique; n'utilisez aucun téléphone dans votre immeuble.
- De la maison d'un voisin, appelez immédiatement votre fournisseur de gaz et suivez ses instructions.
- Si vous ne pouvez pas joindre votre fournisseur de gaz, appelez le service des incendies.

INSTRUCTIONS D'ALLUMAGE :

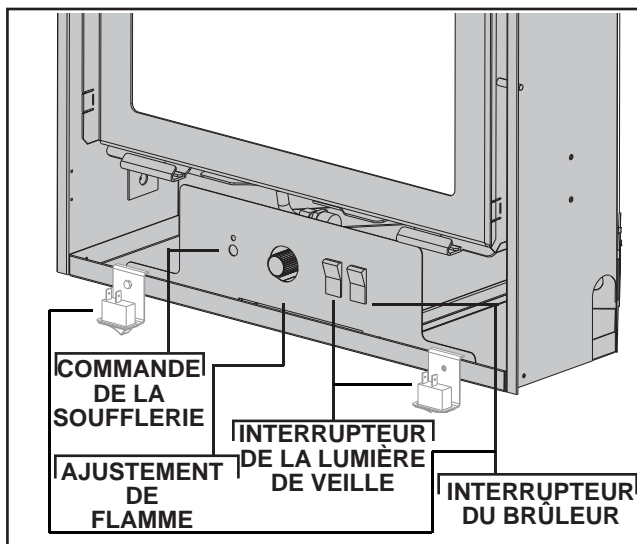
1. ARRÊTEZ! Lisez les consignes de sécurité sur l'étiquette de fonctionnement.
2. Mettez l'interrupteur mural à la position « OFF ».
3. Coupez l'alimentation électrique à l'appareil et enlevez les piles.
4. Cet appareil est équipé d'un dispositif d'allumage qui allume automatiquement la veilleuse. N'essayez pas de l'allumer manuellement.
5. Tournez le bouton de contrôle du gaz vers la droite à « OFF ».
6. Ouvrez la porte vitrée.
7. Attendez 5 minutes pour que le gaz puisse s'échapper. Si vous détectez une odeur de gaz, incluant au niveau du plancher, ARRÊTEZ! Suivez la section « B » sur l'étiquette de fonctionnement. Continuez à l'étape suivante si vous ne sentez pas de gaz.
8. Fermez la porte vitrée.
9. Tournez le bouton de contrôle du gaz vers la gauche à « ON ».
10. Rétablissez l'alimentation électrique à l'appareil, et réinstallez les piles.
11. Remettez l'interrupteur mural à la position « ON ».
12. Si l'appareil ne fonctionne pas, suivez les INSTRUCTIONS POUR COUPER LE GAZ, puis téléphonez à votre technicien de service ou votre fournisseur de gaz.



INSTRUCTIONS POUR COUPER LE GAZ :

1. Mettez l'interrupteur mural de l'appareil à la position « OFF ».
2. Coupez l'alimentation électrique à l'appareil si un travail d'entretien doit se faire.
3. Tournez la soupape d'arrêt manuelle vers la droite à « OFF ». Ne forcez pas.

10.1 FONCTIONS DES COMMANDES



INTERRUPTEUR DU BRÛLEUR

Cet interrupteur sert à allumer et éteindre le brûleur.

AJUSTEMENT DE LA FLAMME

Tournez le bouton vers la droite ou vers la gauche pour ajuster la hauteur de la flamme du brûleur.

INTERRUPTEUR DE LA LUMIÈRE DE VEILLE

Cet interrupteur allume et éteint la lumière de veille.

COMMANDE DE SOUFFLERIE OPTIONNELLE

Lorsqu'il est installé, cet interrupteur place la soufflerie sous tension et sert à régler la vitesse de la soufflerie. Il y a aussi un interrupteur thermique qui mettra en marche la soufflerie une fois que l'appareil a atteint une température confortable.

FR

11.0 RÉGLAGES

11.1 REMPLACEMENT DE L'INJECTEUR DE VEILLEUSE ET DE L'INJECTEUR DE BRÛLEUR

! AVERTISSEMENT

CETTE INSTALLATION DOIT ÊTRE FAITE PAR UN INSTALLATEUR QUALIFIÉ ET DOIT ÊTRE CONFORME AUX CODES LOCAUX. EN L'ABSENCE DE CODES LOCAUX, L'INSTALLATION DOIT ÊTRE CONFORME AU CODE D'INSTALLATION DU GAZ CAN1-B149 DANS SA VERSION POUR LE CANADA OU LE NATIONAL FUEL GAS CODE, ANSI Z223.1 POUR LES ÉTATS-UNIS.

- A. Coupez l'alimentation électrique et en gaz à l'appareil.
- B. Retirez la façade en fonte, la porte vitrée et les bûches.
- C. Retirez les deux vis de fixation, glissez le brûleur vers la droite, soulevez puis retirez.
- D. Retirez l'injecteur de brûleur principal en utilisant une clé à douille longue. Utilisez une clé en même temps sur le collecteur situé sous le boîtier pour vous assurer que le tube d'aluminium ne se tord ou ne se plie. Remplacez l'injecteur de brûleur en utilisant un composé à joint.
- E. Desserrez l'écrou puis remplacez par l'injecteur de veilleuse approprié.
- F. Réinstallez le brûleur en vous assurant que le venturi est bien placé par-dessus l'injecteur de brûleur.

NOTE : Si nécessaire, vérifiez et ajustez le volet d'air à 1/16" pour le propane et 1/32" pour le gaz naturel. Réinstallez les vis.

- G. Ouvrez l'alimentation en gaz et vérifiez pour des fuites de gaz en appliquant une solution d'eau savonneuse.

N'UTILISEZ PAS UNE FLAMME NUE.

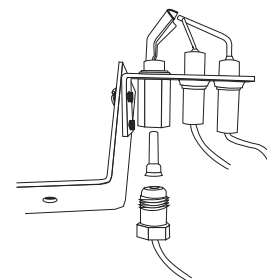
- H. Remettez en place les bûches. Ensuite, allumez la veilleuse et le brûleur principal afin de vous assurer que les conduites de gaz ont bien été purgées.
- I. Réinstallez la porte vitrée et la façade en fonte. Rétablissez l'alimentation électrique à l'appareil.

Purgez toutes les conduites de gaz avec la porte vitrée retirée. Assurez-vous que l'arrivée de gaz au brûleur est continue avant de réinstaller la porte.

EMPLACEMENT
DE L'INJECTEUR
DE BRÛLEUR



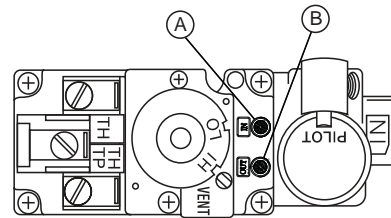
BRÛLEUR



11.2 VÉRIFICATION DE LA PRESSION

Lecture des pressions :

Pour vérifier la pression d'arrivée, tournez deux ou trois fois la vis (A) vers la gauche, puis emboîtez le tube du manomètre sur la pointe d'essai. Le manomètre doit indiquer la pression comme décrit sur le diagramme ci-dessous. Assurez-vous que le brûleur principal fonctionne à « HI ».



La pression de sortie peut être vérifiée de la même façon en utilisant la vis (B). Le manomètre doit indiquer la pression comme décrit sur le diagramme ci-dessous. Assurez-vous que le brûleur principal fonctionne à « HI ».

APRÈS AVOIR PRIS LA LECTURE DES PRESSIONS, ASSUREZ-VOUS DE TOURNER FERMEMENT LA VIS VERS LA DROITE POUR SCELLER. NE SERREZ PAS TROP FORT.

Vérifiez pour des fuites en appliquant une solution d'eau savonneuse.

Avant d'effectuer le réglage de la veilleuse, assurez-vous que l'assemblage de la veilleuse n'a pas été peint. S'il y a des traces de peinture ou de surpulsérisation, enlevez-les de l'assemblage de la veilleuse ou remplacez-le. Une toile d'émeri ou du papier sablé fins peut être utilisé pour enlever la peinture sur la hotte de la veilleuse, sur l'électrode et sur le capteur de flamme.

Pression	Gaz Naturel (pouces)	Gaz Naturel (millibars)	Propane (pouces)	Propane (millibars)
Arrivée	7" (min.4,5")	17,4 mb (min.11,2mb)	13" (min.11")	32,4 mb (min.27,4mb)
Sortie	3,5"	8,7 mb	10"	24,9 mb

39.5B

11.3 ÉTRANGLEMENT DES ÉVÉNEMENTS VERTICAUX

Certaines configurations d'évacuation verticales peuvent avoir une flamme très active. Si cette apparence n'est pas désirée, la sortie du conduit d'évacuation doit être réduite en utilisant une plaque de restriction. Pour obtenir l'ensemble approprié, voir les « ACCESSOIRES » à la section « RECHANGES ». Ceci diminuera la vitesse des gaz de combustion, ralentissant ainsi le mouvement de la flamme et créant une apparence plus traditionnelle. Les instructions sont incluses avec l'ensemble.

77.3

12.0 ENTRETIEN

! AVERTISSEMENT
COUPEZ L'ALIMENTATION EN GAZ ET L'ALIMENTATION ÉLECTRIQUE AVANT DE PROCÉDER À L'ENTRETIEN DE L'APPAREIL.
L'APPAREIL PEUT ÊTRE CHAUD. ATTENDEZ QU'IL SOIT REFROIDI AVANT D'EN FAIRE L'ENTRETIEN.
N'UTILISEZ PAS DE PRODUITS ABRASIFS.
NE PEINTURE PAS L'ASSEMBLAGE DU VEILLEUSE.

ATTENTION : Lors de l'entretien des contrôles, assurez-vous d'identifier chacun des fils avant de les débrancher. Une réinstallation incorrecte des fils peut occasionner un mauvais fonctionnement et être dangereuse. Assurez-vous que l'appareil fonctionne adéquatement une fois l'entretien terminé. Cet appareil et son système d'évacuation devraient être inspectés avant la première utilisation et au moins une fois l'an par un technicien de service qualifié. L'espace entourant l'appareil doit être gardé propre et libre de matériaux combustibles, d'essence ou autres liquides et vapeurs inflammables. Les apports d'air comburant et d'air de convection ne doivent pas être obstrués.

- A. Pour nettoyer le brûleur principal et la veilleuse adéquatement, il faut retirer les bûches, les roches ou la vitre afin de dégager les deux ensembles.
- B. Gardez le compartiment des contrôles, les composants décoratifs, le brûleur, le volet d'air et l'espace entourant les bûches propres en brossant ou en passant l'aspirateur au moins une fois l'an.
- C. Assurez-vous que tous les orifices des brûleurs produisent des flammes. Nettoyez tous les orifices qui n'ont pas de flamme ou dont la flamme ne brûle pas adéquatement.
- D. Assurez-vous que la flamme de la veilleuse est assez puissante pour envelopper la sonde de flamme et/ou le thermocouple/thermopile et qu'elle atteigne le brûleur.
- E. Remettez en place les bûches, les roches ou la vitre nettoyées, si équipé. Omettre de positionner les composants décoratifs adéquatement peut causer des dépôts de carbone qui peuvent se déposer dans des endroits de séjour avoisinants.
- F. Vérifiez si le brûleur principal allume sur tous les orifices lorsque le bouton de contrôle du gaz est à « ON ». Un temps d'allumage total de 5 à 10 secondes est satisfaisant. Si l'allumage prend plus de temps, consultez votre détaillant autorisé.
- G. Vérifiez si les joints d'étanchéité sur les côtés, le haut et le bas de la porte ne sont pas brisés ou manquants. Remplacez si nécessaire.
- H. Si pour une raison quelconque le système d'évents de prise d'air est démonté, réinstallez et rescellez-le selon les instructions fournies dans l'installation initiale.
- I. Il est possible que l'écran de protection (pare-étincelles) nécessite un nettoyage occasionnel en raison des peluches/poussières provenant des tapis, des animaux, etc. il suffit de passer l'aspirateur à l'aide de l'embout avec une brosse.
- J. Vérifiez si le système de décharge de pression effectue efficacement. Vérifiez si les joints d'étanchéité ne sont pas brisés ou manquants. Remplacez si nécessaire.

40.1D

12.1 ENTRETIEN ANNUEL

! AVERTISSEMENT
LE CAISSON DEVIENT TRÈS CHAUD LORS DU FONCTIONNEMENT. LAISSEZ L'APPAREIL SE REFROIDIR COMPLÈTEMENT OU PORTEZ DES GANTS ANTICHALEUR AVANT D'EFFECTUER L'ENTRETIEN.
NE JAMAIS ASPIRER DES BRAISES QUI SONT CHAUDES.
NE PEINTUREZ PAS L'ASSEMBLAGE DE LA VEILLEUSE.

- Cet appareil nécessite un entretien qui devra être effectué sur une base annuelle.
- L'entretien devrait inclure un nettoyage, le remplacement des piles, une inspection du système d'évent, du brûleur, des éléments décoratifs internes et de la chambre de combustion. Consultez la section pour l'enlèvement de la porte et retirez la porte comme indiqué.
- Enlevez soigneusement les éléments décoratifs internes s'il y a lieu (bûches, braises de verre, panneaux de brique, etc.)
- À l'aide d'un aspirateur muni d'une brosse souple, aspirez les saletés, les débris et les dépôts de carbone sur les bûches, la chambre de combustion et le brûleur. Pour les braises de verre, suivez les instructions de prénettoyage.

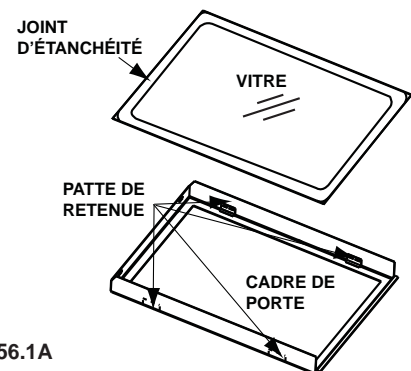
- Enlevez aussi tout dépôt se trouvant sur l'assemblage de la veilleuse et aussi, s'il y a lieu, sur la thermopile, le thermocouple, le capteur de flamme et l'allumeur. **NOTE: Vous devrez possiblement nettoyer le capteur de flamme à l'aide d'un morceau de laine d'acier ou Scotch-Brite™ afin de retirer toute trace d'oxydation. Nettoyez l'assemblage du pilote à l'aide d'un aspirateur muni d'une brosse souple. Il est important de ne pas peindre l'assemblage de la veilleuse.**
- Inspectez tous les joints d'étanchéité accessibles et remplacez-les au besoin.
- Accédez à la soufflerie, s'il y a lieu, puis nettoyez à l'aide d'une brosse souple et d'un aspirateur.
- Réinstallez tous les composants dans l'ordre inverse.
- Inspectez le système de surpression. L'appareil dissipe la pression par la porte vitrée ou par les clapets sur le dessus du caisson. Assurez-vous qu'ils ouvrent sans restriction et qu'ils ferment de façon étanche.
- - Vérifiez si la soupape de gaz de la veilleuse et les boutons Hi / Lo bougent librement (s'il y a lieu) - remplacez si vous constatez de la rigidité dans le mouvement.
- - Vérifiez tous les branchements du gaz pour des fuites de gaz, en amont et en aval de la soupape de gaz incluant les connexions du tube de la veilleuse.

37.1C

12.2 REMPLACEMENT DE LA VITRE DE PORTE

! AVERTISSEMENT
N'UTILISEZ PAS DE MATÉRIAUX DE SUBSTITUTION.
LA VITRE PEUT ÊTRE CHAUDE, NE TOUCHEZ PAS LA VITRE JUSQU'À CE QU'ELLE AIT REFROIDI.
USEZ DE PRUDENCE LORSQUE VOUS ENLEVEZ ET JETEZ DES DÉBRIS DE VERRE OU DES COMPOSANTS ENDOMMAGÉS. ASSUREZ-VOUS D'ASPIRER TOUS LES DÉBRIS DE VERRE À L'INTÉRIEUR DE L'APPAREIL AVANT DE LE FAIRE FONCTIONNER.
NE FRAPPEZ PAS, NE CLAQUEZ PAS ET N'ÉGRATIGNEZ PAS LA PORTE VITRÉE. NE FAITES PAS FONCTIONNER L'APPAREIL LORSQUE LA PORTE VITRÉE EST ENLEVÉE, FISSURÉE, BRISÉE OU ÉGRATIGNÉE.

- Placez le cadre de la porte avec la devanture vers le bas en prenant soin de ne pas égratigner la peinture.
- Centrez la vitre avec joint d'étanchéité dans le cadre avec le côté épais du joint d'étanchéité orienté vers le haut.
- Pliez les pattes de retenue situées sur le cadre par-dessus le joint d'étanchéité pour retenir la vitre en place. Faites attention à ne pas casser la vitre.



56.1A

12.3 SOINS DE LA VITRE

NE PAS NETTOYER LA VITRE LORSQU'ELLE EST CHAUDE! N'EMPLOYEZ PAS DE DÉTERGENTS ABRASIFS POUR NETTOYER LA VITRE.

Polissez légèrement à l'aide d'un linge propre et sec. Nettoyez les deux côtés de la vitre avec un nettoyeur recommandé après les dix premières heures de fonctionnement. Par la suite, nettoyez aussi souvent qu'il le faudra, sinon la vitre risque de rester marquée en

! AVERTISSEMENT
LA VITRE CHAUDE CAUSERA DES BRÛLURES.
NE PAS TOUCHER LA VITRE AVANT QU'ELLE AIT REFROIDI.
NE JAMAIS LAISSER LES ENFANTS TOUCHER LA VITRE.

5.1

L'appareil est muni d'une 5mm en verre céramique Remplacez uniquement avec une vitre certifiée pour le foyer disponible chez votre détaillant Napoléon. **N'UTILISEZ PAS DE MATÉRIAUX SUBSTITUTS.**

5.5.1

12.4 REMPLACEMENT DE LA LUMIÈRE DE VEILLE

12.4.1 REMPLACEMENT DE L'AMPOULE

Le GD19 est équipé d'une lumière de veille. Si vous devez remplacer l'ampoule ou la lentille, suivez les instructions suivantes.

- A. Coupez l'alimentation électrique.
- B. Enlevez la façade et la porte de l'appareil.
- C. Dévissez le couvercle de la lentille en vous assurant que la rondelle demeure en place.

NOTE : Lorsque vous manipulez l'ampoule, ne la laissez pas entrer en contact direct avec vos doigts, protégez-la avec un linge propre et sec.

- D. L'ampoule s'enlève en la tirant hors de la douille. Remplacez par des pièces Wolf Steel Ltée uniquement (W387-0009), car l'ampoule et la lentille sont des produits spécialement conçus pour les hautes températures.
- E. Remplacez la lentille ainsi que le joint d'étanchéité, couvercles de lentilles, puis attachez les fils au raccord rapide. Réinstallez la porte.

NOTE : La chambre de combustion doit être scellée.

Lors du réassemblage de la lumière, faites attention. Il est possible que des « fuites de lumière » soient visibles au-dessus des portes en fonte. Les trous dans le boîtier de la lumière sont nécessaires à la ventilation et ne doivent pas être couverts.



FR

12.4.2 INSTALLATION DE L'ASSEMBLAGE DE LENTILLE

- A. Enlevez la porte de l'appareil.
- B. Passez les fils dans le trou de la lentille.
- C. Alignez l'orifice avec l'assemblage de lentille.
- D. Insérez en place.
- E. Remplacez les écrans de lumière, attachez les fils, puis réinstallez la porte de l'appareil.



12.4.3 REMPLACEMENT DE L'ASSEMBLAGE DE LENTILLE

- A. Enlevez la porte et l'écran supérieur de l'appareil.
- B. Comprimez les ailettes de retenue à l'aide d'un tournevis tout en appuyant fermement sur le dessus de l'assemblage de lumière.
- C. Dès que toutes les ailettes de retenue seront renfoncées, l'assemblage de lumière sortira de son emplacement.



13.0 RECHANGES

Contactez votre détaillant ou le fabricant pour les questions concernant les prix et la disponibilité des pièces de rechange. Normalement, toutes les pièces peuvent être commandées chez votre détaillant autorisé.

POUR UN REMPLACEMENT DE PIÈCE SOUS GARANTIE, UNE PHOTOCOPIE DE LA FACTURE ORIGINALE SERA REQUISE AFIN DE POUVOIR HONORER LA DEMANDE.

Lorsque vous commandez des pièces, donnez toujours l'information suivante :

- Modèle et numéro de série de l'appareil
- Date d'installation de l'appareil
- Numéro de la pièce
- Description de la pièce
- Fini

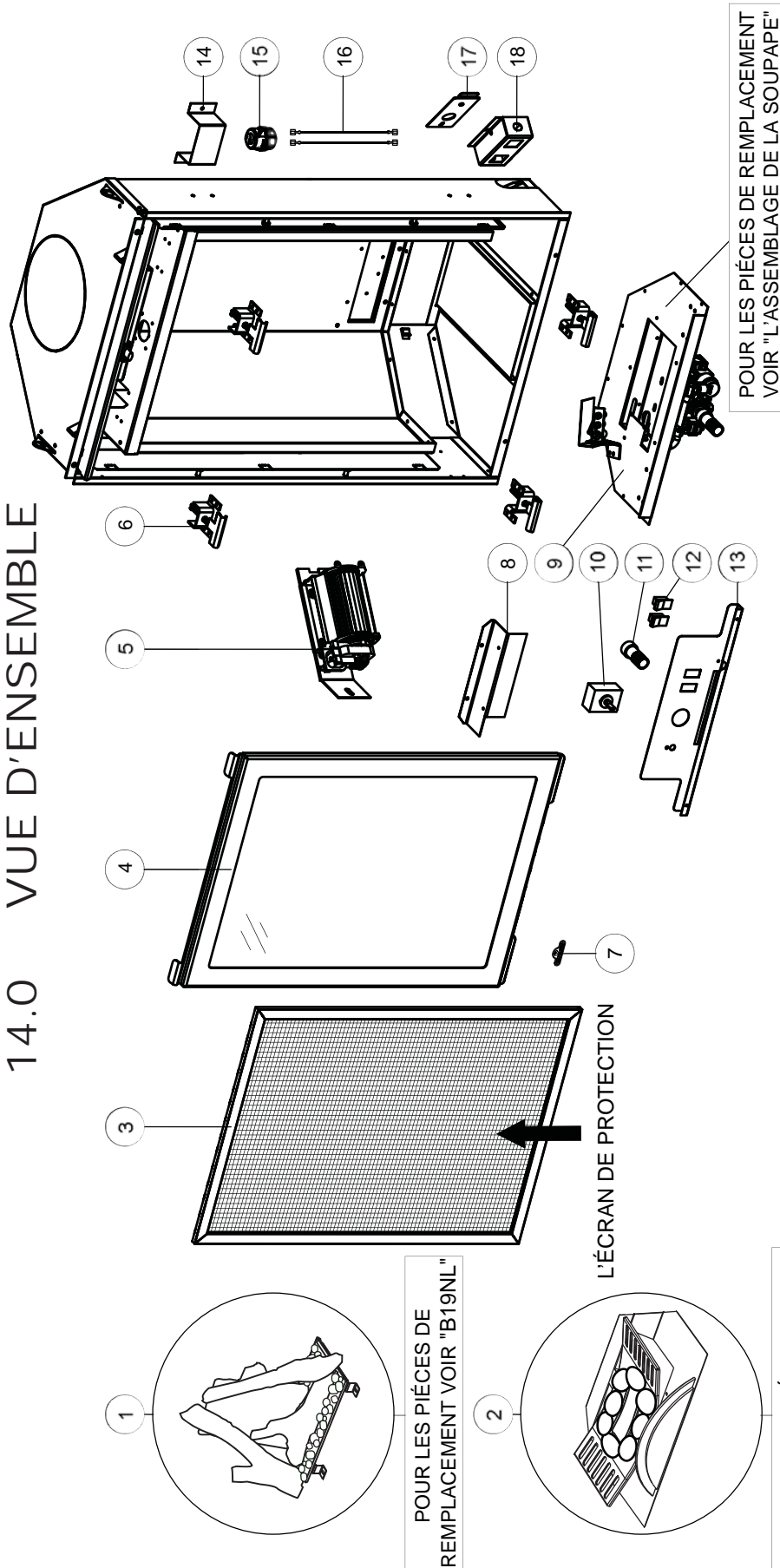
*** IDENTIFIE LES ARTICLES QUI NE SONT PAS ILLUSTRÉS. POUR PLUS D'INFORMATION, CONTACTEZ VOTRE DÉTAILLANT AUTORISÉ.**



AVERTISSEMENT

OMETTRE DE POSITIONNER LES PIÈCES CONFORMÉMENT AU MANUEL OU D'UTILISER UNIQUEMENT DES PIÈCES SPÉCIFIQUEMENT APPROUVÉES POUR CET APPAREIL PEUT CAUSER DES DOMMAGES MATÉRIELS OU DES BLESSURES CORPORELLES.

14.0 VUE D'ENSEMBLE

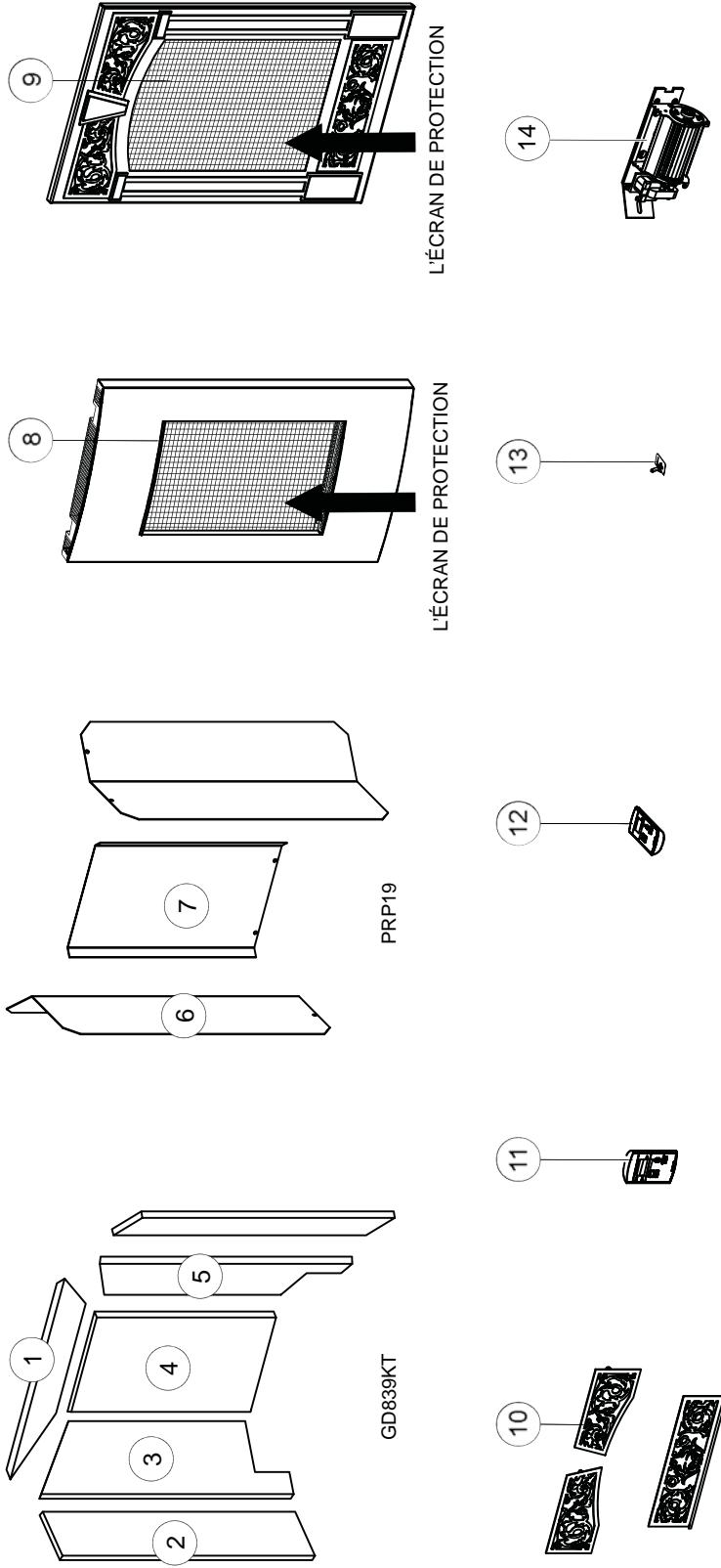


CES ARTICLES PEUT DIFFÉRER DE CELLE ILLUSTRÉ

REF. NO.	PART NO.	DESCRIPTION
10	W660-0019	INTERRUPTEUR À VITESSE VARIABLE
11	W380-0021	POIGNÉE DE SOUPE
12	W660-0009	COMMUTATEUR «ON/OFF» (X2)
13	W475-0528	PANNEAU DE CONTRÔLE
14	W585-0235	BOUCLIER DU LUMIÈRE
15	W387-0011	AMPOULE DE LA LUMIÈRE À HAUTE TEMPÉRATURE
16	W750-0185	HARNAIS DE FILS DE LA LUMIÈRE DE VEILLE
17	W500-0042	PLAQUE DE RECouvreMENT DE LA BOÎTE DE JONCTION
18	W350-0126	BOÎTIER DU BOÎTE DE JONCTION

REF. NO.	PART NO.	DESCRIPTION
1	B19NL	L'ASSEMBLAGE DES BÛCHES BRÛLEUR
2	B19NS	L'ASSEMBLAGE DES ROCHE BRÛLEUR
3	W565-0170-SER	L'ÉCRAN DE PROTECTION
4	W010-2166	ASSEMBLAGE DE LA PORTE
5	GS66	ASSEMBLAGE DU SOUFFLERIE
6	W010-2109	LOQUET DE PORTE (X4)
7	W385-0334	LOGO NAPOLÉON®
8	W655-0265	SUPPORT DES BÛCHES L'ARRIÈRE
9	W010-2556	L'ASSEMBLAGE DE LA SOUPE

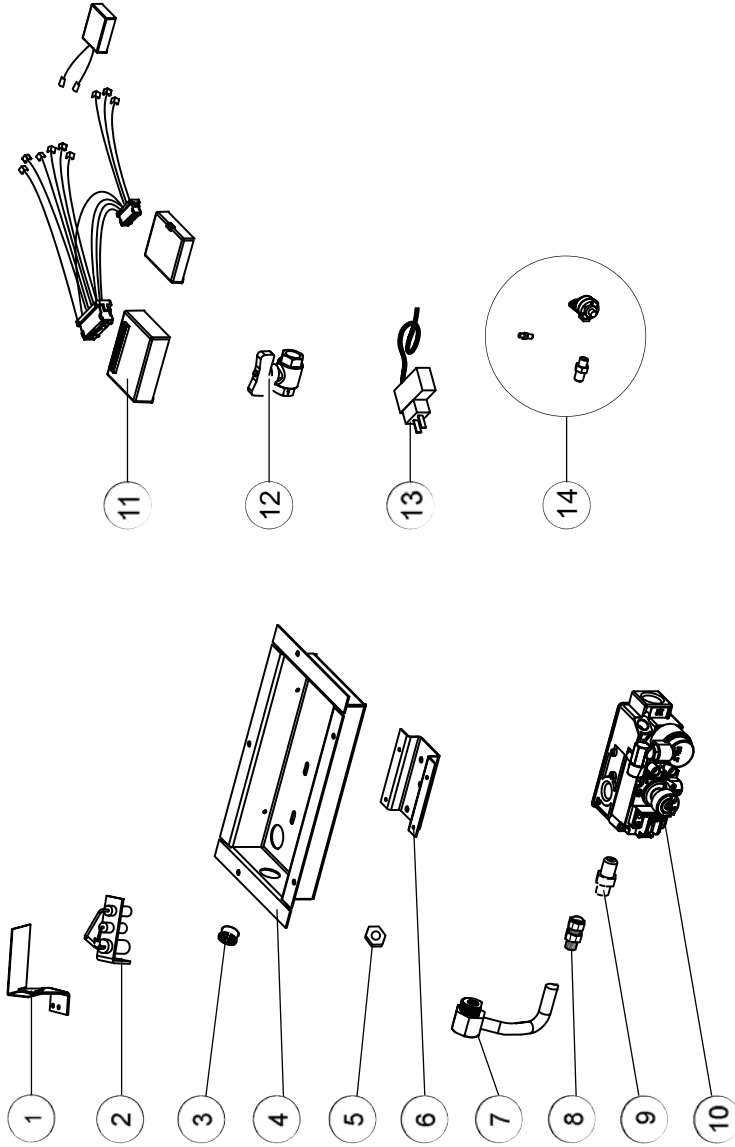
15.0 ACCESSORIES



CES ARTICLES PEUT DIFFÉRER DE CELLE ILLUSTRÉ

REF. #	PART #	DESCRIPTION	REF. #	PART NO.	DESCRIPTION
1	W475-0556	PANNEAU DU DÉFLECTEUR (GD839KT)	8	CFK19 / CFS19	ENSEMBLE DE FAÇADE
2	W475-0521	PANNEAU DE BRIQUE DU VICTORIEN AVANT (X2) (GD839KT)	9	FK19 / FK19PW	ENSEMBLE DE FAÇADE
3	W475-0520	PANNEAU DE BRIQUE DU VICTORIEN CÔTÉ GAUCHE (GD839KT)	10	VOIK / VOISS	PANNEAUX ORNEMENTAUX VICTORIENS
4	W475-0518	PANNEAU DE BRIQUE DU VICTORIEN ARRIÈRE (GD839KT)	11	W660-0081	THERMOSTAT MURAL
5	W475-0519	PANNEAU DE BRIQUE DU VICTORIEN CÔTÉ DROITE (GD839KT)	12	F45 / F60	TÉLÉCOMMANDE MANUELLE
6	W090-0153	PANNEAU DE PORCELAINÉ DU CÔTÉ (X2) (PRP19)	13	ACS-1	INTERRUPTEUR ACS
7	W090-0152	PANNEAU DE PORCELAINÉ DE L'ARRIÈRE (PRP19)	14	GS66	SOUFFLERIE

16.0 L'ASSEMBLAGE DE LA SOUPE

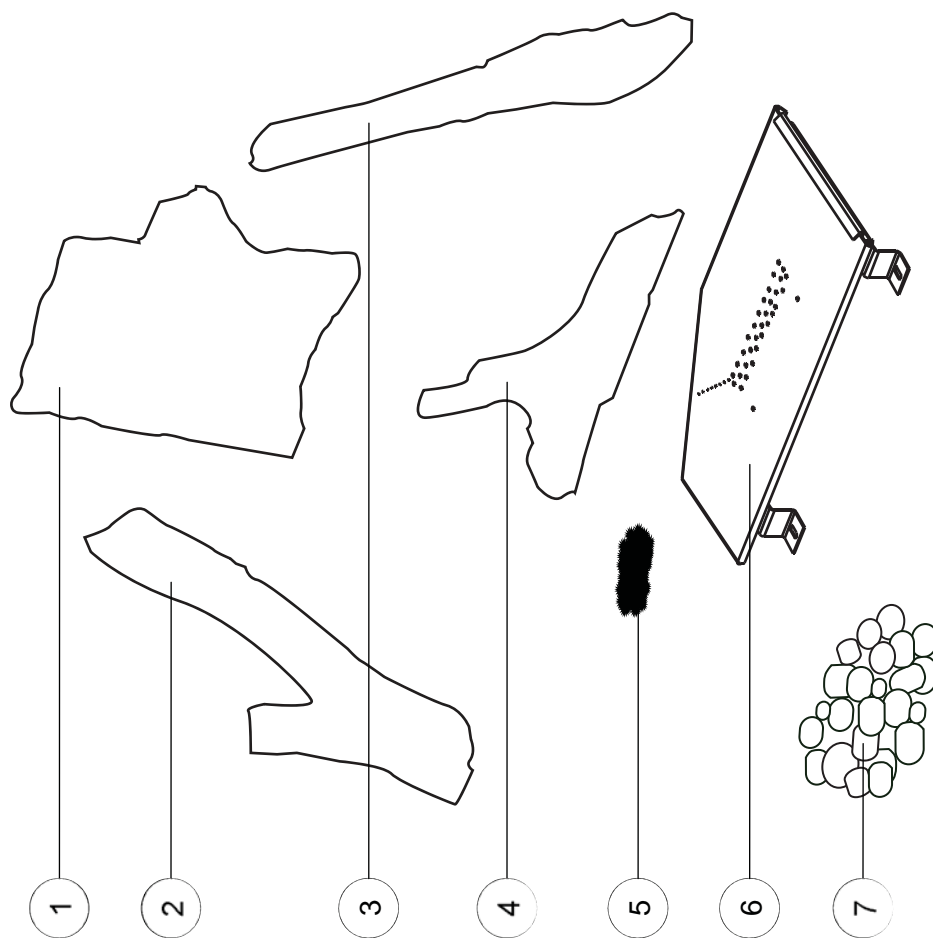


CES ARTICLES PEUT DIFFÉRER DE CELLE ILLUSTRÉ

REF. #	PART #	DESCRIPTION
1	W080-1298	SUPPORT DE VEILLEUSE
2	W100-0069	ASSEMBLAGE DE VEILLEUSE (GN)
3	W105-0001	BAGUE 7/8"
4	W035-0159	BASE DU BRÛLEUR
5	W450-0036	PAL NUT
6	W080-0749	SUPPORT DU SOUPE
7	W432-0063	COLLECTEUR 3/8"
8	W175-0055	CONNECTEUR 3/8"

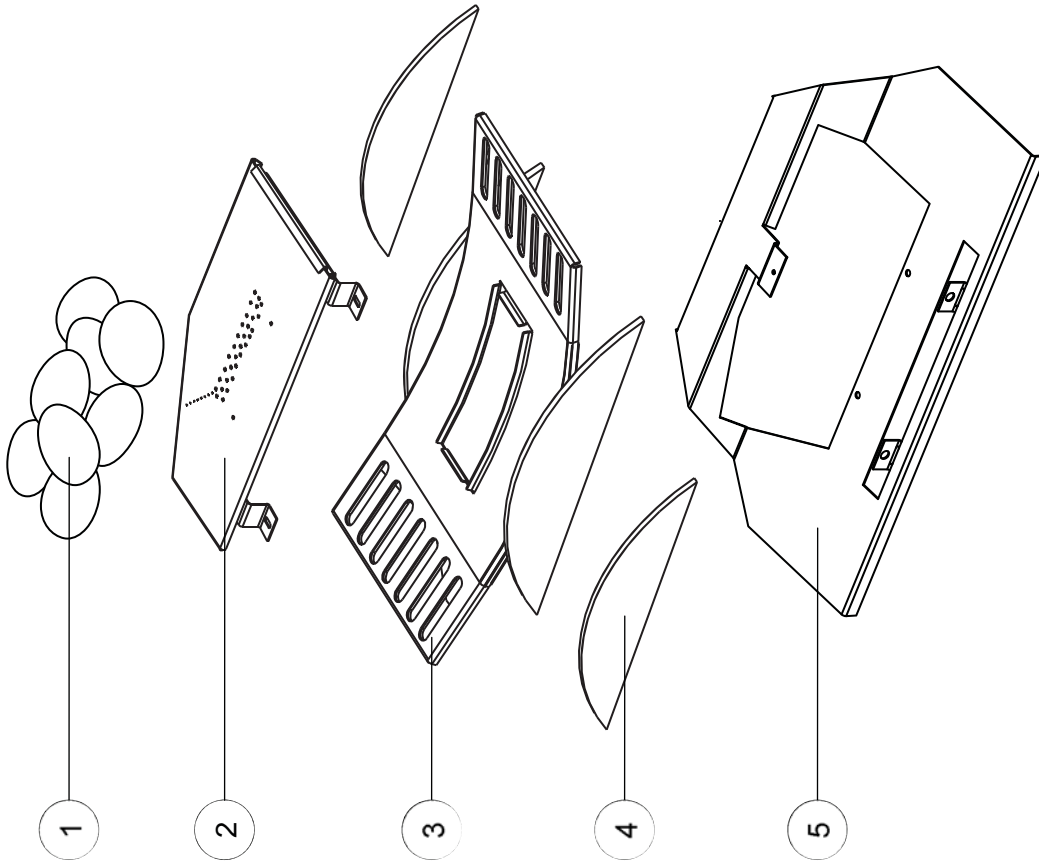
REF. #	PART #	DESCRIPTION
9	W456-0052	#52 INJECTEUR DE VEILLEUSE
10	W725-0032	ALLUMAGE DU SOUPE ÉLECTRONIQUE
11	W010-2517	L'ASSEMBLAGE DE ALLUMAGE DU SOUPE ÉLECTRONIQUE
12	W725-0041	SOUPE DU GAZ
13	W707-0005	TRANSFORMATEUR
14	W175-0266	TROUSSE DE CONVERSION (PL)

17.0 L'ASSEMBLAGE DES BÛCHES BRÛLEUR



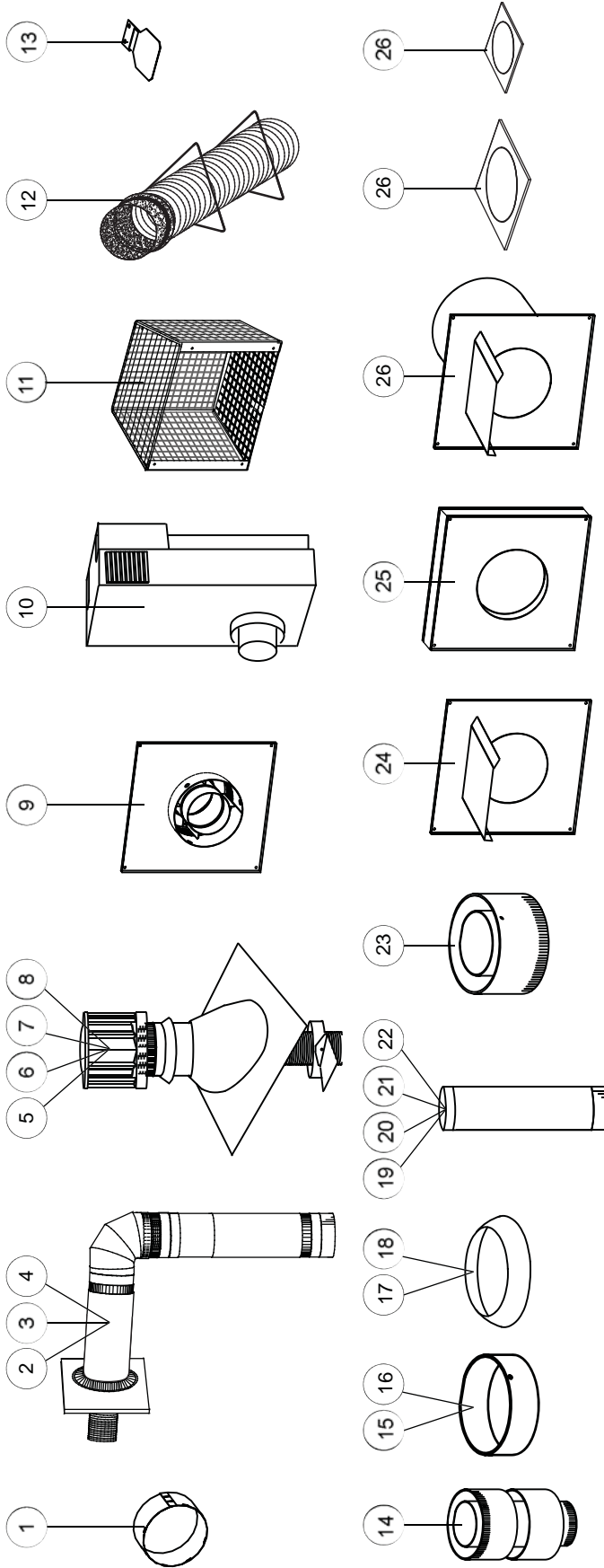
REF. NO.	PART NO.	DESCRIPTION
1	W135-0322	BÛCHE DE L'ARRIÈRE (GL-622)
2	W135-0323	BÛCHE DE GAUCHE (GL-622)
3	W135-0324	BÛCHE DE DROITE (GL-622)
4	W135-0325	BÛCHE DE CENTRAL (GL-622)
5	GL-622	ENSEMBLE DE BÛCHES
6	W550-0001	BRAISES DE CHARBON
7	W010-1653	ASSEMBLAGE DE BRÛLEUR À PLATEAU
8	W361-0016	LES BRAISES LUISANTES

18.0 L'ASSEMBLAGE DES ROCHE BRÛLEUR



REF. NO.	PART NO.	DESCRIPTION
1	W135-0424	ROCHES GRIS LES PETITS (MKR)
2	W010-2493	ASSEMBLAGE DE BRÛLEUR À PLATEAU
3	W010-2499	ASSEMBLAGE DU BOL ROCHE
4	W010-2498	ASSEMBLAGE DE MOULURES (X2)
5	W655-0378	SUPPORT DE BRÛLEUR ROCHE

19.0 VENTILATION



CES ARTICLES PEUT DIFFÉRER DE CELLE ILLUSTRÉ

REF. #	PART NO.	DESCRIPTION	REF. #	PART NO.	DESCRIPTION
1	W175-0001	ATTELAGE 4"	15	W025-0001	DÉCORATIVE EN LAITON BANDE
2	GD-175	ENSEMBLE DE TERMINAISON MURALE	16	W025-0003	DÉCORATIVE EN NOIR BANDE
3	GD-176	ENSEMBLE D'ÉVENTS (AVEC TERMINALE)	17	BRTC7	COLLET DE CONTOUR EN LAITON 7"
4	GD-180	ENSEMBLE D'ÉVENTS (AVEC PÉRISCOPEQUE GD201)	18	BM3730	COLLET DE CONTOUR EN NOIR 7"
5	GD110	ENSEMBLE DE TERMINAISON POUR TOIT (PENTE 1/12 - 7/12)	19	BM6724	TUYAU (7" x 24")
6	GD111	ENSEMBLE DE TERMINAISON POUR TOIT (PENTE 8/12 - 12/12)	20	BM67ADJ	TUYAU (7" x 28" - 54" AJUSTEMENT)
7	GD112	ENSEMBLE DE TERMINAISON POUR TOIT (TOIT PLAT)	21	BM6745	TUYAU (7" - 45° COUDE)
8	GD113	ENSEMBLE DE TERMINAISON POUR TOIT (AVEC COLLET DE SOLIN)	22	BM6790	TUYAU (7" - 90° COUDE)
9	GD177	ENSEMBLE D'ÉVENTS (AVEC TERMINALE)	23	GDS942N	ADAPTEUR DURAVENT
10	GD-201	PÉRISCOPEQUE	24	W500-0077	ESPACEUR COUPE-FEU / PLAQUE DE PLAFOND
11	GD-301	PROTECTEUR DE CHALEUR	25	W500-0103	PLAQUE DE TERMINALE EXTENSION
12	W010-0300	4" x 10" FLEXIBLE (AVEC ESPACEUR)	26	AVS47KT	COUPE-FEU / MANCHON DE CONDUIT
13	RP4	4" PLAQUE DE RESTRICTION	27	W290-0054	JOINT D'ÉTANCHÉITÉ 7"
14	GS-150KT	UN ADAPTEUR POUR ÉVENT-B.	28	W290-0056	JOINT D'ÉTANCHÉITÉ 4"

20.0 GUIDE DE DÉPANNAGE

! AVERTISSEMENT

ALLUMEZ TOUJOURS LA VEILLEUSE, QUE CE SOIT POUR LA PREMIÈRE FOIS OU LORSQUE L'APPROVISIONNEMENT EN GAZ EST ÉPUISÉ, AVEC LA PORTE VITRÉE OUVERTE OU RETIRÉE.

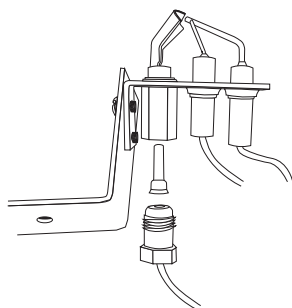
COUPEZ L'ALIMENTATION EN GAZ ET L'ALIMENTATION ÉLECTRIQUE AVANT DE PROCÉDER À L'ENTRETIEN DE L'APPAREIL.

L'APPAREIL PEUT ÊTRE CHAUD. N'EFFECTUEZ AUCUN ENTRETIEN JUSQU'À CE QUE L'APPAREIL SOIT REFROIDI.

N'UTILISEZ PAS DE NETTOYANTS ABRASIFS.

FR

SYMPTÔME	PROBLÈME	SOLUTIONS
La veilleuse ne s'allume pas.	Filage.	- Vérifiez si le fil « S » pour la sonde et le fil « I » pour l'allumeur sont raccordés aux bonnes bornes (non inversés) sur le module d'allumage et l'assemblage de la veilleuse.
Il y a du bruit, mais aucune étincelle au brûleur de la veilleuse.	Connexion desserrée.	- Vérifiez qu'il n'y ait pas de connexions desserrées, de courts-circuits dans le filage ou des contacts avec des objets métalliques.
	Module d'allumage.	- Mettez l'interrupteur MARCHE/ARRÊT à « OFF ». Retirez le fil d'allumage « I » du module. Mettez l'interrupteur MARCHE/ARRÊT à « ON ». Tenez un fil mis à la terre à environ 3/16" (4.8mm) de la borne « I » sur le module. S'il n'y a pas d'étincelle, la borne « I » du module doit être remplacée. S'il y a une étincelle, la borne « I » fonctionne bien. Inspectez l'assemblage de la veilleuse pour un fil causant un court-circuit ou un isolateur craqué autour de l'électrode.
	La longueur de l'étincelle est incorrecte.	- La longueur de l'étincelle de l'allumeur à la veilleuse devrait être de 0,17" ou 1/8" (3.2mm).
	Transformateur.	- Vérifiez si le transformateur est installé et branché dans le module. Vérifiez le voltage du transformateur sous tension aux connexions sur le module avec l'interrupteur MARCHE/ARRÊT à « ON ». Les lectures acceptables d'un bon transformateur se situent entre 3,2 et 2,8 volts C.A.
	Système de dépannage à piles (s'il y a panne de courant)	- Vérifiez les piles
	Une connexion desserrée ou causant un court-circuit.	- Retirez et réinstallez le harnais de fils qui se branche dans le module. Retirez et vérifiez la continuité de chaque fil dans le harnais de fils.
	Filage d'interrupteur inapproprié.	- Réparez le système avec un simple interrupteur MARCHE/ARRÊT.
	Le module n'est pas mis à la terre.	- Vérifiez si les assemblages de la veilleuse et de la soupape sont bien mis à la terre au niveau du châssis métallique de l'appareil ou de l'ensemble de bûches.
Étincelle à la veilleuse, mais celle-ci ne s'allume pas.	Alimentation en gaz.	- Vérifiez si la soupape à bille de la conduite d'arrivée du gaz est « Ouverte ». Vérifiez si la pression d'arrivée est dans les limites acceptables. La pression d'arrivée ne doit pas excéder 14" de colonne d'eau (34.9mb).
	Plus de propane.	- Remplissez le réservoir.



SYMPTÔME	PROBLÈME	SOLUTIONS
Du carbone se dépose sur la vitre, les bûches, les roches, les composants décoratifs ou les parois de la chambre de combustion.	Le volet d'air est bloqué.	- Assurez-vous que l'ouverture du volet d'air n'est pas bloquée par des fibres ou autres obstructions.
	Les flammes effleurent la vitre, les bûches, les roches, les composants décoratifs ou la chambre de combustion.	- Vérifiez si la vitre, les bûches, les roches ou les composants décoratifs sont positionnés correctement. - Augmentez l'ouverture du volet d'air pour augmenter le volume d'air primaire. - Vérifiez le débit d'alimentation : vérifiez que la pression du collecteur et la grandeur de l'injecteur sont telles que spécifiées sur la plaque d'homologation. - Vérifiez si les joints de la porte ne sont pas brisés ou manquants et qu'ils sont étanches. - Vérifiez que les deux conduits d'évent ne sont pas troués et qu'ils sont bien scellés à tous les joints. - Vérifiez si l'élévation minimale par pied est conforme pour toute évacuation horizontale.
Continue de produire des étincelles et la veilleuse s'allume, mais le brûleur principal ne s'allume pas.	Court-circuit ou connexion desserrée dans la tige de la sonde.	- Vérifiez toutes les connexions. Vérifiez si les connexions de l'assemblage de la veilleuse sont serrées; vérifiez aussi si ces connexions ne causent pas de mise à la terre au niveau du métal.
	Mauvais redressement du courant de la flamme ou tige de sonde contaminée.	- Vérifiez si la flamme enveloppe la tige de la sonde. Ceci augmentera le redressement du courant de la flamme. Vérifiez si le bon injecteur de veilleuse est installé et que l'alimentation en gaz est conforme aux spécifications du manuel. (Souvenez-vous que la flamme transporte le courant redresseur et non le gaz. Si la flamme se détache de la hotte, le circuit est rompu. Un mauvais injecteur ou une pression d'arrivée trop élevée peut causer la flamme de la veilleuse à se détacher.) La tige de la sonde a possiblement besoin d'être nettoyée.
	Mauvaise mise à la terre entre l'assemblage de la veilleuse et la soupape de gaz.	- Vérifiez si le harnais de fils est solidement branché au module. Vérifiez si l'isolateur de céramique autour de la sonde est craqué, endommagé ou desserré. Vérifiez la connexion de la tige de la sonde au fil de la sonde.
	Veilleuse endommagée ou tige de sonde salie.	- Nettoyez la tige de la sonde avec une toile d'émeri afin d'enlever toute contamination qui ait pu s'accumuler sur la tige de la sonde. Vérifiez la continuité avec un multimètre réglé sur Ohms au calibre le plus bas.
La veilleuse s'allume. Arrête de produire des étincelles/la veilleuse reste allumée, mais le brûleur ne s'allume pas.	Filage/connexion.	- Inspectez tous les fils, assurez-vous que les connexions sont bien serrées. Vérifiez si tout le filage est installé exactement tel que spécifié.
	Harnais de fils.	- Inspectez le harnais de fils et vérifiez qu'il soit solidement branché au module. Vérifiez que tous les fils sont branchés dans le bon ordre. Voir la section « SCHÉMA DE CÂBLAGE ».
On détecte l'odeur des gaz de combustion dans la pièce; maux de tête.	L'appareil refoule les gaz de combustion dans la pièce.	- Vérifiez tous les joints scellés. - Vérifiez si l'odeur de gaz n'entre pas par une porte ou une fenêtre ouverte.

21.0 GARANTIE

Les produits Napoléon® sont fabriqués conformément aux normes strictes du Certificat d'Assurance de la Qualité mondialement reconnu ISO 9001 : 2008.

Les produits Napoléon® sont conçus avec des composants et des matériaux de qualité supérieure, assemblés par des artisans qualifiés qui sont fiers de leur travail. Le brûleur et le montage de la soupape subissent un test de détection de fuite et d'allumage à une station de test de qualité. Une fois assemblé, chaque appareil est soigneusement inspecté par un technicien qualifié avant d'être emballé pour garantir que vous, le client, recevez le produit de qualité dont vous attendez de Napoléon®.

GARANTIE À VIE LIMITÉE DU PRÉSIDENT DES APPAREILS AU GAZ NAPOLÉON®

Les matériaux suivants et la fabrication de votre nouveau appareil au gaz Napoléon® sont garantis contre les défauts tant que vous en êtes le propriétaire. Ceci couvre : la chambre de combustion, l'échangeur de chaleur, le brûleur en acier inoxydable, les bûches PHAZER® et les braises, les roches, la vitre en céramique (cassure thermique seulement), les pièces plaquées or contre le ternissement, les composants en porcelaine émaillée et les moulures d'extrusion en aluminium.*

Les composants électriques (110V et millivolt) et les pièces soumises à l'usure tels que les souffleries, les soupapes de gaz, l'interrupteur thermique, les interrupteurs, l'installation électrique, les télécommandes, l'allumeur, les joints d'étanchéité et l'assemblage de la veilleuse sont couverts et NAPOLÉON® fournira gratuitement les pièces de rechange durant la première année de la garantie limitée.*

Les coûts de main-d'oeuvre relatifs aux réparations garanties sont couverts gratuitement durant la première année. Cependant, les travaux de réparation nécessitent l'approbation préalable d'un représentant autorisé de la compagnie. Les coûts de main-d'oeuvre à la charge de Napoléon® sont basés sur un programme de tarifs prédéterminé et tout travail de réparation doit être accompli par l'entremise d'un représentant autorisé Napoléon®.

* La fabrication de chaque modèle varie. La garantie s'applique uniquement aux composants disponibles avec votre appareil.

FR

CONDITIONS ET LIMITATIONS

NAPOLÉON® garantit ses produits contre les défauts de fabrication à l'acheteur d'origine seulement. L'enregistrement de la garantie n'est pas nécessaire. Fournissez simplement une preuve d'achat ainsi que le modèle et le numéro de série afin d'effectuer une réclamation de garantie. Napoléon® se réserve le droit de demander à son représentant d'inspecter tous produits ou pièces avant d'honorer toute réclamation. L'achat doit avoir été fait par l'entremise d'un détaillant NAPOLÉON® autorisé et sous réserve des conditions et limitations suivantes :

La couverture de la garantie débute à partir de la date d'installation originale.

Cette garantie du fabricant n'est pas transférable et ne peut être prolongée ou étendue par aucun de nos représentants quelle qu'en soit la raison.

L'appareil au gaz doit être installé par un installateur ou entrepreneur qualifié. L'installation doit être faite conformément aux instructions d'installation incluses avec le produit et à tous les codes d'incendie et de construction locaux et nationaux.

Cette garantie limitée ne couvre pas les dommages causés par un mauvais usage, un manque d'entretien, un accident, des altérations, des abus ou de la négligence et l'installation de pièces d'autres fabricants annulera cette garantie.

Cette garantie limitée ne couvre pas non plus les égratignures, les bossellements, la corrosion ou la décoloration causés par une chaleur excessive, des produits d'entretien chimiques et abrasifs ou l'écaillage des pièces en porcelaine émaillée, le bris par manipulation des bûches PHAZER® et des braises.

NAPOLÉON® garantit à vie ses brûleurs en acier inoxydable contre les défauts de fabrication et de matériau sous réserve des conditions suivantes : durant les dix premières années, NAPOLÉON® remplacera ou réparera selon notre option les pièces défectueuses gratuitement. Après les dix premières années, NAPOLÉON® fournira les brûleurs de rechange à 50 % du prix de détail courant.

Au cours de la première année seulement, cette garantie s'applique à la réparation ou au remplacement des pièces garanties dont les matériaux ou la fabrication sont défectueux à la condition que le produit ait été utilisé conformément aux instructions de fonctionnement et dans des conditions normales.

Après la première année, concernant cette Garantie à Vie Limitée du Président, NAPOLÉON® peut, à sa discrétion, se libérer entièrement de toutes obligations en ce qui concerne cette garantie en remboursant à l'acheteur d'origine le prix de gros de toute pièce garantie qui est défectueuse.

NAPOLÉON® ne sera pas responsable de l'installation, de la main-d'oeuvre ou autres dépenses relatives à la réinstallation d'une pièce garantie et de telles dépenses ne sont pas couvertes par cette garantie.

Nonobstant toutes les dispositions contenues dans cette Garantie à Vie Limitée du Président, la responsabilité de NAPOLÉON® sous cette garantie est définie comme ci-dessus et elle ne s'appliquera à aucun dommage accidentel, consécutif ou indirect.

Cette garantie définit l'obligation et la responsabilité de NAPOLÉON® en ce qui concerne l'appareil au gaz Napoléon®. Toute autre garantie énoncée ou implicite en ce qui concerne ce produit, ses composants ou accessoires est exclue.

NAPOLÉON® n'endosse ni n'autorise aucun tiers à assumer en son nom, toute autre responsabilité concernant la vente de ce produit. NAPOLÉON®

ne sera pas responsable d'une surchauffe, des refoulements, des déversements causés par des conditions environnementales telles que des toits, des bâtiments, la proximité d'arbres, de collines, de montagnes, une ventilation ou des événements inadéquats, une configuration d'évacuation excessive, un apport d'air insuffisant ou des pressions négatives qui peuvent ou non être causés par des systèmes mécaniques tels que les ventilateurs d'évacuation, les fournaises, les sècheuses de linge, etc.

Tout dommage causé à l'appareil, à la chambre de combustion, à l'échangeur de chaleur, aux garnitures plaquées ou autres composants par l'eau, les dommages causés par les intempéries, de longues périodes d'humidité, la condensation, des produits chimiques ou produits d'entretien nuisibles ne seront pas la responsabilité de NAPOLÉON®.

Toutes les pièces remplacées en vertu de la politique de Garantie à vie limitée du Président ne peuvent faire l'objet que d'une seule réclamation.

Durant les dix premières années, NAPOLÉON® remplacera ou réparera les pièces défectueuses qui sont couvertes par la garantie à vie limitée à sa discrétion gratuitement. Après les dix premières années, NAPOLÉON® fournira les pièces de rechange à 50 % du prix de détail courant.

Toutes les pièces remplacées au titre de la garantie seront couvertes pour une période de 90 jours à partir de leur date d'installation.

Le fabricant peut exiger que les pièces défectueuses ou les produits soient retournés ou que des photos numériques soient fournies pour valider la réclamation. Les produits retournés doivent être expédiés port payé au fabricant pour une inspection en usine. Si un produit est déclaré défectueux, le fabricant le réparera ou le remplacera.

Avant d'expédier votre appareil ou les pièces défectueuses, votre détaillant doit obtenir un numéro d'autorisation. Toute marchandise expédiée à notre usine sans autorisation sera refusée et retournée à l'expéditeur.

Les coûts d'expédition ne sont pas couverts par cette garantie.

Des frais de service supplémentaires peuvent être appliqués si vous cherchez à obtenir des services au titre de la garantie auprès d'un détaillant. Les indemnités de main-d'oeuvre au titre de la garantie s'appliquent uniquement pour le remplacement d'une pièce garantie. Les frais de déplacement, de tests de diagnostic, d'expédition et autres frais afférents ne sont pas couverts par cette garantie.

TOUTES LES SPÉCIFICATIONS ET LES CONCEPTIONS SONT SUJETTES À MODIFICATIONS SANS PRÉAVIS EN RAISON DES AMÉLIORATIONS CONSTANTES APPORTÉES AUX PRODUITS. NAPOLÉON® EST UNE MARQUE DE COMMERCE DÉPOSÉE DE WOLF STEEL LTÉE.

COMME EXIGÉ PAR LE MINISTÈRE DE L'ÉNERGIE AUX ETATS-UNIS, 10 CFR SÉPARE 430, LA GARANTIE EST VIDE SI CE PRODUIT EST UTILISÉ AVEC UN THERMOSTAT. CECI S'APPLIQUE AU PRODUIT SEULEMENT INSTALLÉ AUX ETATS-UNIS.

2.1C

Autres produits Napoléon®



Foyers encastrés • Grils au charbon de bois • Foyers au gaz • Cascades d'eau
Poêles à bois • Produits HVAC • Foyers électriques • Foyers extérieurs • Grils à gaz de qualité



7200, Route Transcanadienne, Montréal, Québec H4T 1A3
24 Napoleon Road, Barrie, Ontario, Canada L4M 0G8
214 Bayview Drive, Barrie, Ontario, Canada L4N 4Y8
103 Miller Drive, Crittenden, Kentucky, USA 41030

Foyers / Chauffage et Climatisation / Grils composez : 514-737-6294
napoleonproducts.com