

INSTALLER:

THESE INSTRUCTIONS  
MUST BE CONVEYED TO  
AND REMAIN WITH THE  
HOMEOWNER.

CERTIFIED UNDER CANADIAN  
AND AMERICAN NATIONAL  
STANDARDS, CAN/CGA 222-  
M86 AND Z21.506-1988 RES-  
PECTIVELY/VENTED DECORA-  
TIVE GAS APPLIANCES.



## FIREPLACES

GAS - INSERT

NATURAL GAS MODEL: 2113N

PROPANE GAS MODEL: 2113P

### INSTALLATION AND OPERATION INSTRUCTIONS FOR LISTED VENTED DECORATIVE GAS APPLIANCE

Gas - Zero Clearance when Installed with GI-600 kit;  
without the GI-600 kit, Install recessed into a woodburning  
NON-COMBUSTIBLE FIREPLACE.

**WARNING:** Improper installation, adjustment, alteration, service or maintenance can cause injury or property damage. Refer to this manual for correct installation and operation procedures. For assistance or additional information consult a qualified installer, service agency or the gas supplier.

#### FOR YOUR SAFETY

DO NOT STORE OR USE GASOLINE OR  
OTHER FLAMMABLE VAPOURS AND  
LIQUIDS IN THE VICINITY OF THIS OR ANY  
OTHER APPLIANCE.



Tested to ANSI/AGA methods



#### FOR YOUR SAFETY

##### WHAT TO DO IF YOU SMELL GAS:

- TURN OFF MAIN GAS SUPPLY.
- OPEN WINDOWS.
- DO NOT TRY TO LIGHT ANY APPLIANCE.
- DO NOT TOUCH ANY ELECTRICAL SWITCH; DO NOT USE ANY PHONE IN YOUR BUILDING.
- IMMEDIATELY CALL YOUR GAS SUPPLIER FROM A NEIGHBOUR'S PHONE. FOLLOW THE GAS SUPPLIER'S INSTRUCTIONS.
- IF YOU CANNOT REACH YOUR GAS SUPPLIER, CALL THE FIRE DEPARTMENT.

MANUFACTURED BY: **WOLF STEEL LTD., R.R.#1 BARRIE, ONTARIO,  
CANADA, L4M 4Y8 (705)721-1212, FAX (705)722-6031.**

WS-415-2/6.7.90

## TABLE OF CONTENTS

1. Warranty
2. General Instructions, Cautions and Information
3. Framing
4. Dimensional Specifications
5. Blower System
6. Installation
7. Log Placement Instructions
8. Log Curing
9. Operating Instructions
10. Pilot Burner Adjustment
11. Venturi Air Shutter Adjustment
12. Shutdown Instructions
13. Maintenance
14. Trouble Shooting Guide
15. Ordering Procedures
16. Replacement Parts List



### NAPOLEON 25 YEARS LIMITED WARRANTY

Wolf Steel Ltd. warrants its NAPOLEON GAS FIREPLACE against manufacturing defects to the original purchaser only, subject to the following conditions:

1. Wolf Steel Ltd. will provide replacement parts free of charge during the first year of the Limited Warranty except plated finishes, glass and logs.  
All repair work, however, requires the prior approval of an authorized company official. Labour costs for account of Wolf Steel Ltd. shall not exceed the retail price of the replacement parts.
2. Wolf Steel Ltd. will provide replacement parts during the second through the fifth year of the Limited Warranty free of charge except the refractory, electrical components, logs, gas valve, pilot assembly, burner assembly, ignitor, glass, fan, log retainer and plated finishes. Wolf Steel Ltd. will not be responsible for any labour costs in connection with those replacement parts.
3. Wolf Steel Ltd. will provide replacement parts (if available) at 50% of the retail price during the sixth through the twenty-fifth year of the Limited Warranty except the glass, fan, logs, electrical components, gas valve, pilot assembly, burner assembly, ignitor, and plated finishes. Wolf Steel Ltd. will not be responsible for any labour costs in connection with those replacement parts.

This Limited Warranty does not cover damages caused by misuse and is further conditional upon the correct installation and the intended use of our product.

The vent system is not included in the Limited Warranty but is separately covered by the chimney manufacturer's Limited Warranty.

This Limited Warranty may not be extended whatsoever by any of our representatives.

## IMPORTANT

KEEP THE ORIGINAL INVOICE SINCE A PHOTOCOPY OF  
IT WILL BE REQUIRED IN CASE OF CLAIM.

**PLEASE RETAIN THIS MANUAL FOR FUTURE REFERENCE**

## **2. GENERAL INSTRUCTIONS**

**This gas appliance should be installed and serviced by a qualified installer and must conform to local codes.** In the absence of local codes, install to the current CAN1-B149 Installation Code in Canada or to the National Fuel Gas Code, ANSI Z223.1-1988, and Addenda, Z 223.1a-1987/NFPA 54-1984 in the United States.

The appliance and its individual shutoff valve must be disconnected from the gas supply piping system during any pressure testing of that system at test pressures in excess of 1/2 psig (3.5 kPa).

The appliance must be isolated from the gas supply piping system by closing its individual manual shutoff valve during any pressure testing of the gas supply piping system at test pressures equal to or less than 1/2 psig (3.5 kPa).

An 1/8 inch N.P.T. plug, accessible for test gauge connection, must be installed immediately upstream of the gas supply connection to the appliance.

This appliance can be installed two different ways. If installed as is, it must be installed in a vented non-combustible woodburning fireplace only. This is referred to as an INSERT type of installation. The minimum fireplace size in which the appliance is to be installed is:

Height	21 inches
Width	24 inches
Depth	16 inches
Flue size	4 inch diameter

If installed in conjunction with kit No. GI-600, it may be framed into an enclosure made of combustible materials. This is referred to as a ZERO CLEARANCE type of installation. The minimum clearance to combustible construction in this form of installation is:

Sides	0 inches
Back	0 inches
Bottom	0 inches
Top	0 inches
B-Vent	1 inch
Recessed Depth	18 inches

When the appliance is installed directly on carpeting, tile or combustible material other than wood flooring, the appliance must be installed on a metal or wood panel extending the full width and depth of the appliance.

The appliance, when installed, must be electrically connected and grounded in accordance with local codes. In the absence of local codes, use the current CSA C22.1 CANADIAN ELECTRICAL CODE in Canada or the ANSI/NFPA 70-1987 NATIONAL ELECTRICAL CODE in the United States.

Provide adequate ventilation and combustion air. Provide adequate accessibility clearance for servicing and operating the appliance.

Never obstruct the front opening of the fireplace.

**WARNING: THE FIREPLACE IS A DECORATIVE GAS APPLIANCE. DO NOT BURN WOOD OR OTHER MATERIALS IN THIS FIREPLACE.**

Adults and especially children should be alerted to the hazards of high surface temperatures and should stay away to avoid burns or clothing ignition. Supervise young children when they are in the same room as the fireplace.

Due to high temperatures, the fireplace should be located out of traffic and away from furniture and draperies. Clothing or other flammable material should not be placed on or near the appliance.

THE GLASS DOOR MUST BE IN PLACE WHEN THE APPLIANCE IS OPERATING. Any safety screen or guard removed for servicing must be replaced prior to operating the appliance.

**IT IS IMPERATIVE THAT THE CONTROL COMPARTMENTS, BURNERS AND CIRCULATING AIR PASSAGeways OF THE APPLIANCE AND VENTING SYSTEM ARE KEPT CLEAN. THE APPLIANCE AND ITS VENTING SYSTEM SHOULD BE INSPECTED BEFORE USE AND AT LEAST ANNUALLY BY A QUALIFIED SERVICE PERSON. MORE FREQUENT CLEANING MAY BE REQUIRED DUE TO EXCESSIVE LINT FROM CARPETING, BEDDING MATERIAL ETC. THE APPLIANCE AREA MUST BE KEPT CLEAR AND FREE OF COMBUSTIBLE MATERIALS, GASOLINE AND OTHER FLAMMABLE VAPOURS AND LIQUIDS.**

**THIS APPLIANCE MUST NOT BE CONNECTED TO A CHIMNEY FLUE SERVING A SEPARATE SOLID FUEL BURNING APPLIANCE.**

**UNDER NO CIRCUMSTANCES SHOULD THIS APPLIANCE BE MODIFIED.**

This appliance is not intended for use with a thermostat.

Maximum Input is 18,000 BTU/HR.

Minimum Inlet gas supply pressure is 4.5 inches water column natural gas and 11.0 inches water column propane.

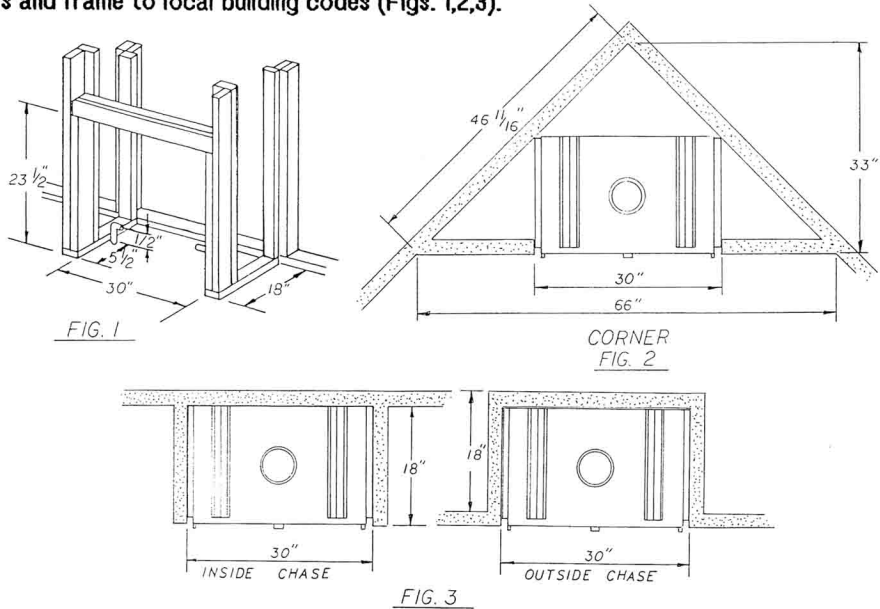
Maximum inlet gas pressure is 7.0 inches water column natural gas and 13.0 inches water column propane.

Manifold pressure under flow conditions is 3.5 inches water column natural gas and 10.0 inches water column propane.

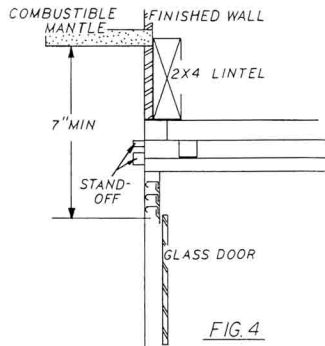
No electrical current is required for the gas system operation. The self generating pilot provides current for a remote burner On-Off switch.

### 3. FRAMING

The fireplace when installed in conjunction with kit No. GI-600, may be framed into an enclosure. It is best to frame your fireplace after it is positioned and the B-vent installed. Use 2x4's and frame to local building codes (Figs. 1,2,3).



**NOTE:** The header may rest on the top metal spacers but must not be notched to fit around them. To install the fireplace facing flush with the finished wall, position the framework to accommodate the thickness of the finished wall (Fig. 4).

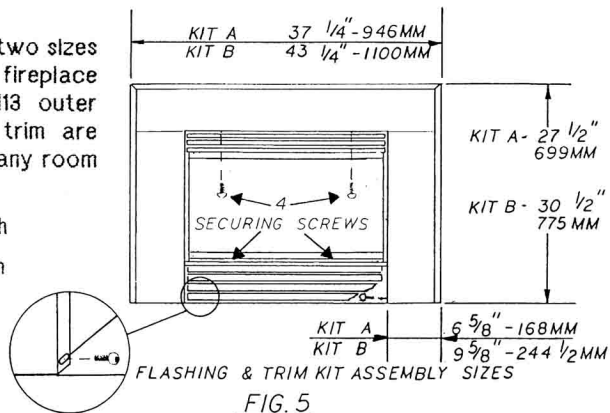


A combustible mantle shelf projecting at a maximum of 8 inches from the wall may be installed at a minimum distance of 7 inches above the glass door. It is not necessary to install a hearth extension with this fireplace system.

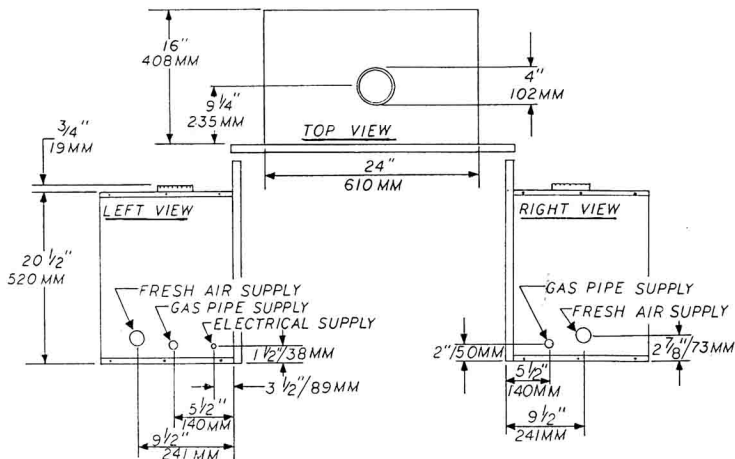
The appliance can be equipped with two sizes of flashings to close off many fireplace openings. Mount flashings inside 2113 outer shell. (Fig. 5). The flashings and trim are available in many finishes to accent any room decor. The sizes are:

Flashing kit A - 37" wide x 27 1/4" high

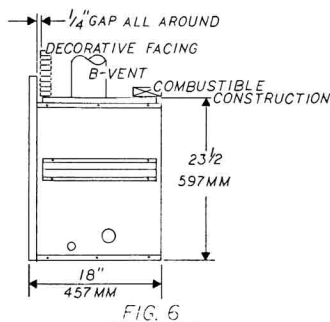
Flashing kit B - 43" wide X 30 1/4" high



#### 4. DIMENSIONAL SPECIFICATIONS - INSERT ONLY



ZERO CLEARANCE ONLY (Model 2113 installed with kit GI-600): A minimum 1/4" air gap must be maintained after decorative flashing is installed (Fig. 6).

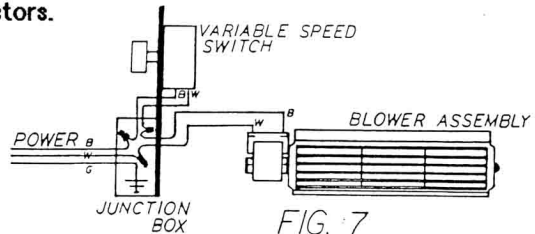


## 5. BLOWER SYSTEM

The Napoleon gas fireplace insert comes standard with a blower and a variable speed control.

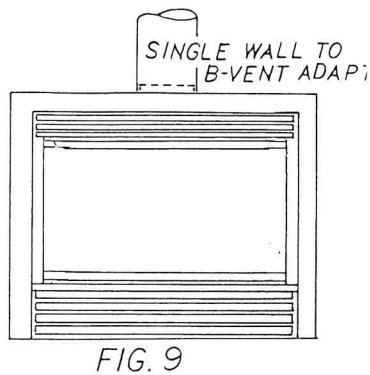
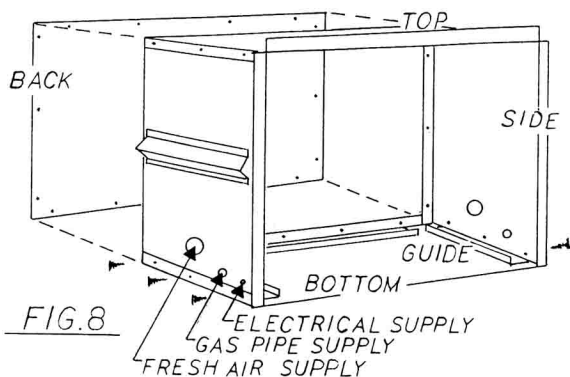
### BLOWER REMOVAL INSTRUCTIONS

- Turn off gas and electric power.
- Remove glass door.
- Remove logs and glass door sill.
- Remove louvered control door.
- Remove four screws from combustion chamber (behind burner).
- Slide burner and gas train assembly tray forward. (It may be necessary to disconnect the gas from the valve to do this.)
- Disconnect electrical connectors.
- Remove blower.



## 6. INSTALLATION

1. **INSERT ONLY:** Remove or lock damper open. Line chimney with a 4 inch diameter single wall vent.  
NOTE: Refer to vent manufacturer's Installation Instructions.
2. Move insert into position and attach to the vent system.
3. Outside air can be routed to either the left or the right side of the insert. Three inch diameter holes are provided as a connection point. A fresh air kit and adapter collar are
4. (a) **ZERO CLEARANCE ONLY (MODEL 2113 INSTALLED WITH GI-600 KIT):** From the outside, fasten the two sides to the bottom with sheet metal screws provided (Fig. 8)  
(b) Next attach the top and back to the assembly.  
(c) Install the shell into the location required and fasten with four screws to the floor.  
(d) Frame around the shell. (See the section entitled "Framing".)  
NOTE: Combustible materials cannot protrude beyond the shell. Make allowances for the facing when framing the enclosure (Figs. 4,6).  
(e) Slide the appliance into the shell, centering the unit between the guides (Fig.8).



- (f) Line up the shell and the appliance flue holes and attach a single wall to the B-vent adapter on the appliance (Fig. 9).
  - (g) Install a 4 inch B-vent to the adapter and connect to the outside (Fig. 6).
- NOTE: Refer to the vent manufacturer's installation instructions.
- (h) If the electrical connections for the blower are to be hard wired, the appliance must be connected to the main electrical power source at this time. Route a 14 gauge 2 wire power cable to the junction box and ground.
5. Route a 1/2" N.P.T. black iron pipe, line or equivalent, to the fireplace.
  6. Install the remote wall switch in a convenient location and route the 18 gauge millivolt wire through the opposite gas pipe supply line hole and into the control compartment or install directly into the control compartment beside the piezo ignition knob (Figs. 10, 11).

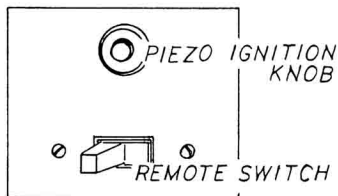


FIG. 10

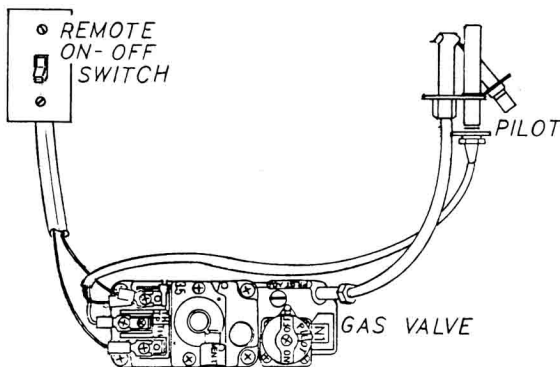


FIG. 11

7. Install, if local codes permit, a 3/8" flex connector 12" in length (24" in length, if the gas supply line is installed on the left side) with a 3/8" to 1/2" adapter and shut-off valve to the 1/2" gas line. Use a pipe wrench and joint compound. Tighten securely (Fig. 12).
8. Attach a 3/8" adapter fitting to the gas control valve using a wrench and pipe joint compound. Tighten securely (Fig. 12). Carefully bend the flex connector and make a good connection to the adapter in the gas valve. Tighten securely.

NOTE: DO NOT DAMAGE OR KINK FLEX CONNECTOR.

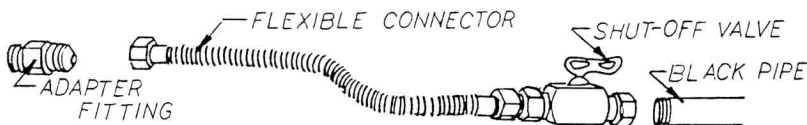


FIG. 12

9. Check for gas leaks with soap and water solution. DO NOT USE OPEN FLAME.
10. Attach the remote millivolt wall switch wiring to the gas control valve (Fig. 11).

NOTE: DO NOT WIRE REMOTE WALL SWITCH TO MAIN POWER SUPPLY.

## **7. LOG PLACEMENT INSTRUCTIONS**

1. Place the large straight back log onto the threaded rods. A space of 1/4" should be maintained between the log and the thermocouple. Adjust if necessary with nuts provided.
2. Place the large curved front log onto the main burner, pushing it against the burner tower. The left and right spacing between the log ends and the burner ports should be equal.
3. Set the right and left smaller logs into the pockets and grooves of the front and back logs, respectively.

THE APPEARANCE OF HAIRLINE CRACKS IN THE LOGS IS NORMAL AND DOES NOT AFFECT THE SAFETY OF THE OPERATION.

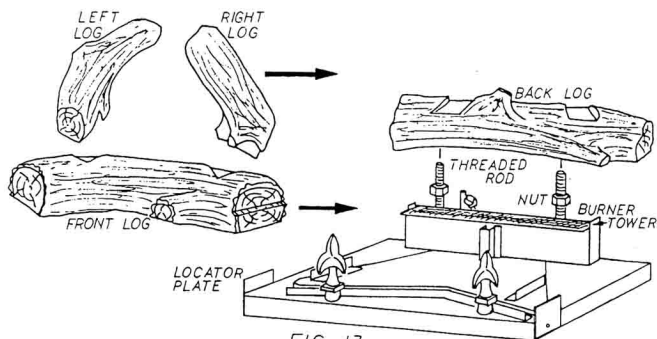


FIG. 13

## **8. LOG CURING**

**WARNING:** Before you start operating your fireplace, the ceramic logs need to be cured. Please follow the instructions carefully to avoid large cracks in the logs:

1. Make sure the logs sit properly on the burner.
2. Fire the fireplace for 5 minutes only, turn the main burner and pilot light off.
3. Wait a minimum of one hour to let the logs cure.
4. Fire the fireplace for 10 minutes, then turn the main burner and pilot light off.
5. Wait a minimum of 2 hours to let the logs cure again.
6. Fire the fireplace for 30 minutes then turn the main burner and pilot light off again.
7. Wait for a minimum of six hours to let the logs cure.

Now your logs are fully cured and ready for normal use. Hairline cracks could still develop but are a normal condition and do not affect the safety of the log set.

The logs can be painted in any colour, lighter or darker, using high temperature paint (Thurmolox). Dark painted logs may be highlighted with high temperature gold or silver paint to create an attractive glow effect.

## **9. OPERATING INSTRUCTIONS**

When lighting and relighting, the gas knob cannot be turned from "pilot" to "off" unless the knob is depressed.

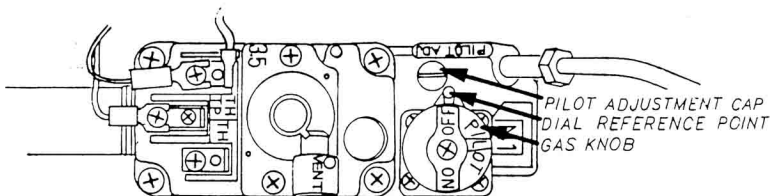
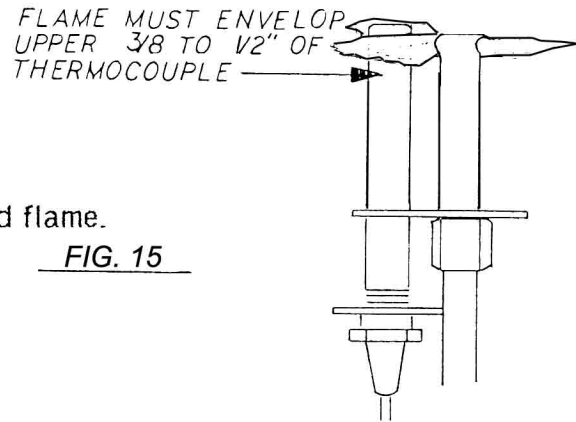


FIG. 14

1. Turn the valve knob to the "off" position and allow 5 minutes for any gas in the combustion chamber to escape.
2. Turn the valve knob to "pilot" position.
3. Depress and hold the valve knob while pushing the push button ignitor. Keep the knob fully depressed for one minute. Release the valve knob. Pilot flame should continue to burn. If the burner does not remain lit, repeat the operation.
4. When the pilot stays lit, turn the valve knob counter clockwise to "on" position.
5. If your appliance is equipped with a remote "on-off" switch, the main burner may not come on when you turn the gas valve to "on". The remote switch must be in the "on" position as well to ignite the main burner.

## **10. PILOT BURNER ADJUSTMENT**

1. Remove the pilot adjustment cap.
2. Adjust the pilot screw to provide properly sized flame.
3. Replace the pilot adjustment cap.

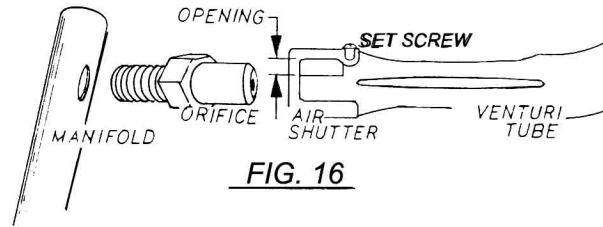


## **11. VENTURI AIR SHUTTER ADJUSTMENT**

**NATURAL GAS MODELS:** Air shutter adjustment is not required or possible. Primary air is introduced only where the orifice inserts into the burner venturi.

**PROPANE GAS MODELS:** Air shutters are set closed at the factory. Opening the air shutter reduces carboning conditions. Some installations may require the air shutter to be opened to improve burner combustion characteristics (Fig.16).

**NOTE: AIR SHUTTER ADJUSTMENT MUST ONLY BE DONE BY A QUALIFIED GAS INSTALLER!**



## **12. SHUT DOWN INSTRUCTIONS**

1. To turn the main burner off only, turn the valve knob to the "pilot" position.
2. For pilot shutdown, slightly depress valve knob, turn to "off" position.

**NOTE:** When lit for the first time, the appliance will emit a slight odour for one or two hours. This is due to the curing of the logs and "burn in" of internal paints and lubricants used in the manufacturing process. This condition is temporary. Open doors and windows to ventilate the room(s) sufficiently, if required.

## **13. MAINTENANCE INSTRUCTIONS**

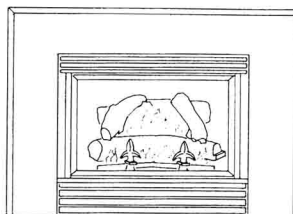
**IMPORTANT:** Turn off gas and electrical power before servicing the appliance.

This appliance and the venting system should be inspected before use and at least annually by a qualified service person.

The appliance area must be kept clear and free of combustible materials, gasoline or other flammable vapours and liquids.

The flow of combustion and ventilation air for the appliance must not be obstructed.

1. In order to properly clean the burner and pilot assemblies, remove the logs exposing both assemblies.
2. Keep the control compartment, logs, burner and the area surrounding the logs clean by vacuuming or brushing, at least once a year.
3. Check to see that all burner ports are burning. Clean out any of the ports which may not be burning or are not burning properly (Fig. 17).
4. Check to see that the pilot flame is large enough to engulf the generator on one leg and reaches toward the burner on the other leg (Fig. 16).
5. Replace cleaned logs.
6. Check to see that the main burner ignites completely on all openings when the switch for the burner is turned on.



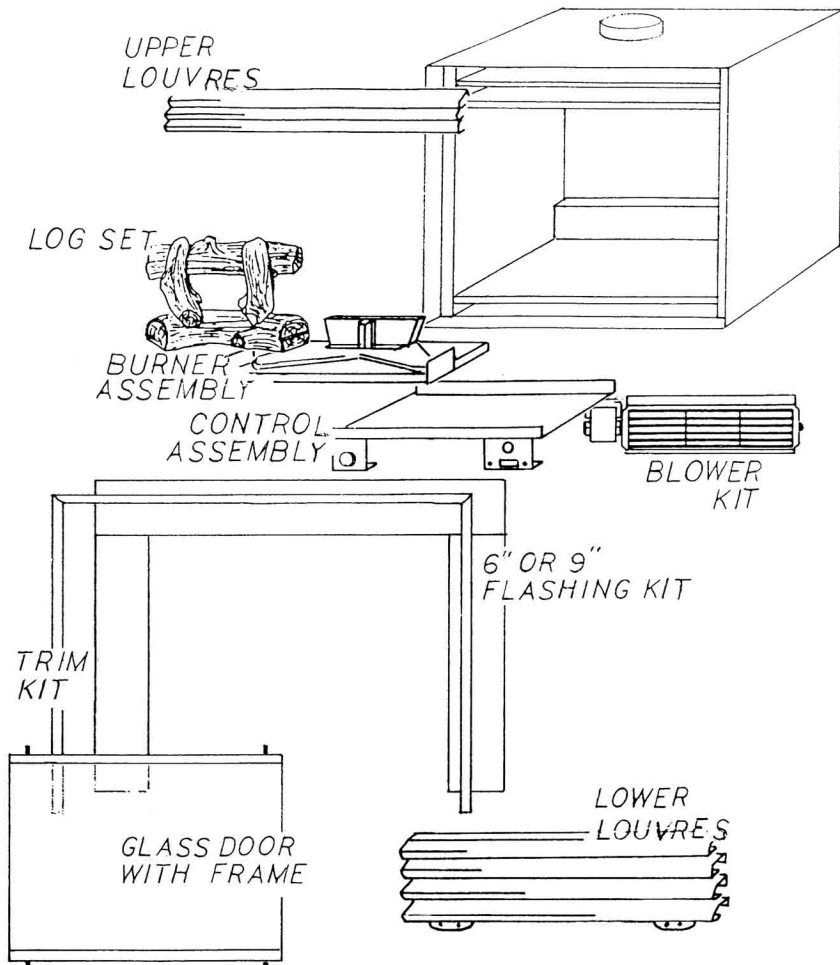
GENERAL FLAME PATTERN OF FRONT & MAIN BURNER

FIG. 17

## 14. TROUBLE SHOOTING GUIDE

<u>SYMPTOM</u>	<u>PROBLEM</u>	<u>TEST SOLUTION</u>
pilot goes out when gas knob is released	A - system not correctly purged	- purge gas line
	B - out of gas ( propane)	- fill tank
	C - pilot flame is not large enough	- turn up pilot flame
	D - pilot flame is not engulfing the generator (thermopile/thermocouple)	- gently twist pilot head to improve flame pattern around the generator (thermopile/thermocouple)
	E - generator shorting	- clean the generator and valve terminals - check that the thermopile insulation is not frayed and grounding out on the fireplace housing or burner support
	F - faulty generator	- replace generator
	G - faulty valve	- replace valve

<u>SYMPTOM</u>	<u>PROBLEM</u>	<u>TEST SOLUTION</u>
main burner goes out, pilot stays on	<p>A - pilot flame not large enough or not engulfing generator</p> <p>B - generator shorting</p> <p>C - remote wall switch wire is too long, too much resistance in the system</p>	<p>- turn up pilot flame / gently twist plk head to improve the flame patte around the generator</p> <p>- see point "E" above</p> <p>- shorten wall switch wire length to 20f use 18 gauge solid core wire</p>
(remote millivolt system) remote wall switch in off position, main burner comes on when the gas knob is turned to the "on" position	<p>A - wall switch mounted upside down</p> <p>B - remote wall switch is grounding</p> <p>C - remote wall switch wire is grounding</p> <p>D - faulty valve</p>	<p>- reverse wire connections</p> <p>- replace remote wall switch</p> <p>- check for ground (short), repair ground or replace wire</p> <p>- replace valve</p>
carbon is being deposited on glass, logs or combustion chamber surfaces	A - flame is impinging on the logs or combustion chamber	<p>- move log to stop flame impingement</p> <p>- (propane) open air shutter to increase primary air</p> <p>- check input rate: check manifold pressure and orifice size as specified by the rating plate valves</p>
main burner flame is a small blue flame	<p>A - Insufficient secondary air</p> <p>B - downdraft or blockage in chimney</p>	<p>- increase fresh air supply (open door, window, add make-up air supply)</p> <p>- remove chimney blockage</p> <p>- check that chimney is installed to building code (3 feet above roof line or 2ft higher than roof surface or structure within 10ft radius of chimney)</p>
exhaust fumes smelled in room, headaches	A - fireplace is spilling	<p>- Increase flue size of chimney</p> <p>- check for chimney blockage</p> <p>- check that chimney is installed to building code</p> <p>- reduce number of elbows in the chimney system (avoid an elbow immediately at the flue outlet of the fireplace)</p> <p>- room is in negative pressure, increase fresh air supply</p>



## **15. ORDERING REPLACEMENT PARTS**

Contact your dealer or the factory for questions concerning prices and policies of replacement parts. Normally all parts can be ordered through your Napoleon dealer or distributor. When ordering replacement parts, always give the following information:

- |    |                                    |    |                         |
|----|------------------------------------|----|-------------------------|
| 1. | Model number of the appliance      | 3. | Part number             |
| 2. | Installation date of the appliance | 4. | Description of the part |
|    |                                    | 5. | Finish                  |

## 16. REPLACEMENT PARTS LIST

		PART NUMBER	QTY
1	Zero Clearance Kit	GI-600	1
2	Large curved log, bottom	G-501	1
3	Large straight log, top	G-502	1
4	Small straight log, right	G-503	1
5	Small straight log, left	G-504	1
6	Top and bottom louvre kit	GI-609	1
7	Burner assembly - Natural Gas	GI-10.5	1
8	Burner assembly - Propane	GI-10.84	1
9	Log set assembly complete	GL-606	1
10	Gas valve - Natural Gas (manual)	G-522	1
11	Gas valve - Natural Gas (remote)	G-522A	1
12	Gas valve - Propane Gas (manual)	G-522B	1
13	Gas valve - Propane Gas (remote)	G-522C	1
14	Main Burner Orifice - Natural Gas #44 DMS	G-523	1
15	Main Burner Orifice - Propane Gas # 55 DMS	G-524	1
16	Pilot Orifice - Natural Gas	WS-455-5	1
17	Pilot Orifice - Propane	WS-455-6	1
18	Piezo Igniter	G-525	1
19	Thermocouple	G-526	1
20	Thermopile	G-526A	1
21	Pilot Assembly - Natural Gas	GI-627	1
22	Pilot Assembly - Propane Gas	GI-627A	1
23	Remote Switch Kit	G-529	1
24	Replacement Blower Kit	GA-551	1
25	Variable Speed Switch Kit	KB-35	1
26	Outside Air Kit	111-KT	1
27	Fresh Air Adapter Collar	GZ-103	1