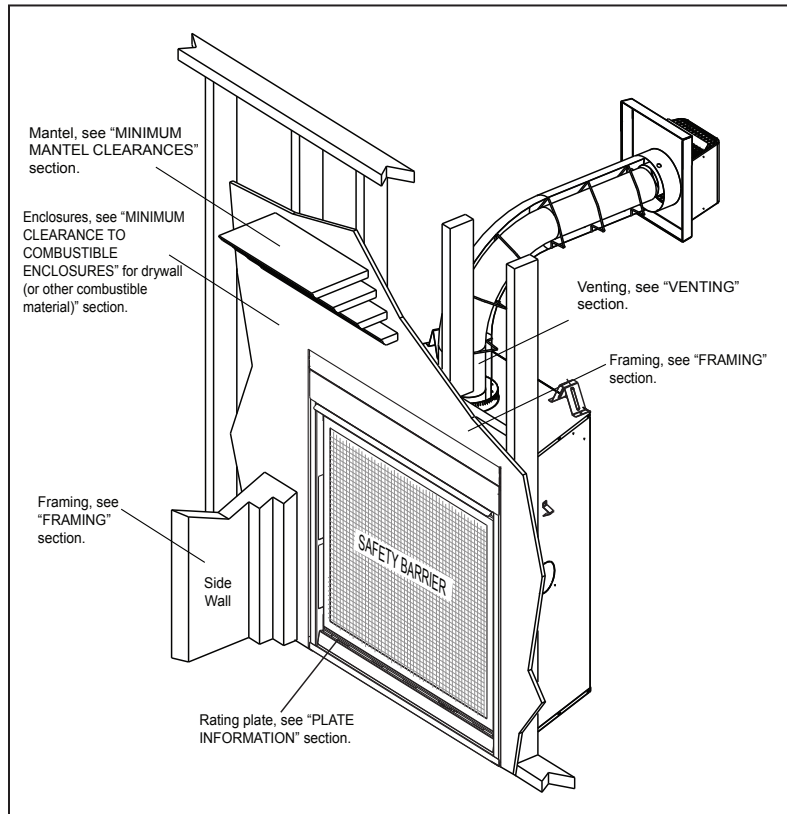


HIGH DEFINITION™ 40 DIRECT VENT GAS FIREPLACE

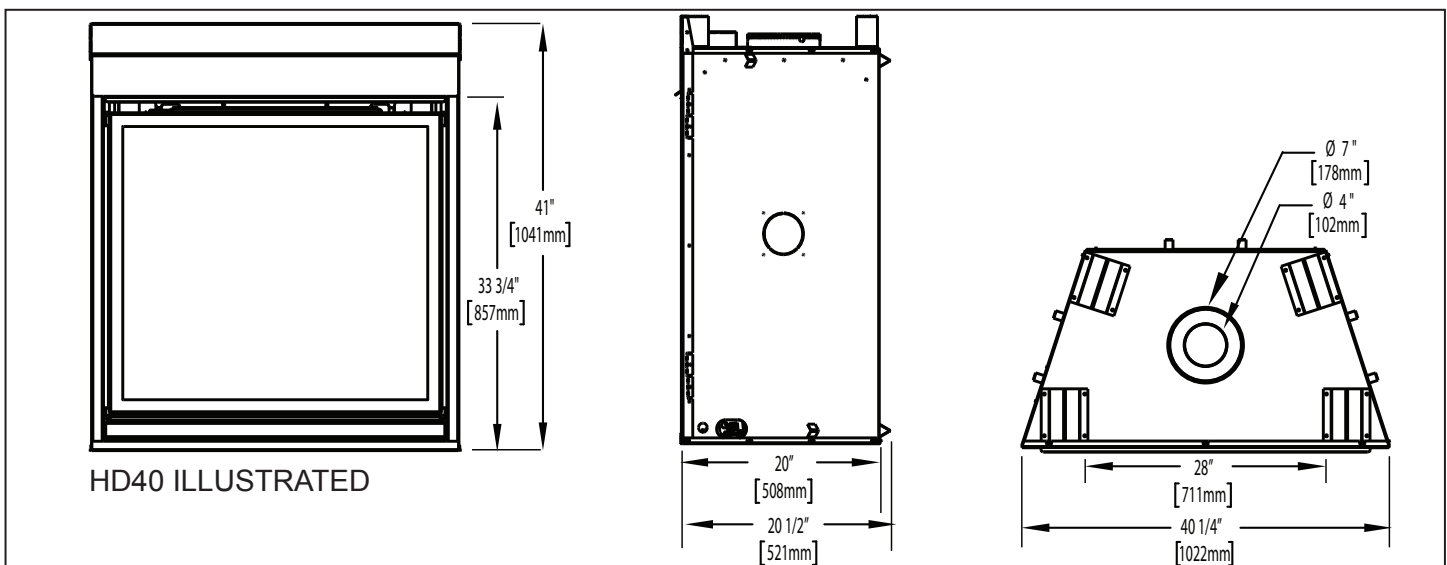
Specifications

Model	BTU	Width		Height		Depth		Glass
		Actual	Framing	Actual	Framing	Actual	Framing	
HD40	27,000	40 1/4"	40 3/4"	41"	41 1/4"	20 1/2"	20 3/4"	28 X 36 1/32"

Overview



Dimensions



HIGH DEFINITION™ 40 DIRECT VENT GAS FIREPLACE

Framing & Clearances

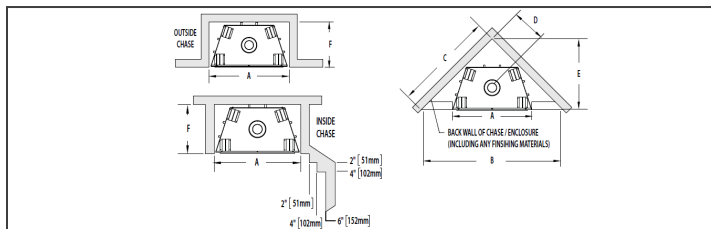
Minimum Fireplace Clearances

COMBUSTIBLE FRAMING:	
Sides, back, bottom and top of the appliance	0" to stand offs
COMBUSTIBLE FINISHING:	
Sides, Bottom and Top	1 1/4" (32 mm) to sides, 0" to bottom, 7 3/8" (187 mm) to top of the appliance
Enclosure Top	70" (1778mm) from the bottom of the appliance
Recessed Depth	20" (508mm)
Sides and bottom of the vent pipe	1" (25mm)
Top of vent pipe	2" (51mm)
Ceiling	62" (1575mm) from the bottom of the appliance

* **HORIZONTAL VENT SECTIONS:** A minimum clearance of 1" (25mm) at the bottom and sides and 2" (51mm) at the top of the vent pipe in all horizontal runs to combustibles is required except for clearances in appliance enclosures. Horizontal vent sections within enclosures require a minimum clearance of 9" (229mm) at the top of the vent pipe. See "MINIMUM CLEARANCE TO COMBUSTIBLE ENCLOSURES" section. Use firestop spacer W010-1777 (supplied) where vent pipe penetrates combustible walls.

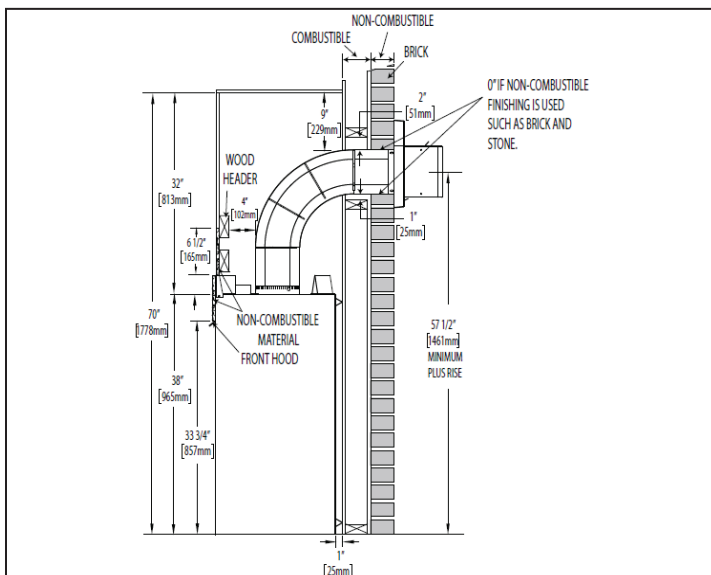
* **VERTICAL VENT SECTIONS:** A minimum clearance of 1" (25mm) all around the vent pipe on all vertical runs to combustibles is required except for clearances in appliance enclosures. Vertical vent sections within enclosures require a minimum clearance of 4" (102mm) to the sides of the vent pipe. See "MINIMUM CLEARANCE TO COMBUSTIBLE ENCLOSURES" section. Use firestop spacer W500-0367 (not supplied) where vent pipe penetrates combustible ceilings or floors.

Appliance Location



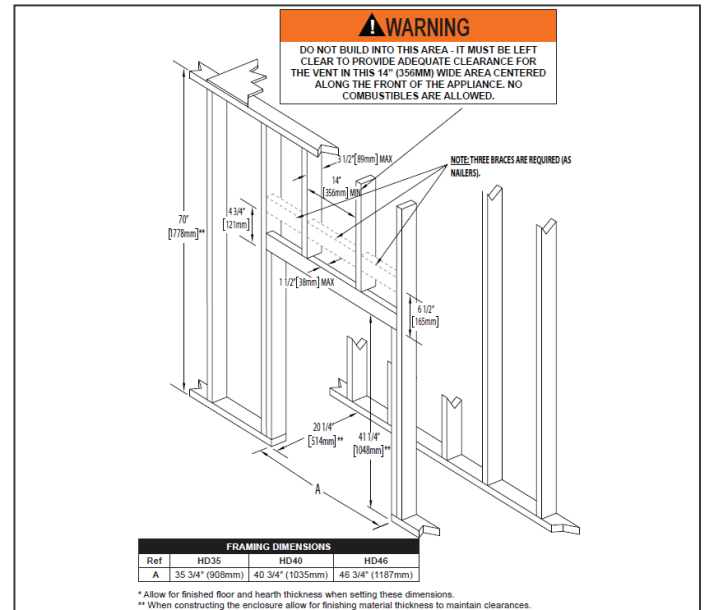
MINIMUM ENCLOSURE CLEARANCES			
Ref	HD35	HD40	HD46
A	35 3/4" (908mm)	40 3/4" (1035mm)	46 3/4" (1187mm)
B	61 1/2" (1562mm)	66 1/2" (1689mm)	72 1/2" (1842mm)
C	43 1/2" (1105mm)	47" (1194mm)	51 1/4" (1302mm)
D	14 13/16" (376mm)	16 9/16" (421mm)	18 11/16" (475mm)
E	30 3/4" (781mm)	33 1/4" (845mm)	36 1/4" (921mm)
F	20 3/4" (527 mm)	20 3/4" (527 mm)	20 3/4" (527 mm)

Wall Penetration

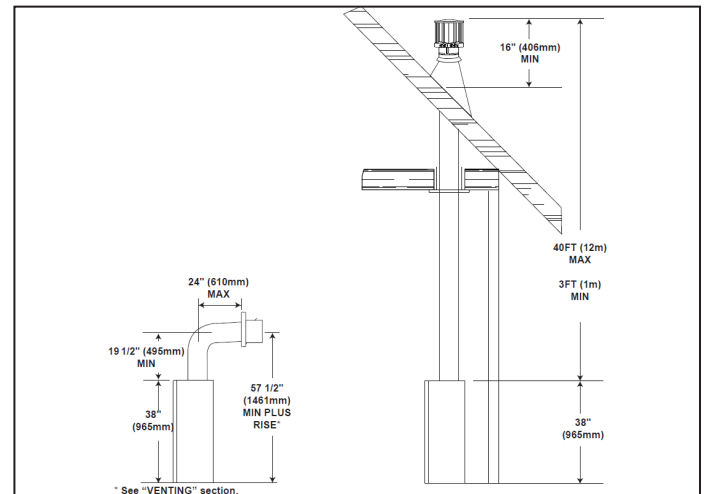


Product information provided is not complete and is subject to change without notice. Please consult the installation manual for the most up to date installation information.

Framing Dimensions



Minimum Vertical Vent Rise



Combustible Mantel Clearances

