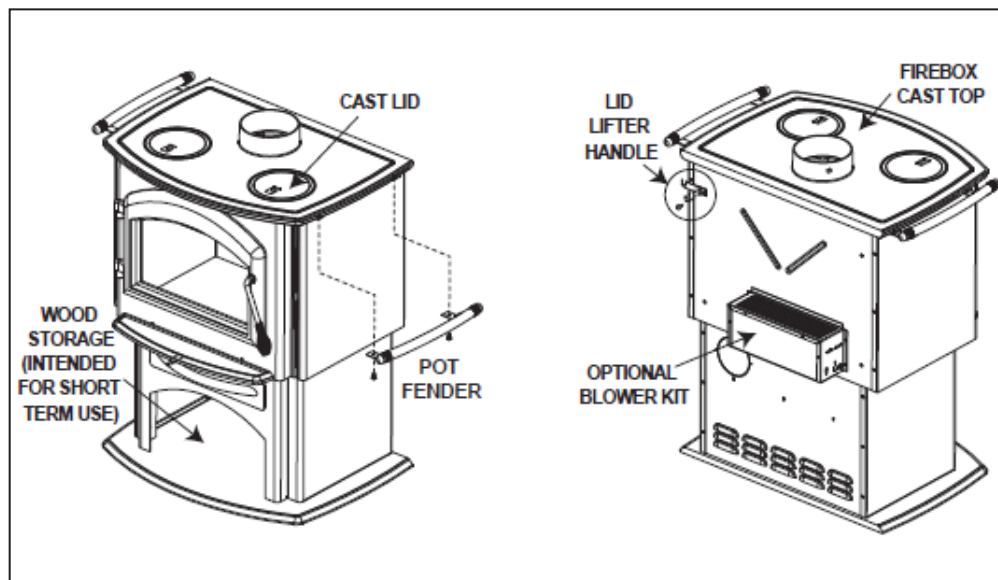


WOOD GOURMET™ 1150 WOOD STOVE

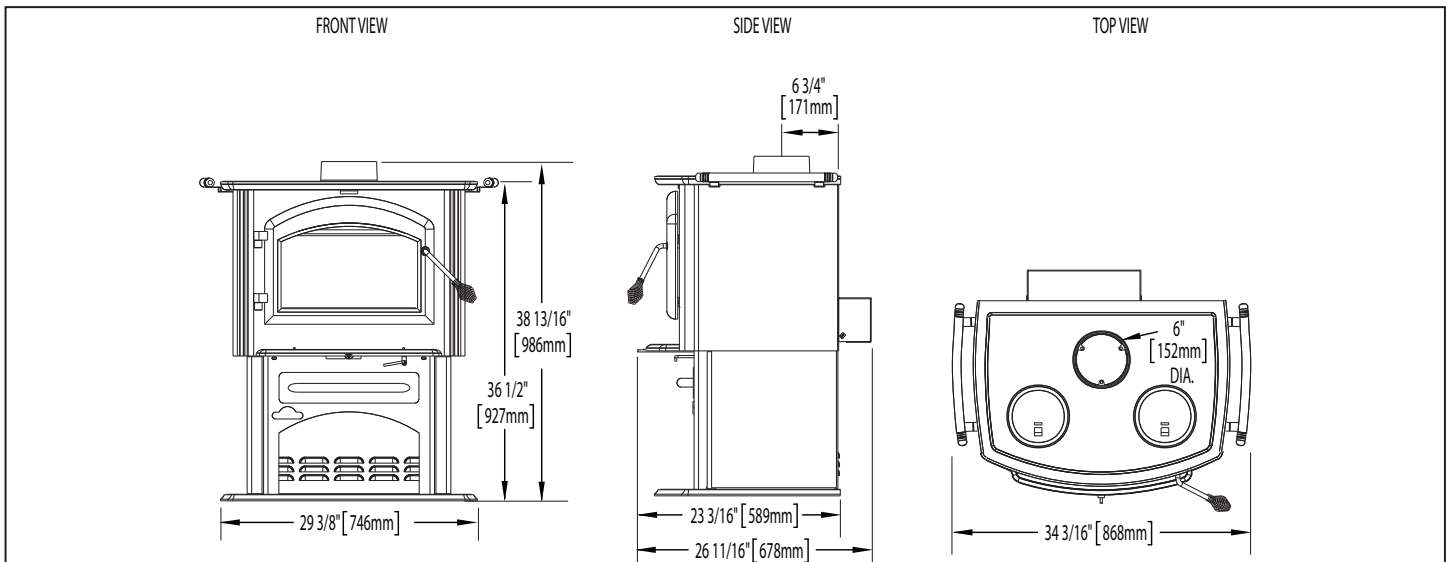
Specifications

Model	BTU	Width	Height	Depth	Capacity	Glass
1150	55,000	29 3/8	36 1/2	23 3/16	1.7 cubic feet	10 1/2 X 16 1/4

Overview



Dimensions



WOOD GOURMET™ 1150 WOOD STOVE

Clearances

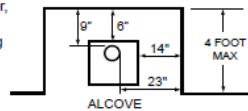
Minimum Clearance To Combustibles

	SINGLE WALL CONNECTOR			DOUBLE WALL CONNECTOR		
	1100 / 1150	1400 / 1450	1900	1100	1400 / 1450	1900
SIDEWALL (A)	12" (305mm)	12" (305mm)	22" (559mm)	10" (254mm)	10" (254mm)	22" (599mm)
SIDEWALL TO FLUE (B)	21" (533mm)	21" (533mm)	21" (533mm)	19" (483mm)	19" (483mm)	19" (483mm)
BACKWALL (C)	10" (254mm)	12" (305mm)	12" (305mm)	6" (152mm)	6" (152mm)	12" (305mm)
BACKWALL TO FLUE (D)	13" (330mm)	16.5" (419mm)	16.5" (419mm)	9" (229mm)	9" (229mm)	16.5" (419mm)
CORNER (E)	6" (152mm)	6" (152mm)	8" (203mm)	2" (51mm)	4" (102mm)	8" (203mm)
CEILING (F)	84" (2136mm)	84" (2136mm)	84" (2136mm)	84" (2136mm)	84" (2136mm)	84" (2136mm)

Clearances can be reduced with shielding acceptable to local authorities. Reduced installation must comply with NFPA 211 or CAN/CSA-B365.
Clearances are unable to be reduced for the 1150 by using double wall pipe.

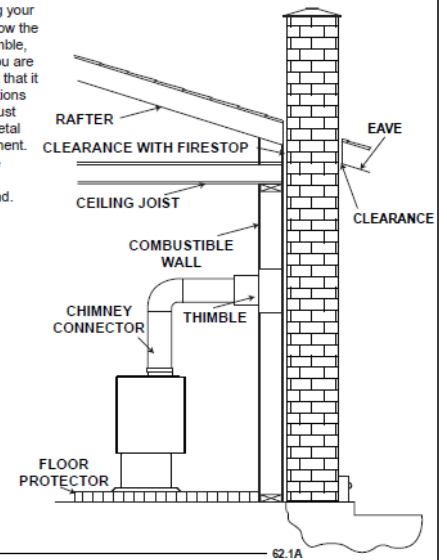
ALCOVE INSTALLATION

1100 series only may be installed, using a listed double wall connector, such as Security DL6 in Canada, the Simpson DuraVent Plus DVL in the USA or an equivalent double wall connector, into an alcove having a depth of no more than 4 feet and a height of at least 7 feet. The minimum clearances are as shown.



Vent Through Existing Masonry

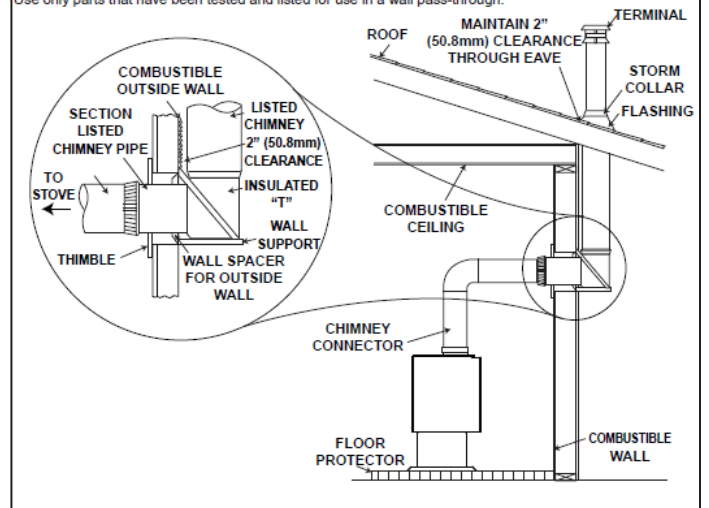
You can also install your appliance using your existing masonry chimney. To do so, follow the guidelines below. Use a factory-built thimble, or construct your own brick thimble. If you are using a masonry chimney, it is important that it be built in compliance with the specifications of the Building Code in your region. It must normally be lined with fire clay bricks, metal or clay tiles sealed together with fire cement. (Round flues are the most efficient). The maximum flue size is 8" (203.2mm) x 8" (203.2mm) square or 6" (152.4mm) round. For greater diameters it is necessary to install a 6" stainless steel liner.



Vent Through the Wall

If possible, design the installation so that the connector does not pass through a combustible wall. If during your installation you must pass through a combustible wall, check with your building inspector before you begin. Also check with the chimney connector manufacturer for any specific requirements.

Consult with your dealer regarding special connection components available for use for wall pass-throughs. Use only parts that have been tested and listed for use in a wall pass-through.



Product information provided is not complete and is subject to change without notice. Please consult the installation manual for the most up to date installation information.

Vent Through the Ceiling

- Move the stove into position with the flue centered, midpoint between two joists to prevent having to cut them. Use a plumb bob to line up the center.
- Cut and frame an opening in the ceiling to provide a 2" (50.8mm) clearance between the outside of the chimney and any combustible material. **DO NOT FILL THIS SPACE WITH ANY TYPE OF MATERIAL.**
Nail headers between the joist for extra support. Firestop spacers must be placed on the bottom of each framed opening in any floor or ceiling that the chimney passes through. If your chimney system is enclosed within the attic area, a rafter radiation shield is required.
- Hold a plumb bob from the underside of the roof to determine where the opening in the roof should be. Cut and frame the roof opening to maintain proper 2" (50.8mm) clearances.

NOTE: The chimney must be supported at the ceiling or roof so that its weight does not rest on the appliance and must comply with its manufacturer's instructions.

