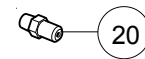
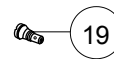
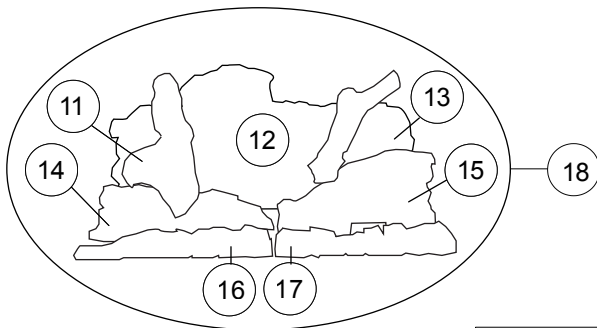
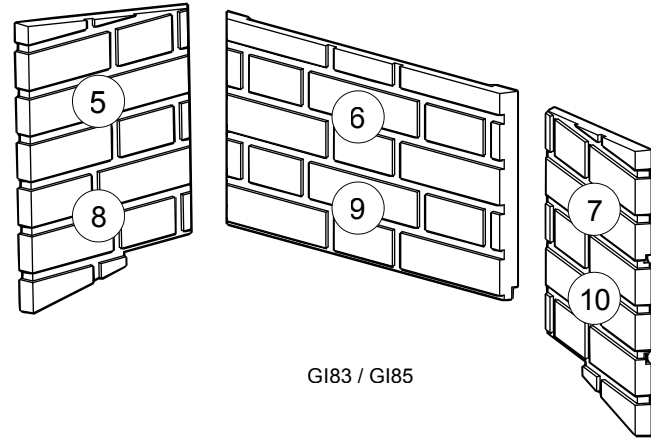
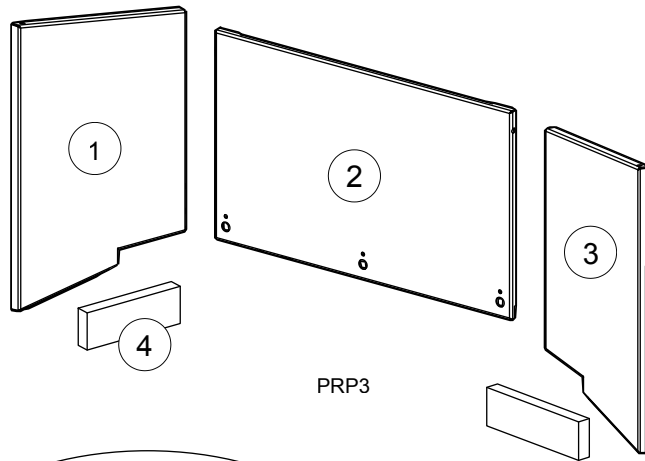


# IR3-1 OVERVIEW (Page 2)



GL-676

ITEMS MAY NOT APPEAR EXACTLY AS ILLUSTRATED

| REF. NO. | PART NUMBER | DESCRIPTION                               |
|----------|-------------|---|
| 1        | W500-0615   | LEFT SIDE PORCELAIN PANEL (PRP3)          |
| 2        | W500-0617   | REAR PORCELAIN PANEL (PRP3)               |
| 3        | W500-0616   | RIGHT SIDE PORCELAIN PANEL (PRP3)         |
| 4        | W500-0616   | CERAMIC SIDE PANELS (X2) (PRP3)           |
| 5        | W475-0797   | NEW PORT LEFT SIDE BRICK PANEL (GI83)     |
| 6        | W475-0799   | NEW PORT REAR BRICK PANEL (GI83)          |
| 7        | W475-0798   | NEW PORT RIGHT SIDE BRICK PANEL (GI83)    |
| 8        | W475-0815   | OLD ENGLISH LEFT SIDE BRICK PANEL (GI85)  |
| 9        | W475-0813   | OLD ENGLISH REAR BRICK PANEL (GI85)       |
| 10       | W475-0814   | OLD ENGLISH RIGHT SIDE BRICK PANEL (GI85) |
| 11       | W135-0468   | LEFT CROSSOVER LOG                        |
| 12       | W135-0470   | REAR LOG                                  |

| REF. NO. | PART NUMBER | DESCRIPTION                               |
|----------|-------------|---|
| 13       | W135-0467   | RIGHT CROSSOVER LOG                       |
| 14       | W135-0466   | LEFT SIDE FRONT LOG                       |
| 15       | W135-0465   | RIGHT SIDE FRONT LOG                      |
| 16       | W135-0471   | LEFT SIDE CHARCOAL LOG                    |
| 17       | W135-0469   | RIGHT SIDE CHARCOAL LOG                   |
| 18       | GL-676      | LOG SET                                   |
| 19       | W530-0037   | MIN. RATE SCREW REGULATOR (LP CONVERSION) |
| 20       | W456-0055   | ORIFICE # 55 (LP CONVERSION)              |
| 21       | GI83        | DECORATIVE NEWPORT BRICK PANEL KIT        |
| 22       | GI85        | DECORATIVE OLD ENGLISH BRICK PANEL KIT    |
| 23       | PRP3        | PORCELAIN REFLECTIVE RADIANT PANEL KIT    |