



FIREPLACES & GRILLS

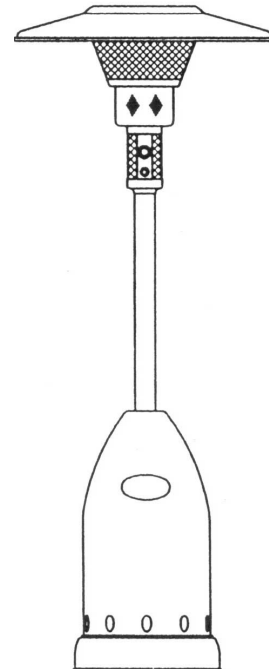
TERRACE AND PATIO HEATER

USER INSTALLATION AND OPERATION GUIDE

INDEX

General and specifications	11
Security and caution	12, 13
Tools and accessories required	13
Assembly instructions	14, 15 & 16
Verifying the connections	17

Warranty info



Carefully read this guide and all safety information
before assembling and setting up the heater

**THIS APPLIANCE IS APPROVED
FOR OUTDOOR USE ONLY**



Napoleon Appliance Corporation
214 Bayview Dr. Barrie, ON,
Canada L4N 4Y8,
TEL: 705-726-4278

READ SAFETY REQUIREMENTS BEFORE OPERATION

1. The installation must conform with local codes or in the absence of local codes, with either the National Fuel Gas Code, ANSI Z223.1, or CSA B149.1, Propane Installation Code.
2. This outdoor gas appliance is not intended to be installed in or on recreational vehicles and/or boats.
3. Maintain proper clearances from combustible construction top 45 CM, sides 60 CM.
4. Inspect the hose before each use of the outdoor gas appliance. If it is evident there is excessive abrasion or wear, or the hose is cut, it must be replaced prior to this outdoor gas appliance being put into operation. The replacement hose assembly must be that specified by the manufacturer.
5. Properly locate the gas hose, keep out of pathways where people may trip over it or in areas where the hose may be subject to accidental damage.
6. Maintenance Instruction
 - Keep outdoor gas appliance area clear and free from combustible materials, gasoline and other flammable vapors and liquids.
 - Do not obstruct the flow of combustion and ventilation air.
 - Keep the ventilation opening(s) of the cylinder enclosure free and clear from debris.
 - Cleaning this outdoor gas appliance, including special surfaces, with recommended cleaning agents, if necessary.
 - Check and clean burner tube to remove any insects and insect nests. Blocked burner tube can lead to a fire.
 - Maintain adequate clearance around air openings into the combustion chamber, clearances from combustible material. Air passages to the burner & combustion chamber must be open and clear.
 - Certain materials or items, when stored under the appliance, will be subjected to radiant heat and could be seriously damaged.

WARNING:

1. **Children and adults should be alerted to the hazards of high surface temperature and should stay away to avoid burns or clothing ignitions.**
2. **Young children should be carefully supervised when they are in the area of the heater.**
3. **Clothing or other flammable materials should not be hung from the heater, or placed on or near the heater.**
4. **Any guard or other protective device removed for servicing, the appliance must be replaced prior to operating.**
5. **Installation and repair should be done by a qualified service person. The heater should be inspected before use and at least annually by a qualified service person. More frequent cleaning may be required as necessary. It is imperative that control compartment, burners and circulating air passageway of the appliance be kept c**

SAFETY RULES FOR OUTDOOR GAS APPLIANCE

1. LP-gas supply cylinder to be used must be constructed and marked in accordance with the specifications for LP-gas cylinders of the U.S. Department of Transportation(DOT) Cylinders, or Spheres and Tubes for the Transportation of Dangerous Goods, CAN/CSA-B339.
2. The gas supply piping and electrical supply (if applicable) shall be done in accordance with all local and applicable codes. Only those licensed and qualified in the installation of gas-fired appliances should be engaged to install this appliance.
3. This gas appliance shall be used outdoors and shall not be used in a building, garage or any other enclosed area. When used in indoor or enclosed area may cause personal injury or property damage.
4. If this outdoor gas appliance is not in use, the gas must be turned off at the supply cylinder.
 - Storage of this outdoor gas appliance indoors is permissible only if the cylinder is disconnected and removed.
 - Cylinders must be stored outdoors in a well-ventilated area out of the reach of children. Disconnected cylinders must have threaded valve plugs tightly installed and must not be stored in a building, garage or any other enclosed area.
5. The pressure regulator and hose assembly supplied with the outdoor gas appliance must be used.
Replacement pressure regulators and hose assemblies must be those specified by the manufacturer.
6. The cylinder must be provided with a shutoff valve terminating in an LP-gas supply cylinder valve outlet specified, as applicable, for Connection No. 510 in the Standard for Compressed Gas Cylinder Valve Outlet and Inlet Connections, ANSI/CGA-V-1.
7. The cylinder supply system must be arranged for vapor withdrawal.
8. The cylinder used must include a collar to protect the cylinder valve.

This appliance is an infrared transportable heater.

The burner is controlled and adjusted by the gas control knob.

Gas supply is controlled by the valve on the gas cylinder.

The burner is made of stainless steel. Heat diffusion is assisted by the reflector above.

Technical specification:

- Operating pressure : 11" W.C.
- Maximum output : 50.000 btu/h
- Minimum output : 25.000 btu/h
- Gas consumption at HIGH: 1 kg/h
- Approx. weight ; 27 kg
- Burner orifice size : 1.85 mm

FOR YOUR SAFETY

1. If you smell gas :
 - a. Close gas supply at cylinder valve.
 - b. Extinguish all open flame
 - c. Proceed to a leak test
 - d. If bubbles are detected, retighten connections. If no leaks are detected, open gas valve at cylinder and verify if you smell gas.
 - e. If you still smell gas, shut-off heater completely and gas valve at cylinder. Call the retailer where you purchased the heater or contact a gas appliance service center.
2. Never store or handle gas, or any other flammable vapors or liquids in the vicinity of your Patio Heater or any gas appliance.

CAUTION:

Faulty installation, modifications, repairs or maintenance to the appliance may be the cause of injury or damage to property.

Carefully read this User Guide before assembling and setting up the heater.

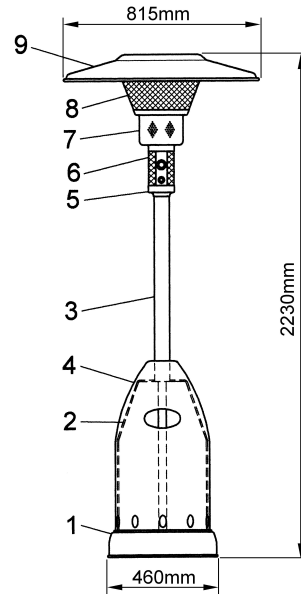
Keep this guide for future reference.

CAUTION:

- DO NOT operate the heater in an explosive environment. Keep this appliance away from areas where gas, or other flammable liquids are stored.
- Before use, verify that no parts are damaged, inspect gas hose.
- Never modify this appliance in anyway,.
- Never use the heater without the reflector.
- Minimum clearance from combustibles are seen in figure 12 must be adhered to.
- Always place heater on a leveled, stable and hard surface.
- Only use this heater outdoors.
- Never clean with abrasive, corrosive or flammable cleaners.
- Do not paint the heater or some of its parts.
- When fully assembled proceed to a leak test.
- A leak test must be performed before operating the appliance.
- NEVER LEAK TEST with an open flame or while smoking.
- The gas cylinder must be closed at all times when not using the heater.
- Children and adults should be made aware of hot surfaces on the heater.
- Clothing and other accessories or object are not to be hung on the heater, laid on or near it to dry.
- Do not obstruct the ventilation opening (hand hole) on cylinder cover.
- Installation, maintenance and repair of this heater should always be performed by a qualified gas technician.

PARTS LIST

- 1 Base
- 2 Cylinder cover
- 3 Ventilation opening
- 4 Post
- 5 Ignitor
- 6 Gas control
- 7 Burner assembly
- 8 Flame screen
- 9 Reflector



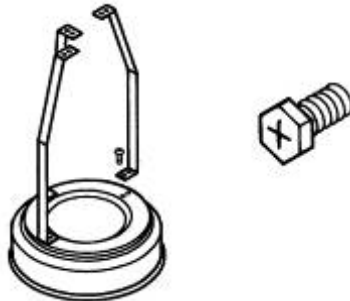
TOOLS AND EQUIPMENT REQUIRED

- 10 and 13mm wrench,
- Philips screwdriver, medium blade
- Leak test solution: MIX 50/50 water and soap
- 1 Propane cylinder (not supplied), with QCC 1 valve

ASSEMBLY INSTRUCTIONS

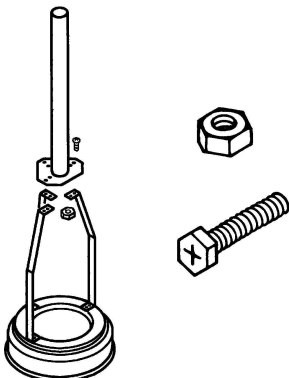
A.

Fix the 3 vertical supports to the base using the 3 bolts M8 x 15.



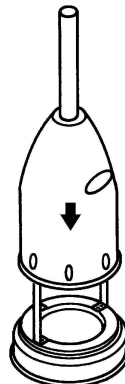
B

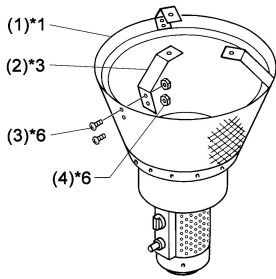
Fasten post to the vertical supports with 6 bolts M6 X 35 and 6 nuts M6.



C

Slide cylinder cover on post.



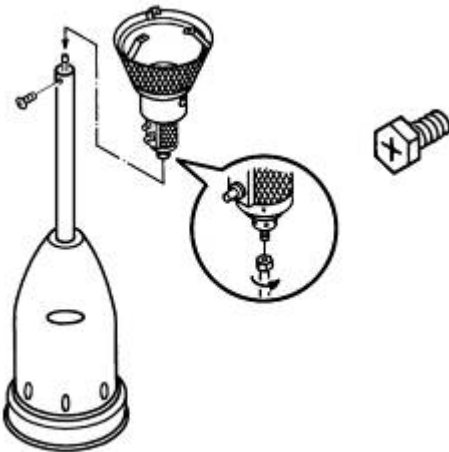


Before assembling the burner head on post, please fix the 3 supported brackets onto burner head for assembling reflector

D

Slide hose through bottom of post and connect to burner head.

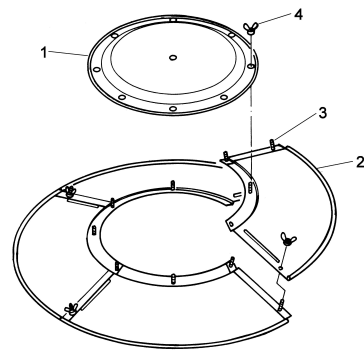
Then fasten burner on post with the 4 Philips mechanical screws M6x10mm.



E

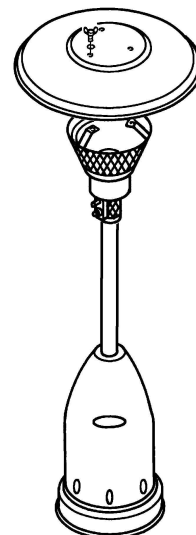
Sectional reflector option ONLY

Assemble the reflector pieces to the middle piece using the small washers and the acorn nuts.



F

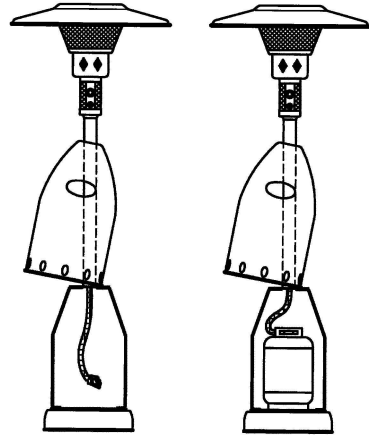
Place a steel washer over each bolt on the burner top (figure 8)
Lay reflector over the burner top bolts
add another steel washer to each bolt.



G

Install a full gas cylinder on the base.
Connect the gas regulator hose to the QCC1
Cylinder valve by turning the knob clockwise
manually.

Do not use a tool, tighten firmly by hand.
Replace cylinder cover.



LEAK TEST

Now that the heater is assembled, for your safety you must perform a leak test of all connections and hoses.

Mix in a spray bottle equal parts of water and soap.

4. Ensure that the heater gas control knob is fully closed by turning completely clockwise
5. Open cylinder valve.
6. Apply generously the solution to all connections and hoses.

If you detect bubbles, there is a leak. Close cylinder valve completely. Retighten the leaking connection and repeat leak test process.

If the leak cannot be repaired permanently, close cylinder valve completely and contact the customer care department at 1 – 866 – 820 – 8686 or a qualified gas technician.

A SAFE LOCATION FOR THE HEATER

CAUTION

When objects are left under a heater in operation, they will be subject to radiant heat and might be damaged.

- The principal application of this heater is to provide heat to pool and spa areas, terraces, work areas, etc.

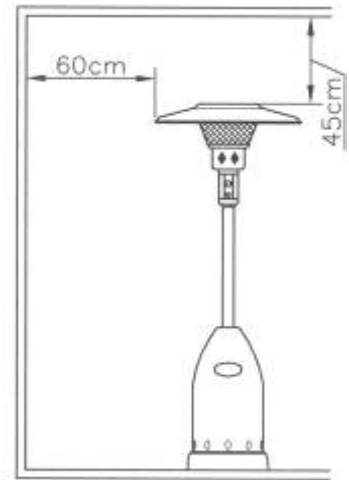
This heater is approved for outdoor use only.

- Provide fresh air ventilation at all times
- Respect minimum clearances to combustibles as shown in figure 11 below.
- Install heater on a leveled, solid and stable ground.
- Do not install in an explosive environment. Keep away from areas from where gas, vapors or flammable liquids are stored or used.
- In case of high winds, shut-off completely the heater and the cylinder gas valve. Remove reflector dome.
- Do not move the heater when hot.

CLEARANCES FROM COMBUSTIBLES

Respect clearances as shown:

- Sides of reflector : 60 cm
- Above reflector : 45 cm



OPERATION

TO LIGHT :

1. From 'OFF' position, depress knob, turn 90° counter-clockwise and hold.
2. Press the igniter until flame is established.
3. Release the knob and check that the flame stays lit.
4. If the flame goes out, wait 5 minutes then repeat steps 1 & 2 above.
5. For maximum temperature, turn knob fully counter-clockwise.

TO TURN OFF :

1. Turn the knob clockwise to the stop position.
2. Then depress knob and turn fully clockwise to completely shut off the gas supply.

STORAGE

When heater is not in use for a prolonged period of time, remove gas cylinder. Verify that the gas valve is closed tightly.

Do not store the gas cylinder indoors.

Store gas cylinder in a well ventilated area.

PREVENTIVE CARE AND MAINTENANCE

Once a year, the heater should be inspected for debris, insects, or spider webs that could obstruct the burner. The burner area is likely to attract spiders. This may damage the burner if it is not kept clean of debris.

HAVE HEATER INSPECTED IF

- You smell gas combined with yellow tipped flames on burner.
- Heater does not provide expected heat capacity.
- Burner makes little explosion sounds while operating.
This sound is normal when turning off the heater.

PRECAUTIONS

- Verify periodically for leaks in the system, or immediately when you smell gas.
- In case a leak is detected, put out all open flame in the area.
- Never leak test while smoking.

- If you cannot repair a leak, turn off gas supply at the cylinder valve and contact the retailer where you purchased the heater or a qualified technician.
- Do not alter or modify in any way.
- The installation of this appliance should be done by a certified gas technician in accordance with all local, building and municipal codes.
- Contact the manufacturer at 1 – 866 – 820 – 8686 for replacement parts.

Limited Product Warranty

This product has a one year limited warranty, which covers workmanship and material quality. NAC warrants to the original purchaser only, that when this product is subject to normal use. It is free from defects in workmanship and materials for a period of one year from original date of purchase. This warranty does not cover damage caused by misuse, lack of maintenance, hostile environments, improper fuel/gas supply, wind/weather damage, damage or repairs related to spider or insect nesting, accidents or alterations. This warranty is non-transferable and may not be extended what so ever scratches, dents, corrosion or discoloring due to heat or damage from abrasive or chemical cleaners. NAC is not liable for any transportation costs, labor costs, or duties relating to the delivery or installation of replacement parts.

NAC reserve the right to have its representative inspect any product or part prior to honoring any warranty claim. Warranty is limited to providing a replacement part or a repair part, at our option, during the warranty period. Any work or repair of this product must be performed by qualified service personnel. The warranty period is not extended by the repair or replacement. NAC is not responsible for the installation, labor or any other expenses associated with the re-installation of a warranted part.

The bill of sale or copy will be required together with the serial and model numbers When making any warranty claims. Do not return parts to our address without first Obtaining a return authorization number. The customer service department is available between 9AM and 5PM(EST).

NAC Customer Care
214 Bayview Drive
Barrie, ON
Canada, L4N 4Y8
1 – 866 – 820 – 8686
1 – 705 – 727 – 4282
E-mail: wecare@napoleonproducts.com

This warranty may give you specific legal rights that vary by state or province.