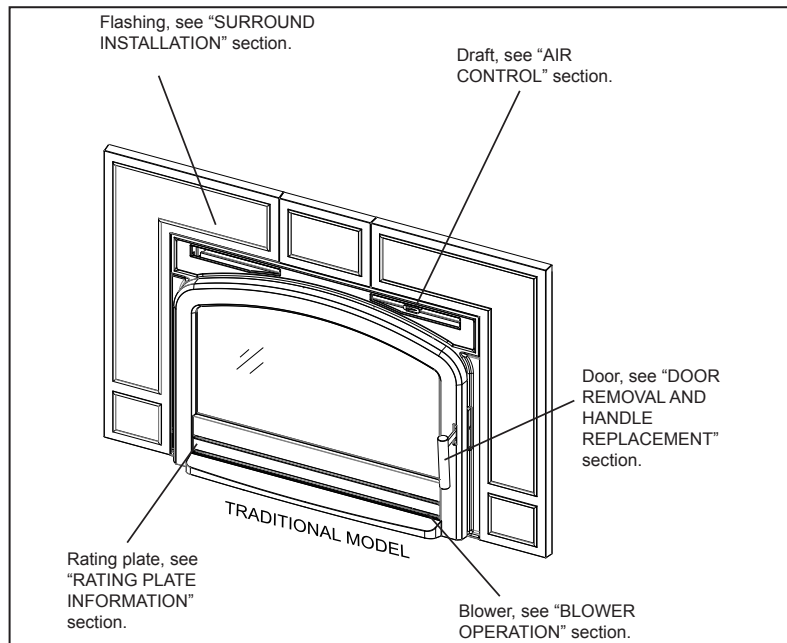


OAKDALE™ WOOD BURNING INSERT

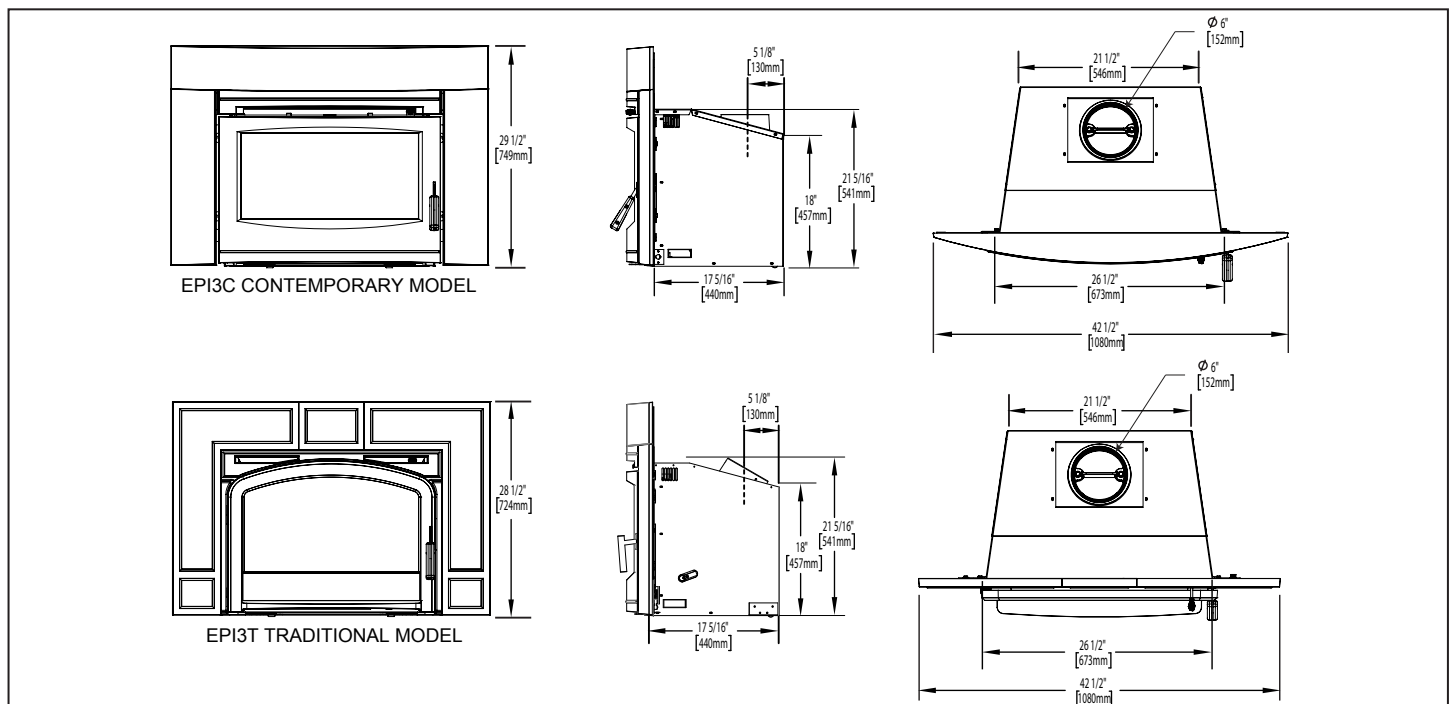
Specifications

Model	BTU	Width		Height		Depth		Capacity	Glass
		Unit	Chamber	Unit	Chamber	Unit	Chamber		
EPI3C	55,000	26 1/2"	20 7/8"	21 5/16"	11 1/2"	17 5/16"	13 3/4"	1.8 Cubic Feet	12 X 25
EPI3T	55,000	26 1/2"	20 7/8"	21 5/16"	11 1/2"	17 5/16"	13 3/4"	1.8 Cubic Feet	12 X 25

Overview



Dimensions



OAKDALE™ WOOD BURNING INSERT

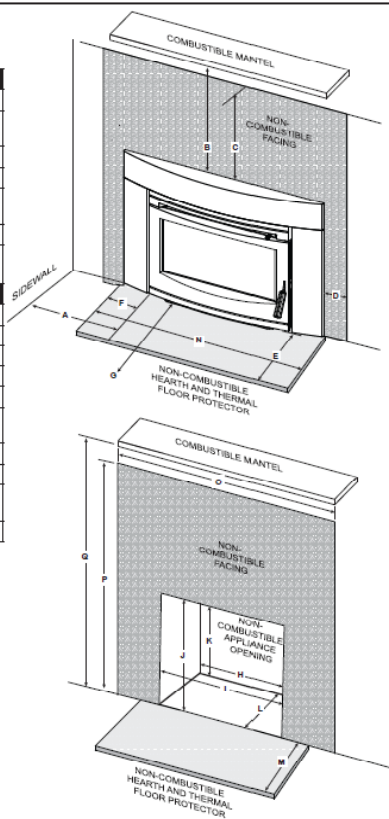
Clearances

Minimum Clearances to Combustibles

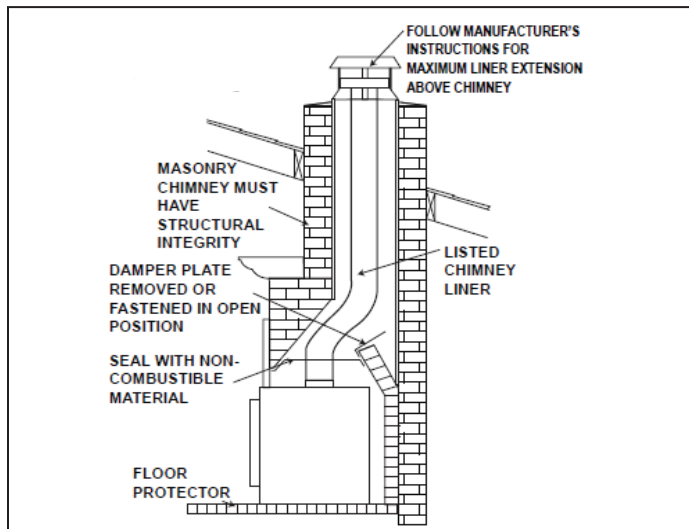
MINIMUM CLEARANCES		
A	Sidewall	12" (305mm)
B	Mantel	16" (406mm) 12" (305mm) Projection
C	Top facing	16" (406mm)
D	Side facing	6" (152mm)
E	Hearth (front)	Canada 18" (457mm) US 16" (406mm)
F	Hearth (side)	8" (203mm)
G	In front of insert	48" (1219mm)
MINIMUM APPLIANCE OPENING		
H	Width (rear)	23" (584mm)
I	Width (front)	28" (711mm)
J	Height (front)	22" (559mm)
K	Height (rear)	19" (483mm)
L	Depth	18" (457mm)
M	Hearth depth	Canada 18" (457mm) US 16" (406mm)
N	Hearth width	46" (1168mm)
O	Facing width	54" (1372mm)
P	Facing height	46" (1168mm)
Q	Mantel	46" (1168mm)

HEARTH EXTENSION / FLOOR PROTECTION:

Must be non-combustible and extend in front of the insert 8" (203mm) on both sides with a minimum thickness of .500" (13mm), a thermal conductivity factor (K) 0.84 and resistance value (R) 0.59.

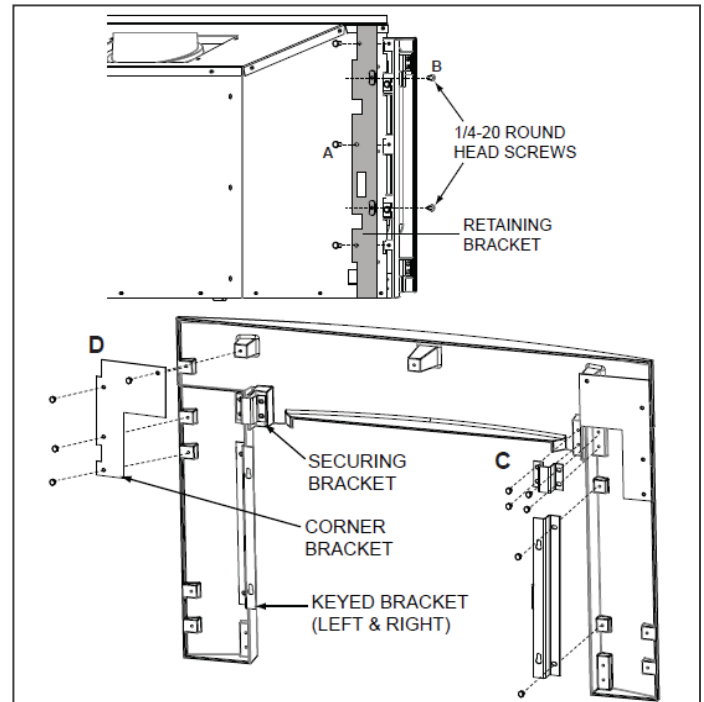


Typical Existing Masonry



Product information provided is not complete and is subject to change without notice. Please consult the installation manual for the most up to date installation information.

Surround Install Contemporary Cast



Surround Install Traditional Cast

